



Chipsmall Limited consists of a professional team with an average of over 10 year of expertise in the distribution of electronic components. Based in Hongkong, we have already established firm and mutual-benefit business relationships with customers from,Europe,America and south Asia,supplying obsolete and hard-to-find components to meet their specific needs.

With the principle of “Quality Parts,Customers Priority,Honest Operation,and Considerate Service”,our business mainly focus on the distribution of electronic components. Line cards we deal with include Microchip,ALPS,ROHM,Xilinx,Pulse,ON,Everlight and Freescale. Main products comprise IC,Modules,Potentiometer,IC Socket,Relay,Connector.Our parts cover such applications as commercial,industrial, and automotives areas.

We are looking forward to setting up business relationship with you and hope to provide you with the best service and solution. Let us make a better world for our industry!



Contact us

Tel: +86-755-8981 8866 Fax: +86-755-8427 6832

Email & Skype: info@chipsmall.com Web: www.chipsmall.com

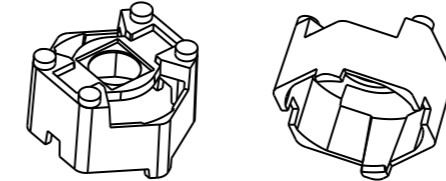
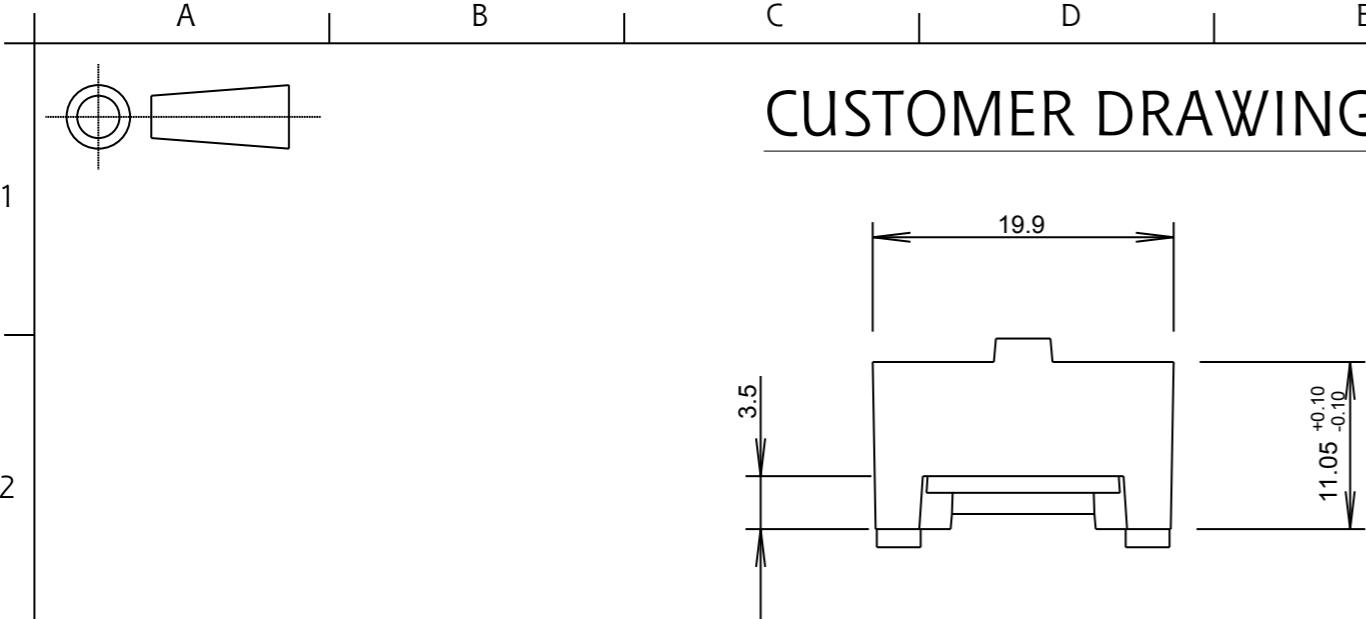
Address: A1208, Overseas Decoration Building, #122 Zhenhua RD., Futian, Shenzhen, China



CUSTOMER DRAWING

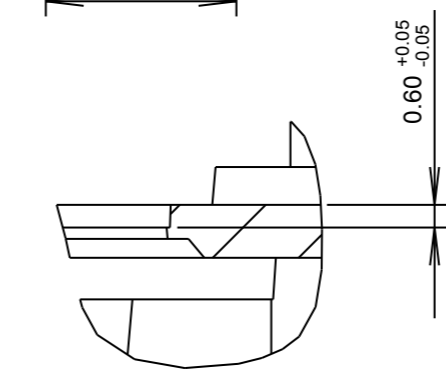
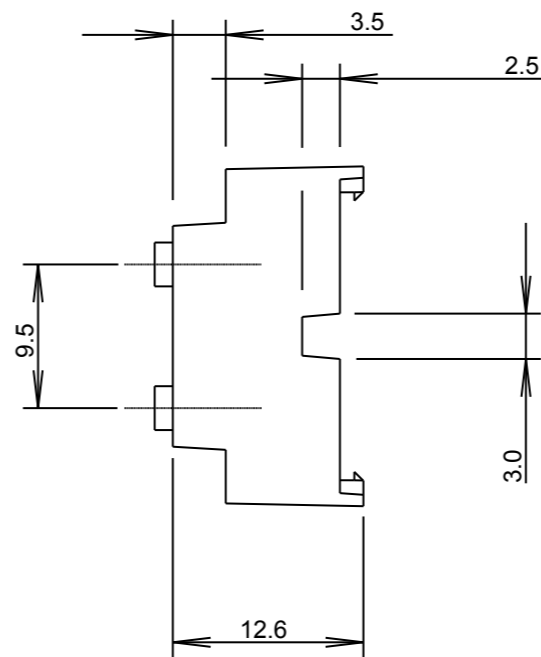
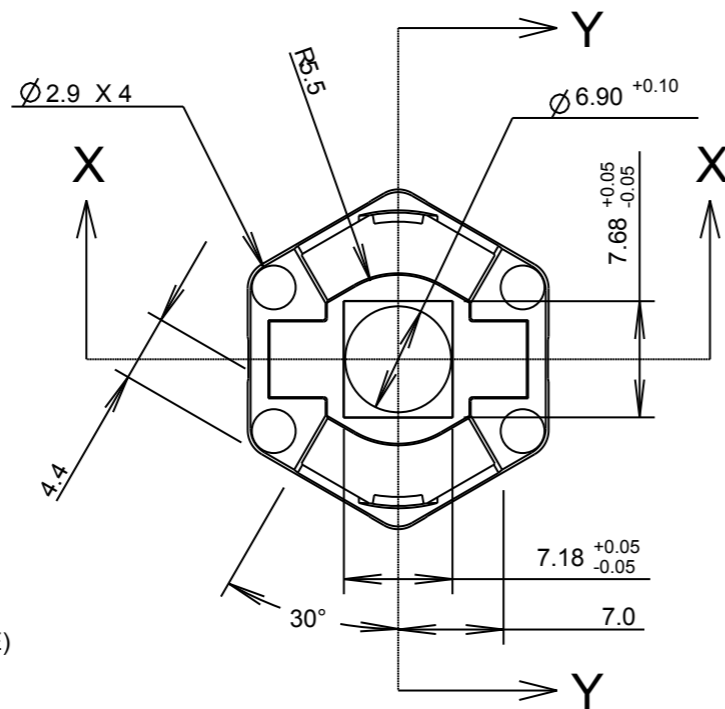
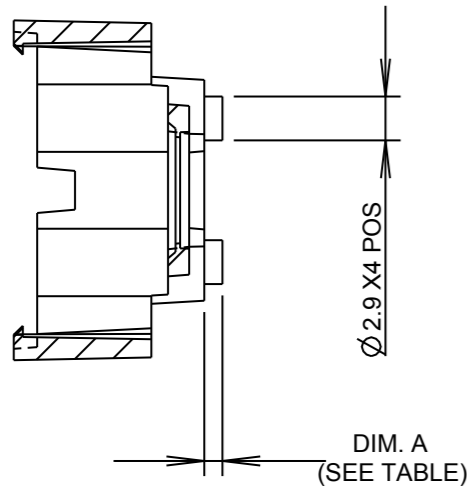
©2008 CARCLO
ALL DIMENSIONS IN mm

ISS.	DATE	E.C.N.	DESCRIPTION
1	21-Aug-07		FIRST ISSUE
2	23-May-08	05/08/1222	LED HOLE DIAMETER INCREASED FROM 6.8 TO 6.9. POSN REF. 4D. RECTANGULAR RECESS ADDED 7.18 x 7.68. POSN REF. 4D.
3	17-Jul-08	07/08/1228	TWO LUGS REMOVED FROM UNDER SIDE. POSN. REF. D4



3D VIEWS
SCALE 1:1

SECTION Y-Y



DETAIL B
SCALE 5:1

carclo
technical plastics
CARCLO TECHNICAL PLASTICS (SLOUGH) LTD.
111 BUCKINGHAM AVE, SLOUGH
SL1 4PF, ENGLAND
TEL: +44 1753 575011 FAX: +44 1753 811359
email: design@coil.co.uk

GENERAL TOLERANCES (UNLESS STATED)

LINEAR		ANGULAR	
X	+/- 0.25	X	+/- 1°
X.X	+/- 0.1	X.X	+/- 0.5°
X.XX	+/- 0.05	X.XX	+/- 0.1°

CUSTOMER

TITLE

20MM DIA LED OPTIC HOLDER
FOR CREE XR STAR BOARD

DRAWN

AJD

DATE

21-Aug-07

CHK'D

DATE

APP'D

DATE

SCALE

2:1

COIL PART No.

SEE TABLE

SIZE

A3

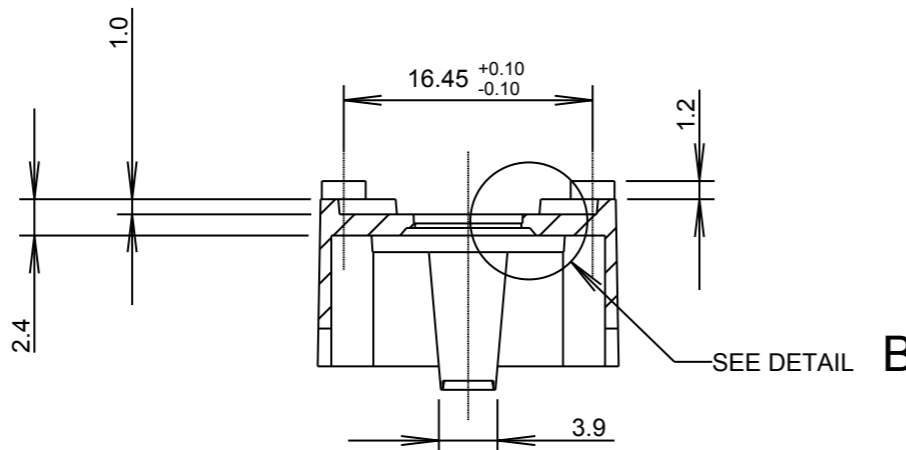
COIL DRG. No.

60489

SHEET

1 OF 1

PART No.	DIM. A	MATERIAL
10425	1.2	BLACK POLYCARBONATE
10426	1.2	CLEAR POLYCARBONATE
10427	1.2	WHITE POLYCARBONATE
10428	0.0	BLACK POLYCARBONATE
10429	0.0	CLEAR POLYCARBONATE
10430	0.0	WHITE POLYCARBONATE



SECTION X-X

SEE DETAIL B