



Chipsmall Limited consists of a professional team with an average of over 10 year of expertise in the distribution of electronic components. Based in Hongkong, we have already established firm and mutual-benefit business relationships with customers from,Europe,America and south Asia,supplying obsolete and hard-to-find components to meet their specific needs.

With the principle of “Quality Parts,Customers Priority,Honest Operation,and Considerate Service”,our business mainly focus on the distribution of electronic components. Line cards we deal with include Microchip,ALPS,ROHM,Xilinx,Pulse,ON,Everlight and Freescale. Main products comprise IC,Modules,Potentiometer,IC Socket,Relay,Connector.Our parts cover such applications as commercial,industrial, and automotives areas.

We are looking forward to setting up business relationship with you and hope to provide you with the best service and solution. Let us make a better world for our industry!



## Contact us

Tel: +86-755-8981 8866 Fax: +86-755-8427 6832

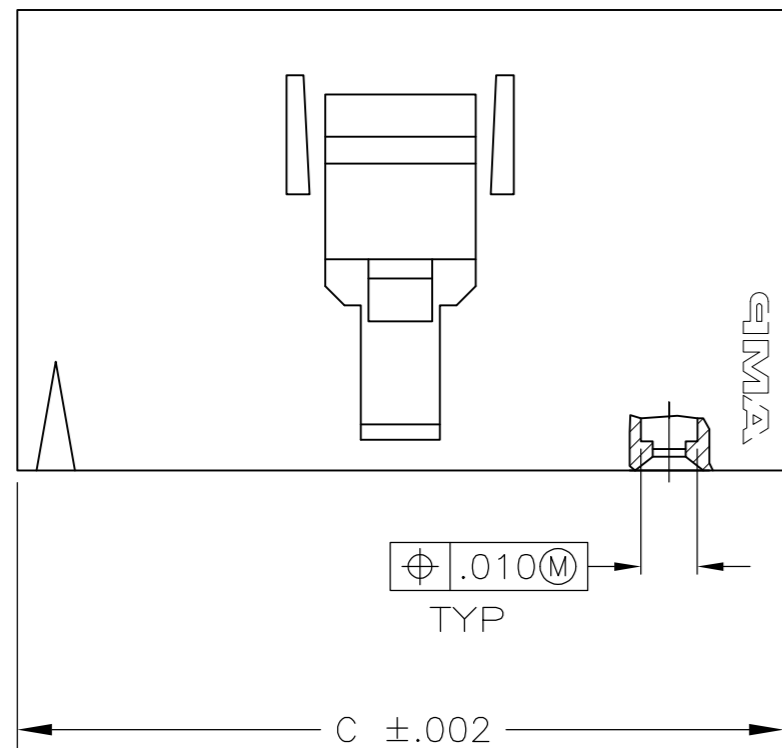
Email & Skype: info@chipsmall.com Web: www.chipsmall.com

Address: A1208, Overseas Decoration Building, #122 Zhenhua RD., Futian, Shenzhen, China

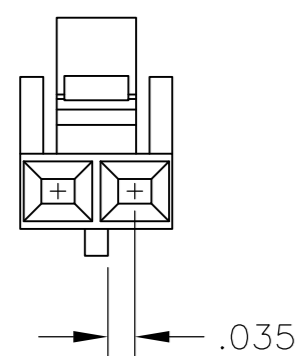
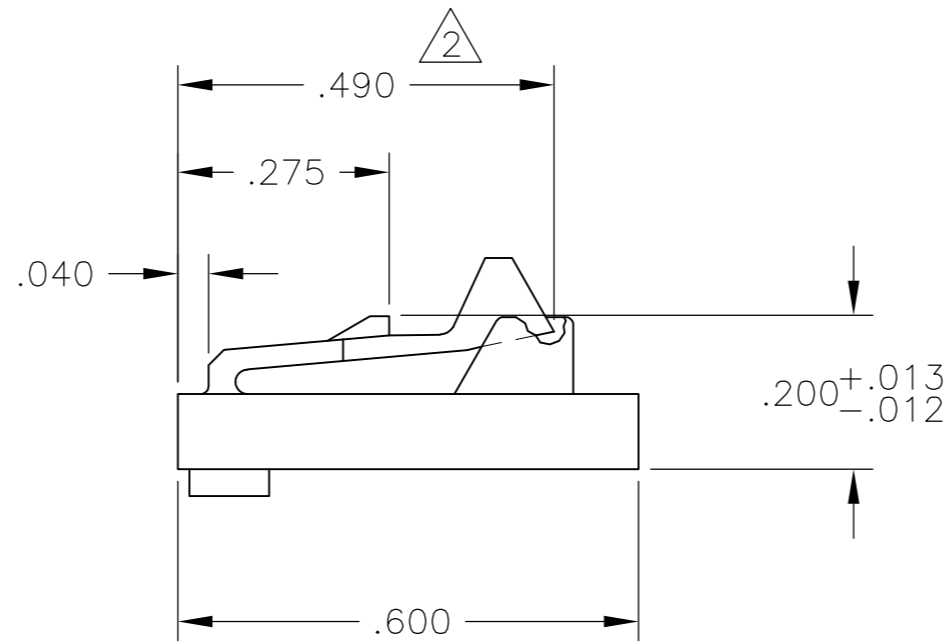
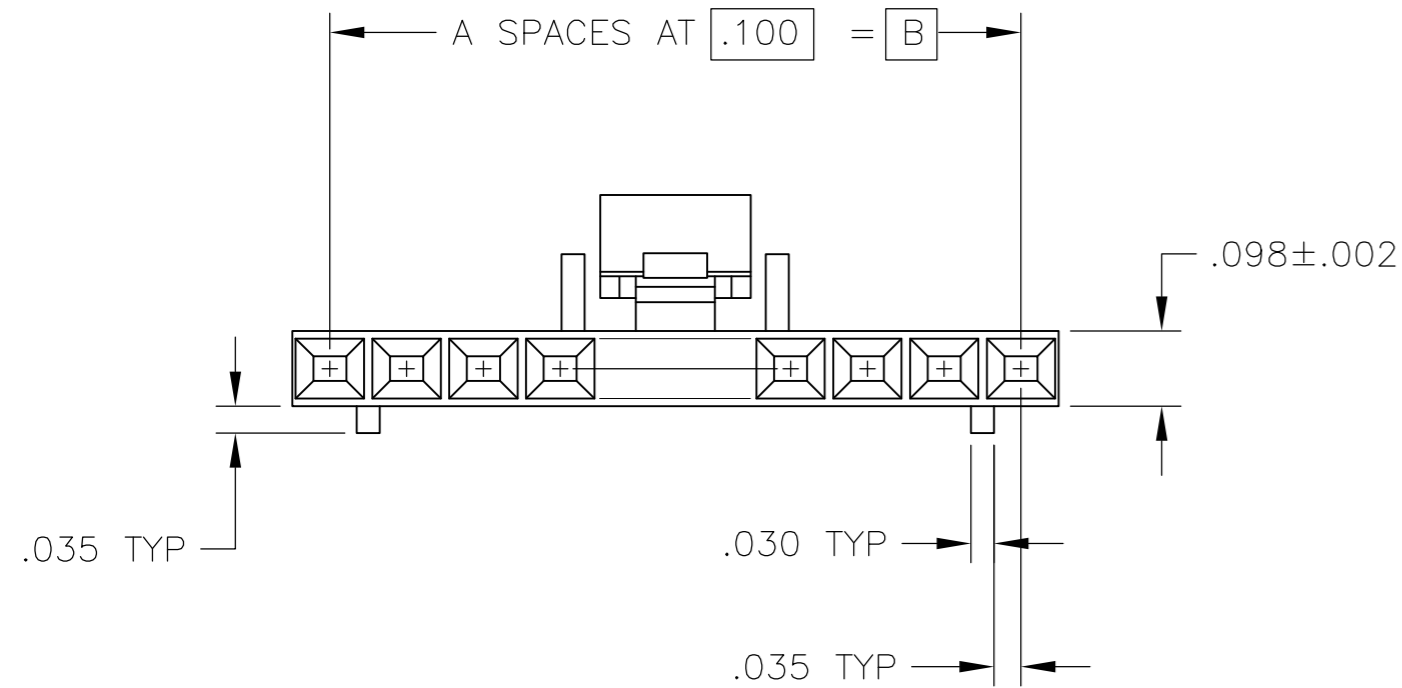


THIS DRAWING IS UNPUBLISHED. RELEASED FOR PUBLICATION  
 © COPYRIGHT - By - ALL RIGHTS RESERVED.

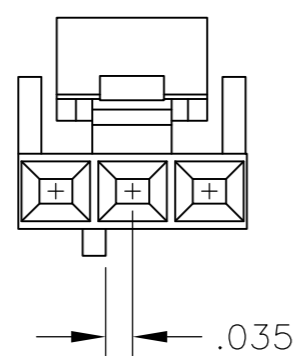
LOC		DIST		REVISIONS			
P	LTR	DESCRIPTION		DATE	DWN	APVD	
AD	00	F3		REVISED PER ECO-11-010839	25MAY11	RK	HMR



- 1 MATERIAL: FLAME RETARDANT THERMOPLASTIC, COLOR- BLACK.
- 2 THIS DIMENSION .480 FOR 2 POSN ONLY



DETAIL FOR -1 ONLY  
(2 POSITION)



DETAIL FOR -2 ONLY  
(3 POSITION)

2.498	2.400	24	25	2-104257-4
2.398	2.300	23	24	2-104257-3
2.298	2.200	22	23	2-104257-2
2.198	2.100	21	22	2-104257-1
2.098	2.000	20	21	2-104257-0
1.998	1.900	19	20	1-104257-9
1.898	1.800	18	19	1-104257-8
1.798	1.700	17	18	1-104257-7
1.698	1.600	16	17	1-104257-6
1.598	1.500	15	16	1-104257-5
1.498	1.400	14	15	1-104257-4
1.398	1.300	13	14	1-104257-3
1.298	1.200	12	13	1-104257-2
1.198	1.100	11	12	1-104257-1
1.098	1.000	10	11	1-104257-0
.998	.900	9	10	104257-9
.898	.800	8	9	104257-8
.798	.700	7	8	104257-7
.698	.600	6	7	104257-6
.598	.500	5	6	104257-5
.498	.400	4	5	104257-4
.398	.300	3	4	104257-3
.298	.200	2	3	104257-2
.198	.100	1	2	104257-1
C	B	A	NO OF POSN	PART NUMBER

THIS DRAWING IS A CONTROLLED DOCUMENT.		DWN	R BROWN	02FEB2006
DIMENSIONS: INCHES		CHK	J GESFORD	02FEB2006
TOLERANCES UNLESS OTHERWISE SPECIFIED:		APVD	J GESFORD	02FEB2006
0 PLC	± -	NAME		
1 PLC	± -	RECEPTACLE HOUSING, AMPMODU		
2 PLC	± -	MTE, SINGLE ROW, .100CL		
3 PLC	± .005	POLARIZED WITH LATCH		
4 PLC	± -	PRODUCT SPEC	108-25034	
ANGLES	± -	APPLICATION SPEC	114-25026	
FINISH	-	WEIGHT	-	
MATERIAL		CUSTOMER DRAWING		
1		SIZE	A2	CAGE CODE
		00779		DRAWING NO
		C=104257		RESTRICTED TO
		SCALE	4:1	SHEET
		1 OF 1		REV
				F3