



Chipsmall Limited consists of a professional team with an average of over 10 year of expertise in the distribution of electronic components. Based in Hongkong, we have already established firm and mutual-benefit business relationships with customers from,Europe,America and south Asia,supplying obsolete and hard-to-find components to meet their specific needs.

With the principle of “Quality Parts,Customers Priority,Honest Operation,and Considerate Service”,our business mainly focus on the distribution of electronic components. Line cards we deal with include Microchip,ALPS,ROHM,Xilinx,Pulse,ON,Everlight and Freescale. Main products comprise IC,Modules,Potentiometer,IC Socket,Relay,Connector.Our parts cover such applications as commercial,industrial, and automotives areas.

We are looking forward to setting up business relationship with you and hope to provide you with the best service and solution. Let us make a better world for our industry!



Contact us

Tel: +86-755-8981 8866 Fax: +86-755-8427 6832

Email & Skype: info@chipsmall.com Web: www.chipsmall.com

Address: A1208, Overseas Decoration Building, #122 Zhenhua RD., Futian, Shenzhen, China



F

E

D

C

B

A

F

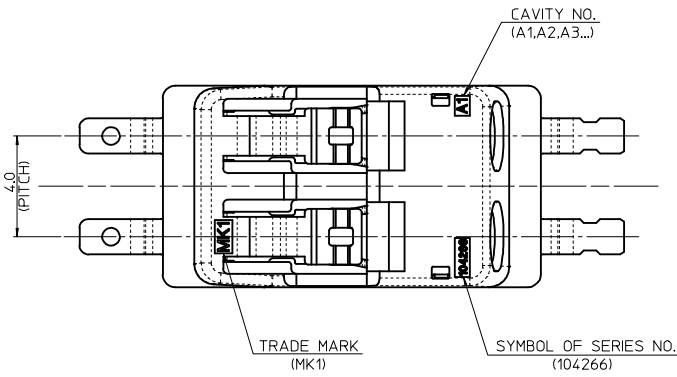
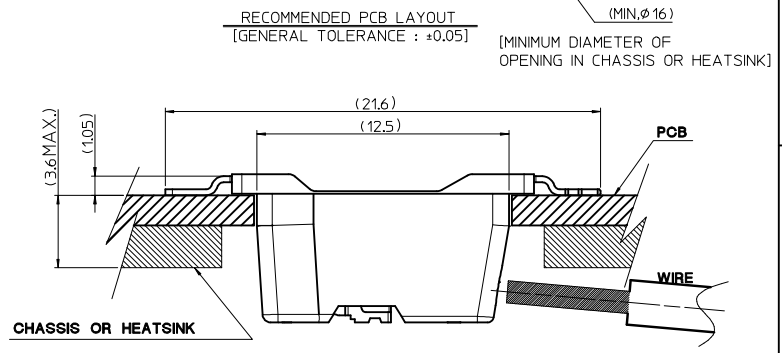
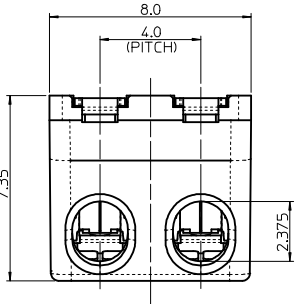
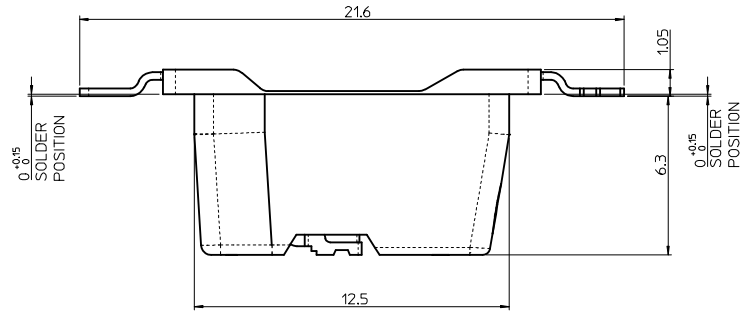
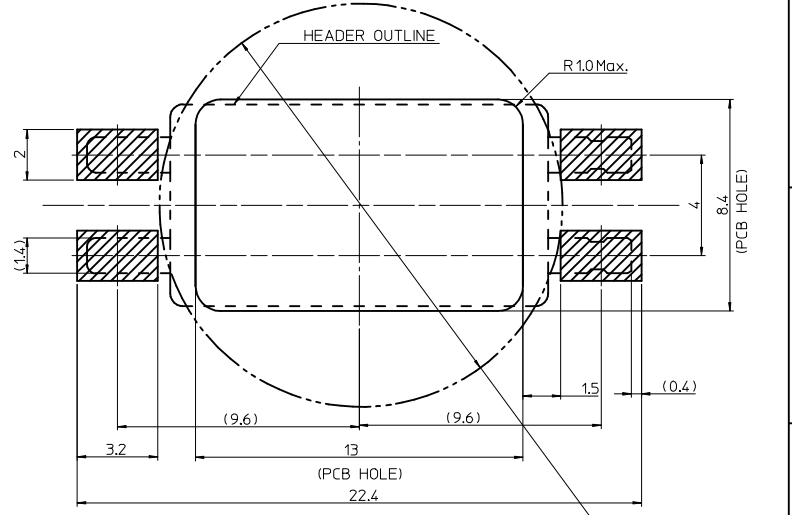
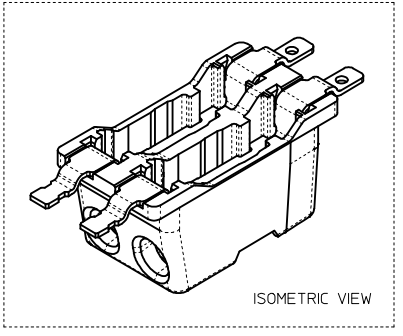
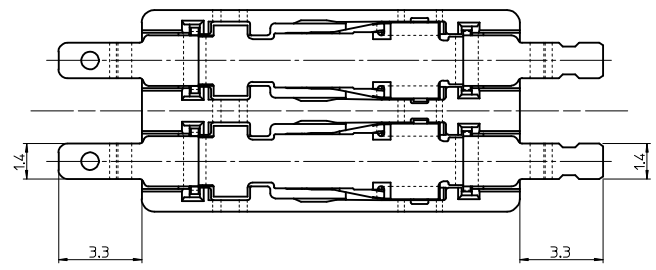
E

D

C

B

A



NOTE

- MATERIAL
 - HEADER : LIQUID CRYSTAL POLYMER(LCP)
UL94V-0, HALOGEN FREE, COLOR OF NATURAL
 - CONTACT TERMINAL : COPPER-ALLOY, 0.3mm THICKNESS
- PLATING
 - CONTACT TERMINAL : TIN -PLATED
0.84μm MINIMUM TIN PLATING
- PRODUCT SPECIFICATION : PS-104266-001
- PACKAGING SPECIFICATION : PK-104266-001
- COPLANALITY OF SOLDER TAILS (PEAK TEMP. : 260°C), BEFORE & AFTER REFLOW : 0.08 MAX.
- APPLICABLE SOLID WIRE RANGE : (OUTSIDE WIRE INSULATION : 2.1mm DIAMETER MAX.)
 - SOLID WIRE : AWG #24~#18
 - STRAND WIRE : AWG #24~#20

RELEASED EC NO: KOR2016-0078 DRWNS: SCHONG03 2016/02/20 CHKD: SHCHU 2016/02/20 APPR: YSK1M02 2016/03/03	QUALITY SYMBOLS	GENERAL TOLERANCES (UNLESS SPECIFIED)		DIMENSION STYLE MM ONLY		SCALE 5:1	DESIGN UNITS METRIC	THIRD ANGLE PROJECTION
	▽=0 ◻=0	mm	INCH	DRAWN BY SCHONG03	DATE 2016/02/20	TITLE LITE TRAP CONN. BOTTOM ENTRY TYPE HEADER ASS'Y 2CKTS		
		4 PLACES ± --- ± ---	3 PLACES ± --- ± ---	CHECKED BY SHCHU	DATE 2016/02/20	molex MATERIAL NO. 1042660210 DOCUMENT NO. SD-104266-003 SHEET NO. 1 OF 1		
		2 PLACES ± 0.15 ± ---	1 PLACE ± 0.20 ± ---	APPROVED BY YSK1M02	DATE 2016/03/03			
	0 PLACE ± --- ± ---	ANGULAR ± 1 °		DRAFT WHERE APPLICABLE MUST REMAIN WITHIN DIMENSIONS		THIS DRAWING CONTAINS INFORMATION THAT IS PROPRIETARY TO MOLEX INCORPORATED AND SHOULD NOT BE USED WITHOUT WRITTEN PERMISSION		