



Chipsmall Limited consists of a professional team with an average of over 10 year of expertise in the distribution of electronic components. Based in Hongkong, we have already established firm and mutual-benefit business relationships with customers from,Europe,America and south Asia,supplying obsolete and hard-to-find components to meet their specific needs.

With the principle of “Quality Parts,Customers Priority,Honest Operation,and Considerate Service”,our business mainly focus on the distribution of electronic components. Line cards we deal with include Microchip,ALPS,ROHM,Xilinx,Pulse,ON,Everlight and Freescale. Main products comprise IC,Modules,Potentiometer,IC Socket,Relay,Connector.Our parts cover such applications as commercial,industrial, and automotives areas.

We are looking forward to setting up business relationship with you and hope to provide you with the best service and solution. Let us make a better world for our industry!



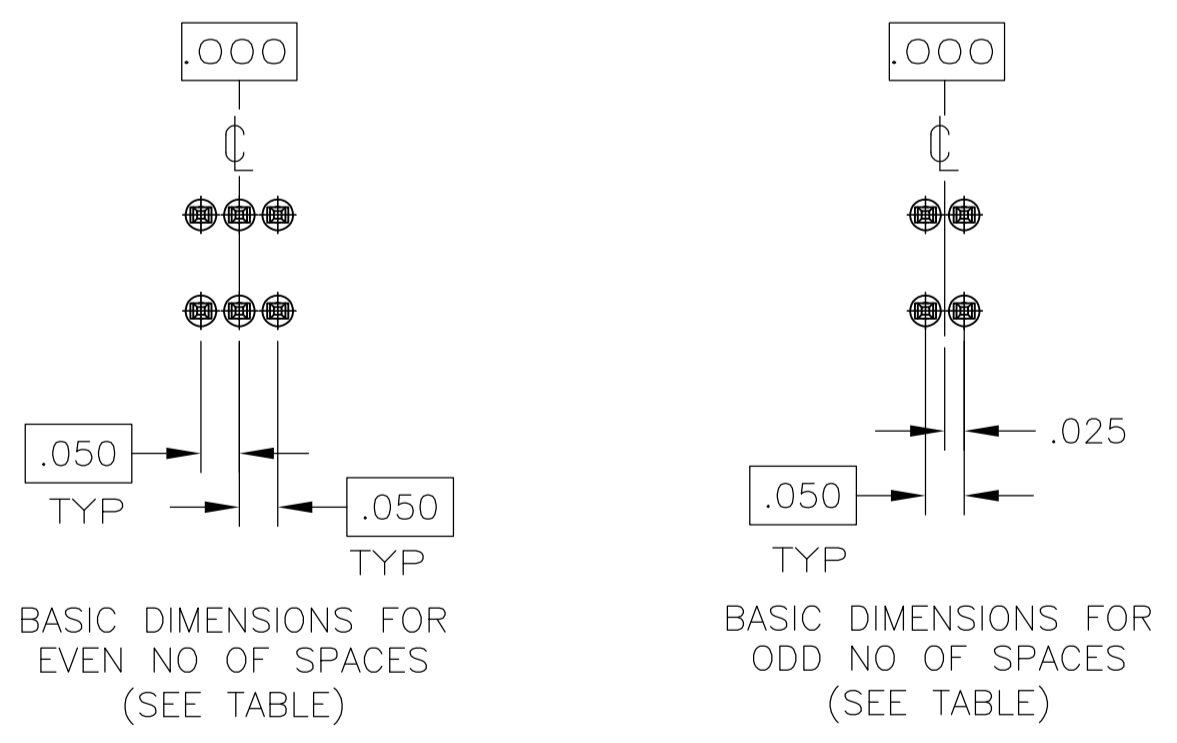
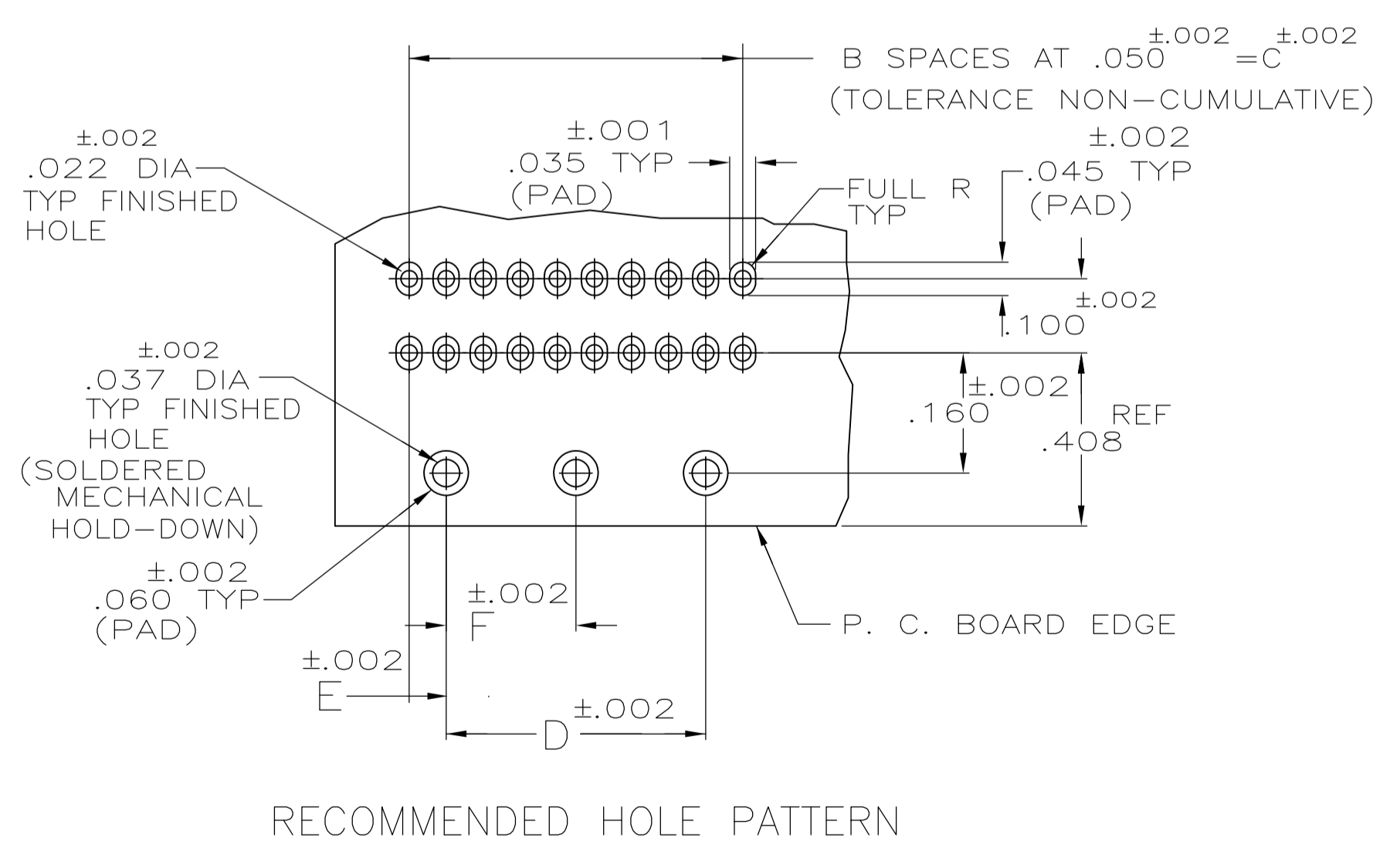
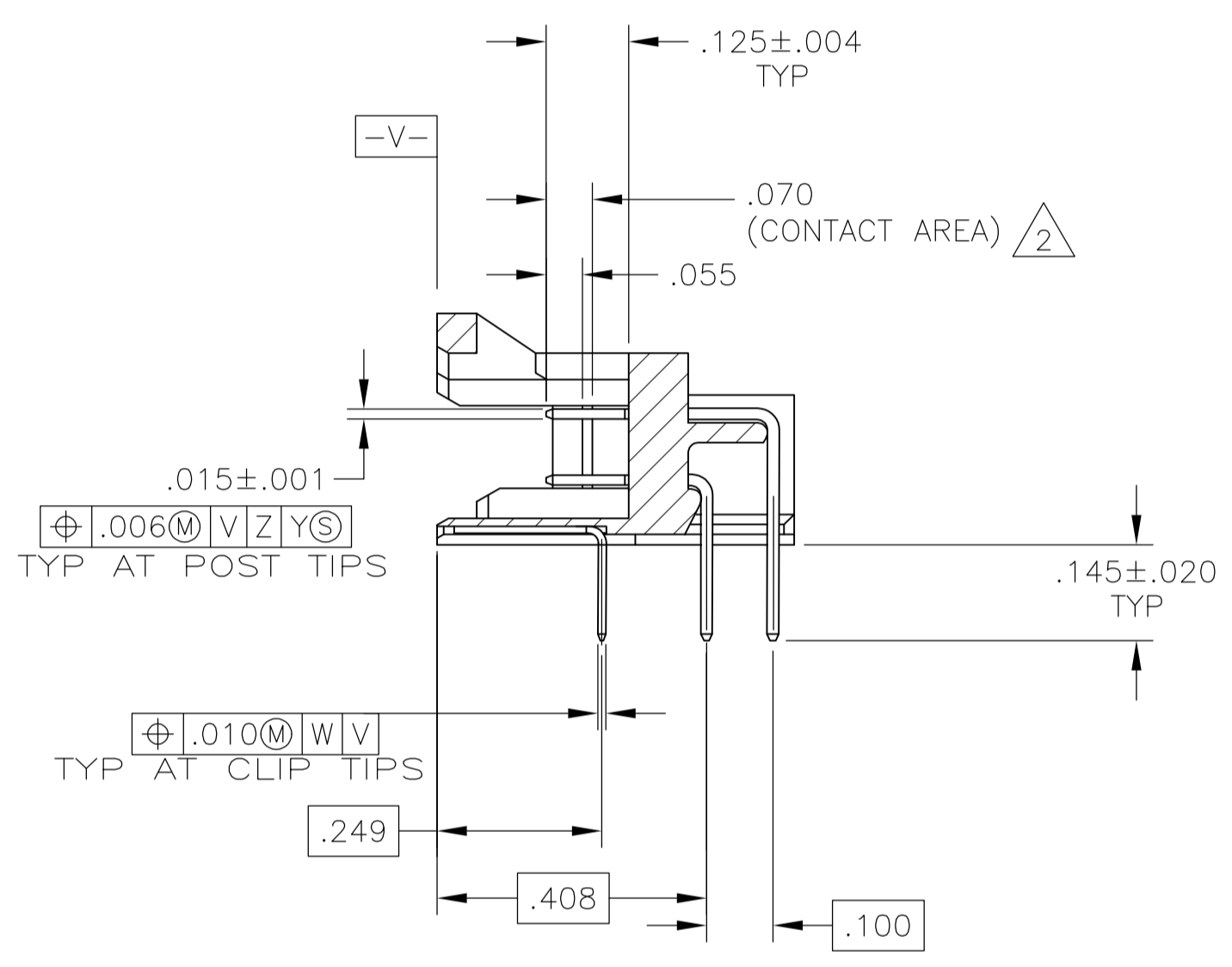
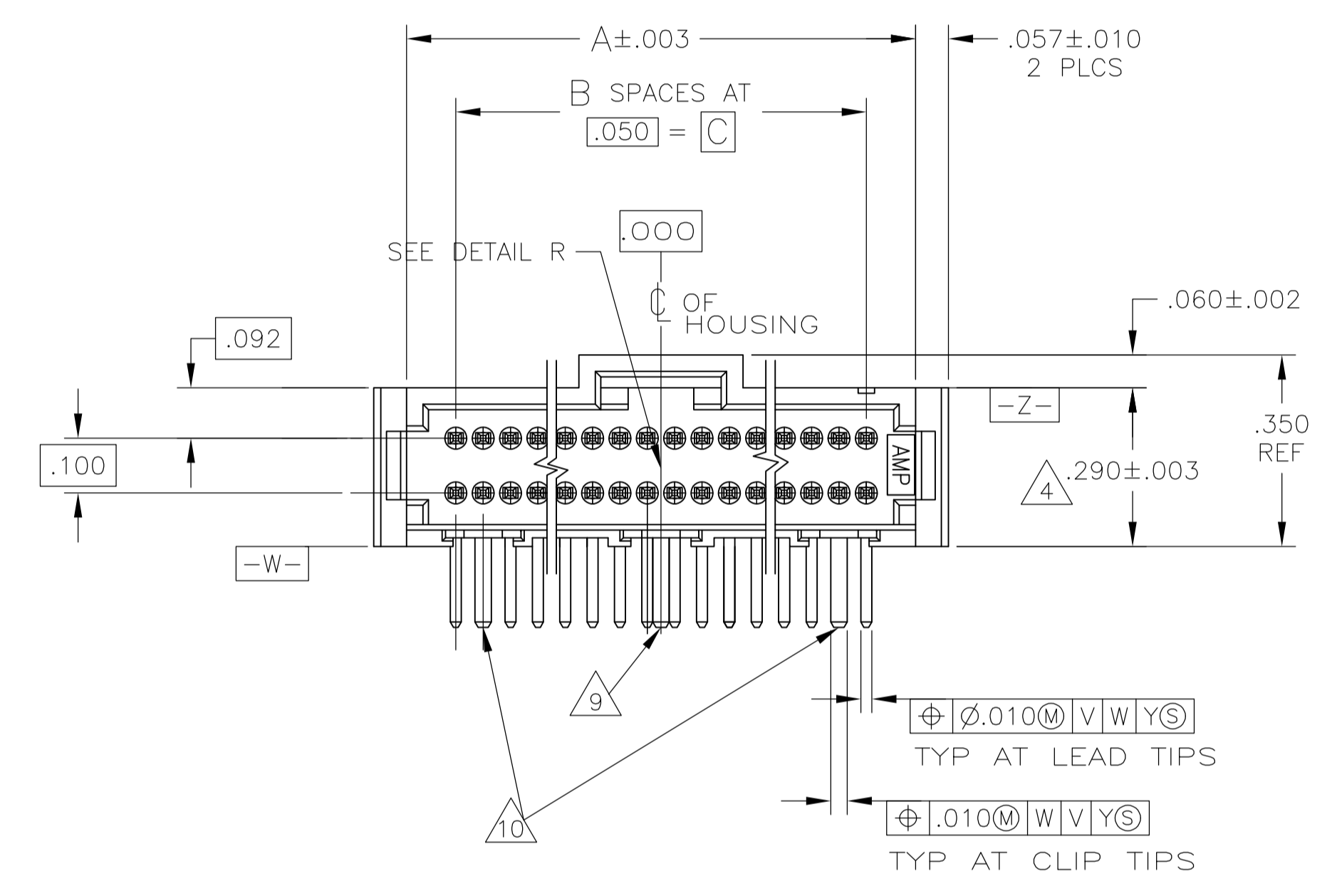
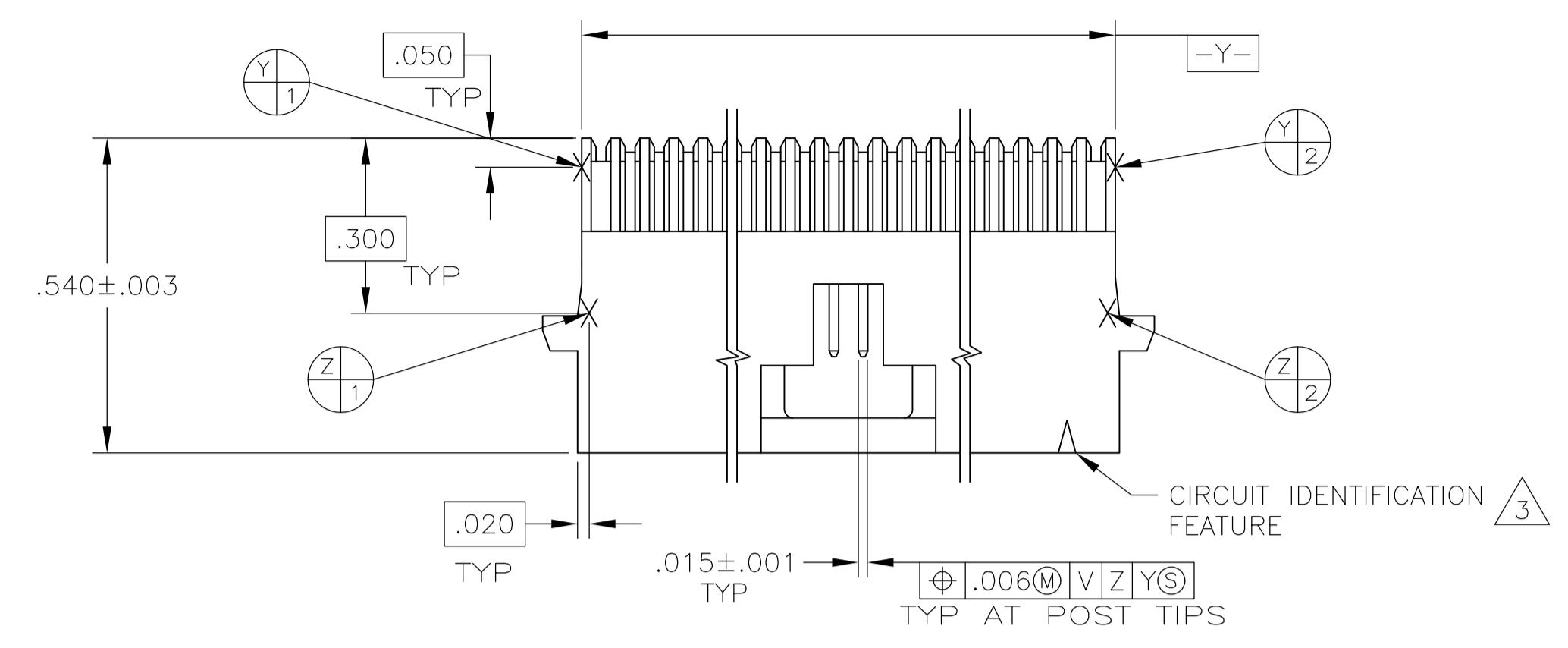
Contact us

Tel: +86-755-8981 8866 Fax: +86-755-8427 6832

Email & Skype: info@chipsmall.com Web: www.chipsmall.com

Address: A1208, Overseas Decoration Building, #122 Zhenhua RD., Futian, Shenzhen, China





DETAIL R

- 1 CONTACT AREAS PLATED WITH .000030 GOLD, SOLDER TAILS PLATED WITH .000150 TIN-LEAD, ALL OVER .000050 NICKEL
- 2 POINT OF MEASUREMENT FOR GOLD THICKNESS
- 3 CIRCUIT IDENTIFICATION FEATURE OMITTED ON 8, 10, 12, & 14 POSITION HEADER ASSEMBLIES
- 4 DIMENSION APPLIES AT BASE OF SHROUD
- 5 THE NOTED DIMENSIONS APPLY AT THE INTERSECTION OF THE POST AND HOUSING
- 6 PRELIMINARY PART - NOT RELEASED FOR PRODUCTION.
- 7 CONTACT AREAS PLATED WITH .000030 GOLD, SOLDER TAILS PLATED WITH .000150 TIN, ALL OVER .000050 NICKEL
- 8 HOUSING: THERMOPLASTIC COLOR-BLACK
CONTACT: COPPER ALLOY
- 9 HOLD DOWN FEATURES LOCATED AS SHOWN FOR 8 THRU 14 & 60 THRU 100 POSN ASSEMBLIES (SEE TABLE)
- 10 HOLD DOWN FEATURES LOCATED AS SHOWN FOR 16 THRU 100 POSN ASSEMBLIES (SEE TABLE)
- 11 OBSOLETE PARTS: OBSOLETE CIS STREAMLINING PER D.RENAUD/D.SINISI

11 OBSOLETE	-	.100	-	.200	4	.380	10	6-104477-2
11 OBSOLETE	-	.050	.500	.600	12	.780	26	6-104477-1
11 OBSOLETE	.225	.050	.450	.550	11	.730	24	6-104477-0
	.675	.050	1.350	1.450	29	1.630	60	5-104477-9
11 OBSOLETE	-	.125	-	.250	5	.430	12	5-104477-8
11 OBSOLETE	1.175	.050	2.350	2.450	49	2.630	100	5-104477-7
11 OBSOLETE	.925	.050	1.850	1.950	39	2.130	80	5-104477-6
	-	.050	1.100	1.200	24	1.380	50	5-104477-5
	-	.050	.850	.950	19	1.130	40	5-104477-4
	-	.050	.600	.700	14	.880	30	5-104477-3
11 OBSOLETE	-	.050	.350	.450	9	.630	20	5-104477-2
11 OBSOLETE	.825	.050	1.650	1.750	35	1.930	72	5-104477-1
	-	.100	-	.200	4	.380	10	1-104477-2
	-	.050	.500	.600	12	.780	26	1-104477-1
11 OBSOLETE	.225	.050	.450	.550	11	.730	24	1-104477-0
	.675	.050	1.350	1.450	29	1.630	60	104477-9
	-	.125	-	.250	5	.430	12	104477-8
	1.175	.050	2.350	2.450	49	2.630	100	104477-7
	.925	.050	1.850	1.950	39	2.130	80	104477-6
11 SUPERCEDED BY 5-104477-5	-	.050	1.100	1.200	24	1.380	50	104477-5
	-	.050	.850	.950	19	1.130	40	104477-4
	-	.050	.600	.700	14	.880	30	104477-3
	-	.050	.350	.450	9	.630	20	104477-2
	.825	.050	1.650	1.750	35	1.930	72	104477-1

F	E	D	C	B	A	NO OF POSN	PART NUMBER
---	---	---	---	---	---	------------	-------------

THIS DRAWING IS A CONTROLLED DOCUMENT.

DIMENSIONS: INCHES

TOLERANCES UNLESS OTHERWISE SPECIFIED:

0. PLC	± .005
1. PLC	± .002
2. PLC	± .001
3. PLC	± .0005
4. PLC	± .0002
ANGLES	± .005

MATERIAL: SEE TABLE

FINISH: SEE TABLE

APPROVED: R. DURBIN

DATE: 10-26-88

NAME: HEADER ASSEMBLY, RIGHT ANGLE, DOUBLE ROW, W/SIDE & END LATCHES, AMPMODU System 50

PRODUCT SPEC: 108-1093

APPLICATION SPEC: 114-25031

WEIGHT: -

SIZE: A1

CAGE CODE: 00779

DRAWING NO: 104477

RESTRICTED TO: -

CUSTOMER DRAWING

SCALE: 4:1

SHEET: 1 OF 1

REV: Y4