



Chipsmall Limited consists of a professional team with an average of over 10 year of expertise in the distribution of electronic components. Based in Hongkong, we have already established firm and mutual-benefit business relationships with customers from,Europe,America and south Asia,supplying obsolete and hard-to-find components to meet their specific needs.

With the principle of "Quality Parts,Customers Priority,Honest Operation,and Considerate Service",our business mainly focus on the distribution of electronic components. Line cards we deal with include Microchip,ALPS,ROHM,Xilinx,Pulse,ON,Everlight and Freescale. Main products comprise IC,Modules,Potentiometer,IC Socket,Relay,Connector.Our parts cover such applications as commercial,industrial, and automotives areas.

We are looking forward to setting up business relationship with you and hope to provide you with the best service and solution. Let us make a better world for our industry!



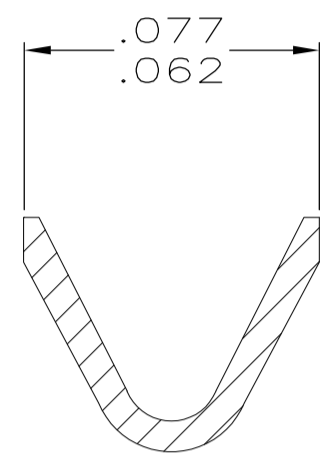
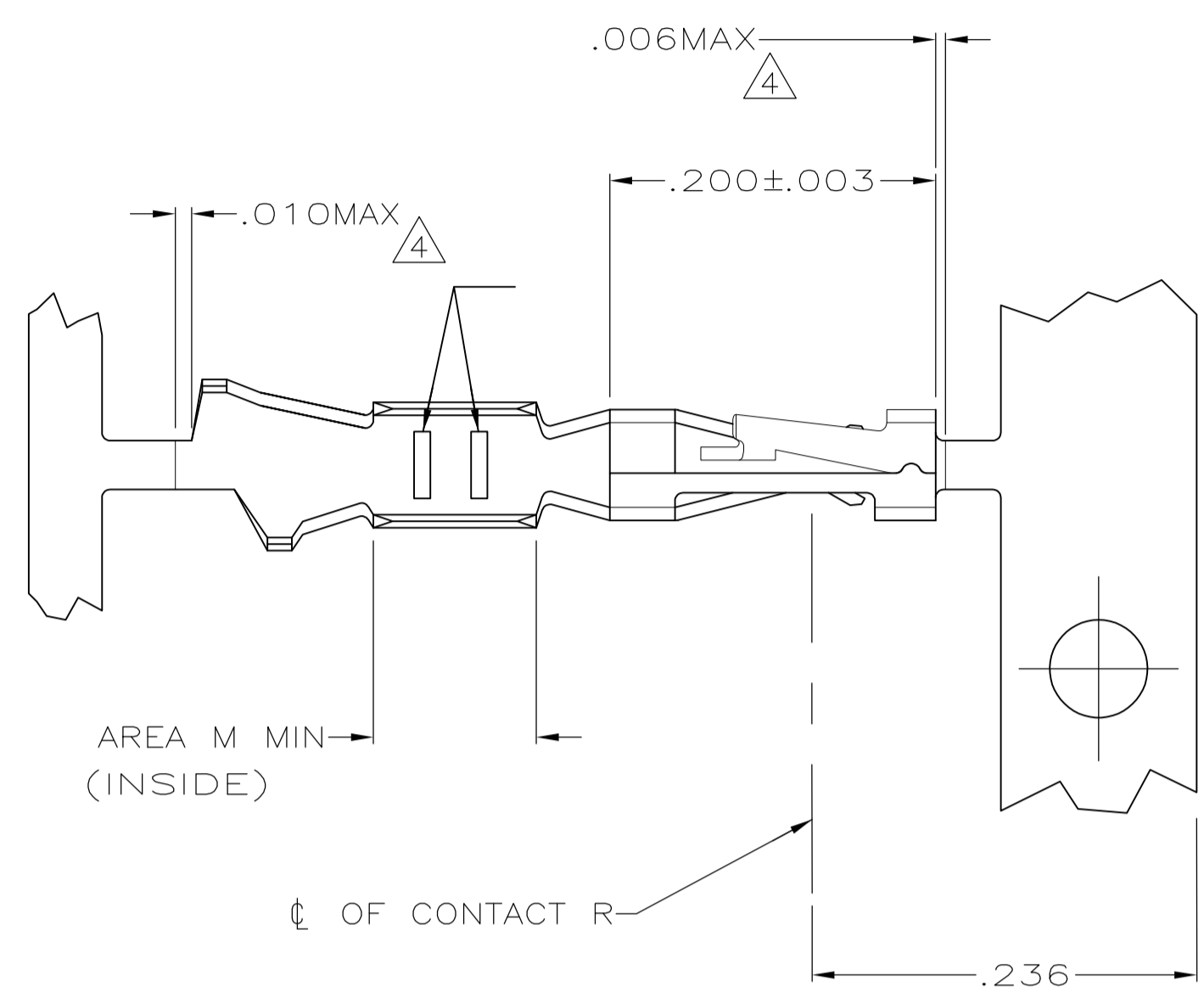
Contact us

Tel: +86-755-8981 8866 Fax: +86-755-8427 6832

Email & Skype: info@chipsmall.com Web: www.chipsmall.com

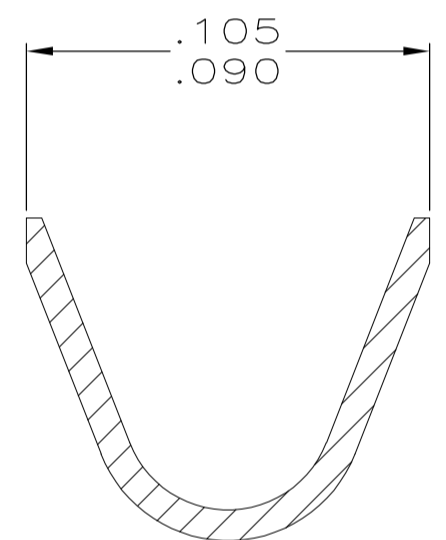
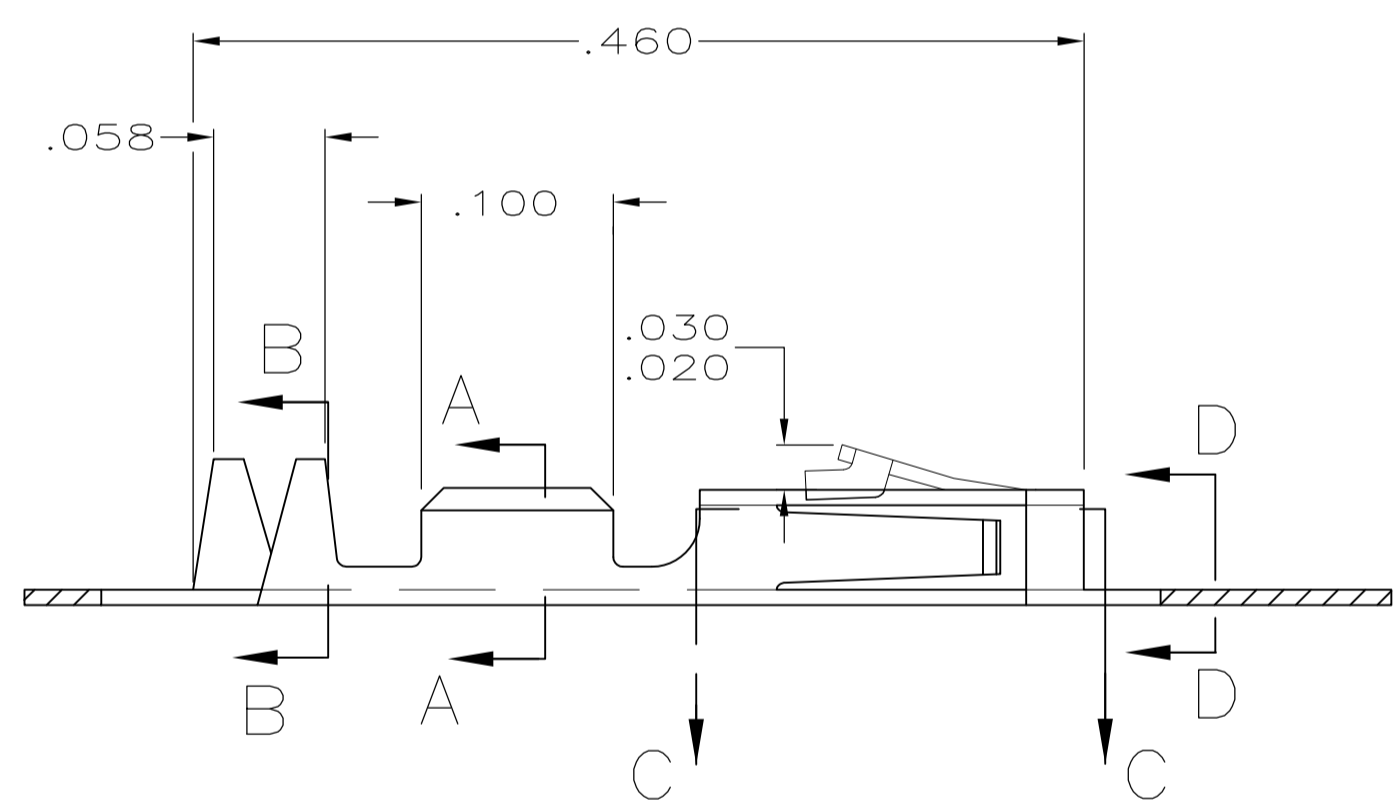
Address: A1208, Overseas Decoration Building, #122 Zhenhua RD., Futian, Shenzhen, China



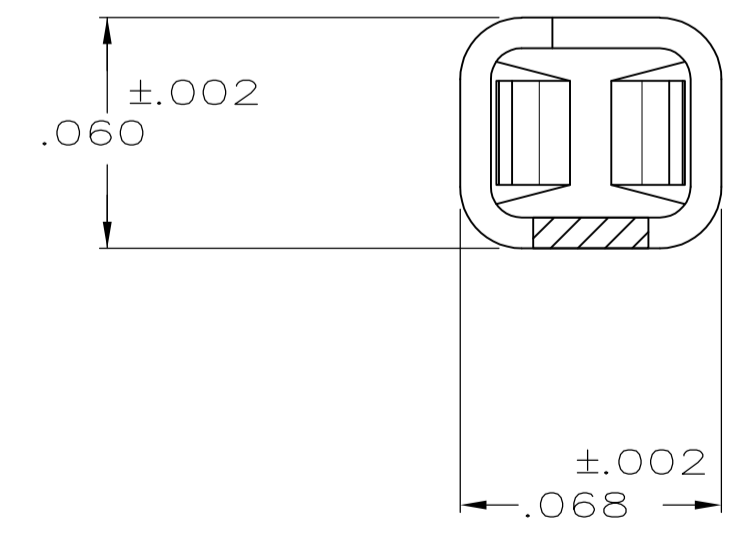
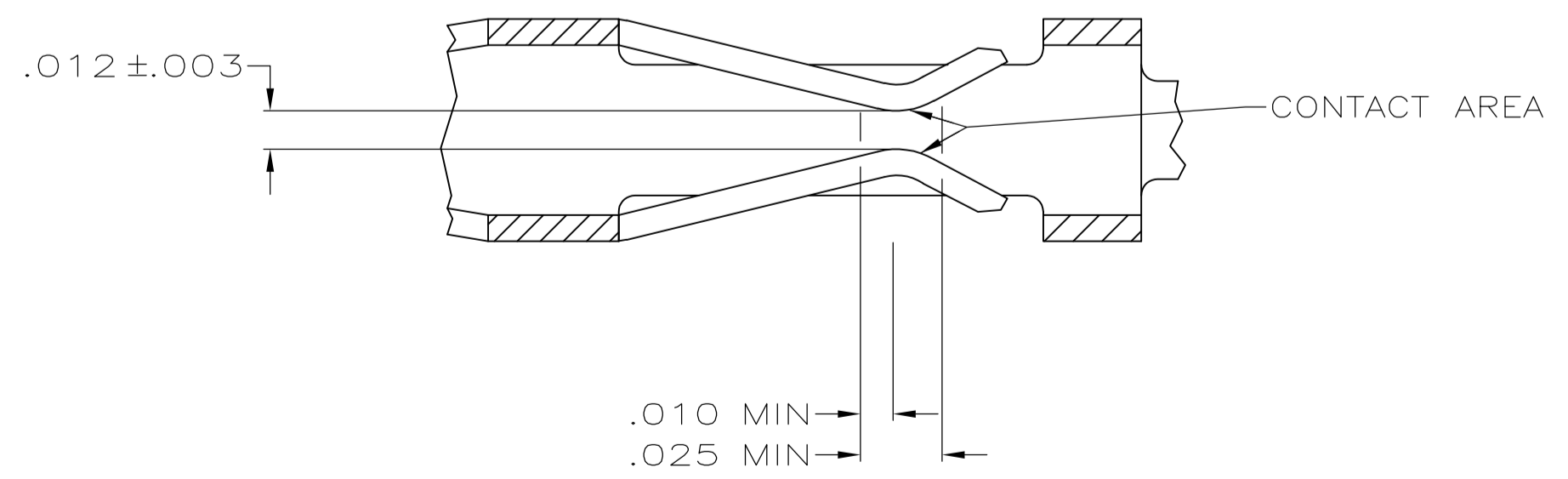


SECTION A-A
SCALE 20:1

- 1 .000100 MIN BRIGHT TIN-LEAD OVER .000050 MIN NICKEL ON ENTIRE CONTACT
- 2 .000050 MIN NICKEL ON ENTIRE CONTACT; .000015 MIN GOLD ON CONTACT AREA; .000050 MIN BRIGHT TIN-LEAD ON AREA M.
- 3 .000050 MIN NICKEL ON ENTIRE CONTACT; .000030 MIN GOLD ON CONTACT AREA; .000050 MIN BRIGHT TIN-LEAD ON AREA M.
- 4 LOOSE PIECE CUT-OFF DIMENSION.
- 5 OBSOLETE PART NUMBER.
- 6 .000015 MIN GOLD ON CONTACT AREA, .000050 MIN TIN ON AREA M, ALL OVER .000050-.000100 NICKEL ON ENTIRE CONTACT.
- 7 .000030 MIN GOLD ON CONTACT AREA, .000050 MIN TIN ON AREA M, ALL OVER .000050-.000100 NICKEL ON ENTIRE CONTACT.
- 8 .000100-.000200 TIN OVER .000050 MIN NICKEL ON ENTIRE CONTACT.



SECTION B-B
INSULATION RANGE .025-.060
SCALE 20:1



SECTION D-D
SCALE 20:1

SECTION C-C
SCALE 20:1

REMARKS	FINISH	PART NO
STRIP	8	1-104480-7
LOOSE PIECE	7 REF	1-104480-6
LOOSE PIECE	6 REF	1-104480-5
LOOSE PIECE	8 REF	1-104480-4
STRIP	7	1-104480-3
STRIP	6	1-104480-2
LOOSE PIECE		1-104480-1
LOOSE PIECE		1-104480-0
LOOSE PIECE	3 REF	104480-9
LOOSE PIECE	2 REF	104480-8
LOOSE PIECE	1 REF	104480-7
STRIP		104480-6
STRIP		104480-5
STRIP	3	104480-4
STRIP	2	104480-3
STRIP	1	104480-2

THIS DRAWING IS A CONTROLLED DOCUMENT.

DIMENSIONS: INCHES	TOLERANCES UNLESS OTHERWISE SPECIFIED:	DWN: C. OBERMAN 5-10-89	TE Connectivity
0 PLC ± -	1 PLC ± -	CHK: K. HELM 5-12-89	
2 PLC ± -	3 PLC ± .005	APVD: R. ELICKER 5-12-89	NAME: CONTACT, CRIMP SNAP-IN
4 PLC ± -	ANGLES ± -	PRODUCT SPEC: 108-1472	AMPMODU SHORT POINT, 22-26 AWG
MATERIAL: PHOSPHOR BRONZE	FINISH: SEE TABLE	APPLICATION SPEC: 114-25038	SIZE: A1
		WEIGHT: -	CAGE CODE: 00779
			DRAWING NO: 104480
		CUSTOMER DRAWING	RESTRICTED TO: -

SCALE 10:1 SHEET 1 OF 1 REV S1