



Chipsmall Limited consists of a professional team with an average of over 10 year of expertise in the distribution of electronic components. Based in Hongkong, we have already established firm and mutual-benefit business relationships with customers from,Europe,America and south Asia,supplying obsolete and hard-to-find components to meet their specific needs.

With the principle of “Quality Parts,Customers Priority,Honest Operation,and Considerate Service”,our business mainly focus on the distribution of electronic components. Line cards we deal with include Microchip,ALPS,ROHM,Xilinx,Pulse,ON,Everlight and Freescale. Main products comprise IC,Modules,Potentiometer,IC Socket,Relay,Connector.Our parts cover such applications as commercial,industrial, and automotives areas.

We are looking forward to setting up business relationship with you and hope to provide you with the best service and solution. Let us make a better world for our industry!



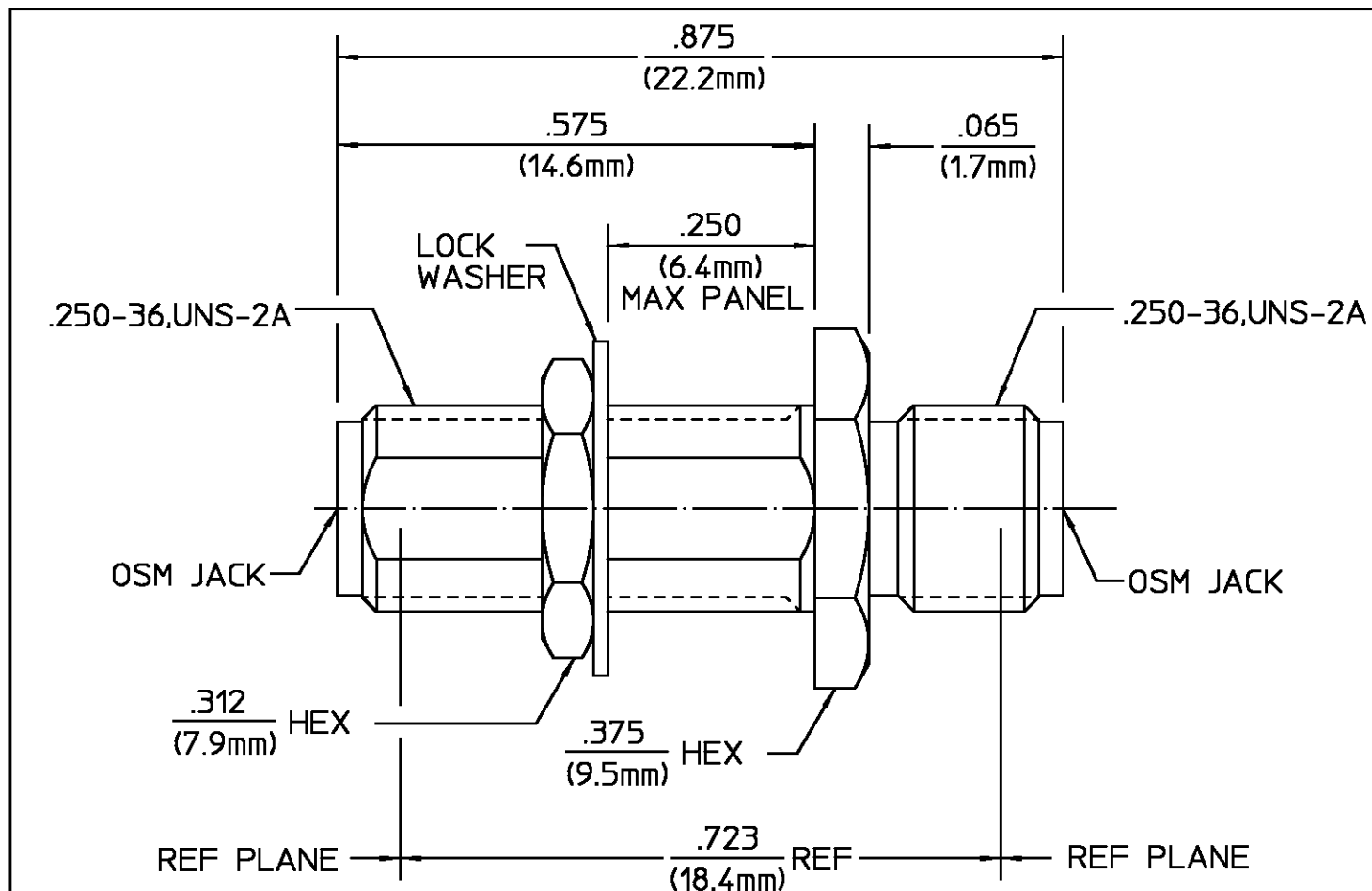
Contact us

Tel: +86-755-8981 8866 Fax: +86-755-8427 6832

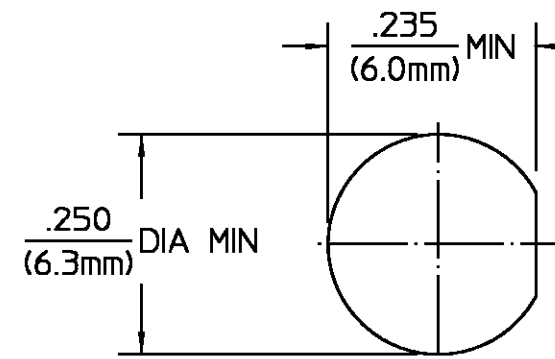
Email & Skype: info@chipsmall.com Web: www.chipsmall.com

Address: A1208, Overseas Decoration Building, #122 Zhenhua RD., Futian, Shenzhen, China





REVISIONS			
REV	DESCRIPTION	DATE	APPROVED
010	RELEASED	3/9/95	<i>D. Comello</i>



RECOMMENDED MOUNTING HOLE

DESIGN CONTROL REQUIRED

ELECTRICAL	MECHANICAL	ENVIRONMENTAL	HOUSING	MATERIAL	FINISH
Nominal Impedance (Ohms) <u>50</u>	Interface Dimensions MIL-STD-348A, Fig. 310.2 BOTH ENDS	Temperature Rating <u>-65°C to +125°C</u>	STAINLESS STEEL PER ASTM-A484 AND ASTM-A582, TYPE 303	GOLD PLATE PER MIL-G-45204	
Frequency Range (GHz) DC to <u>18</u>	Recommended Mating Torque <u>N/A</u>	Vibration MIL-STD-202, Method 204, Condition D.	TFE FLUOROCARBON PER ASTM-D-1457	N/A	
Volt Rating (VRMS MAX) @ Sea Level <u>335</u>	Mating Characteristics: Insertion (MAX Lbs) <u>3.0</u>	Shock MIL-STD-202, Method 213, Condition I.	BERYLLIUM COPPER PER ASTM B 196, ALLOY C17300, CONDITION H	GOLD PLATE PER MIL-G-45204	
VSWR <u>1.05 ±.005</u>	Withdrawal (MIN Oz) <u>1.0</u>	Thermal Shock MIL-STD-202, Method 107, Condition C, except high temp shall be +115°C.			
Insertion Loss (dB MAX) <u>.03 √f(GHz)</u>	Force to Engage and Disengage (In-Lbs MAX) <u>2.0</u>	Moisture Resistance MIL-STD-202, Method 106			
RF Leakage (dB MIN) <u>60 @ 2 to 3 GHz</u>	Center Contact Captivation Axial (Lbs) <u>6.0</u>	Corrosion - MIL-STD-202, Method 101, Condition B, 5% salt spray			
Corona, 70,000 Ft (VRMS MIN) <u>250</u>	Radial (In-Oz) <u>4.0</u>				
Dielectric Withstanding Voltage (VRMS MIN) @ Sea Level <u>1,500</u>	Cable Retention Axial Force (Lbs) <u>N/A</u>				
Contact Resistance (Milliohms MAX) Center Contact <u>4.0</u>	Torque (In-Oz) <u>N/A</u>				
Outer Contact <u>2.0</u>	Weight (Grams) <u>3.8</u>				
Cable to Housing <u>N/A</u>					
RF High Potential @ Sea Level (VRMS MIN @ 5 MHz) <u>670</u>					
LR.(Megohms MIN) <u>5,000</u>					
			UNLESS OTHERWISE SPECIFIED DIMENSIONS ARE IN INCHES TOLERANCE ON	DRAWN BY <i>D. Comello</i> DATE 3/9/95	
			FRAC. DEC. ANGLES ± 1/64 ±.005 ± 1°	CHECKED BY <i>D. Comello</i> DATE 3/9/95	
			These drawings and specifications are the property of M/A-COM Incorporated and shall not be reproduced or copied or used in whole or in part as the basis for the manufacture or sale of item(s) without written permission.	AMP Incorporated 140 Fourth Avenue Waltham, MA 02451-7599	
			USE ASS'Y PROCEDURE	TITLE OSM BULKHEAD FEEDTHROUGH JACK TO JACK ADAPTER	
			NO. AP. <u>N/A</u>	SIZE B	CODE IDENT NO. 1250-1251-00
				SCALE 5:1	REV 010
					SHEET 1 OF 1

CUSTOMER DRAWING

AMP PART # 1046248-1
SHEET 1 OF 1 REV A