



Chipsmall Limited consists of a professional team with an average of over 10 year of expertise in the distribution of electronic components. Based in Hongkong, we have already established firm and mutual-benefit business relationships with customers from,Europe,America and south Asia,supplying obsolete and hard-to-find components to meet their specific needs.

With the principle of "Quality Parts,Customers Priority,Honest Operation,and Considerate Service",our business mainly focus on the distribution of electronic components. Line cards we deal with include Microchip,ALPS,ROHM,Xilinx,Pulse,ON,Everlight and Freescale. Main products comprise IC,Modules,Potentiometer,IC Socket,Relay,Connector.Our parts cover such applications as commercial,industrial, and automotives areas.

We are looking forward to setting up business relationship with you and hope to provide you with the best service and solution. Let us make a better world for our industry!



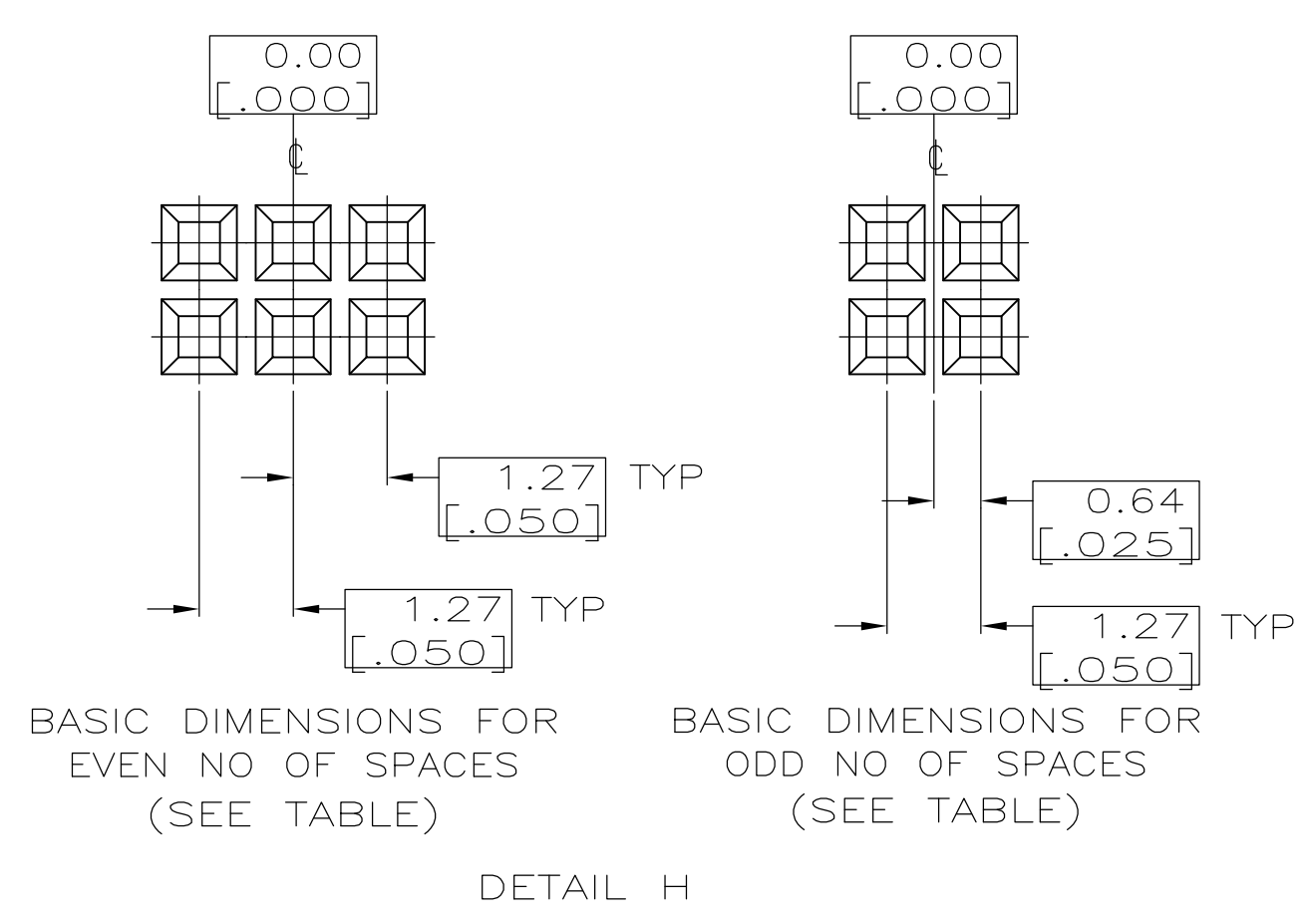
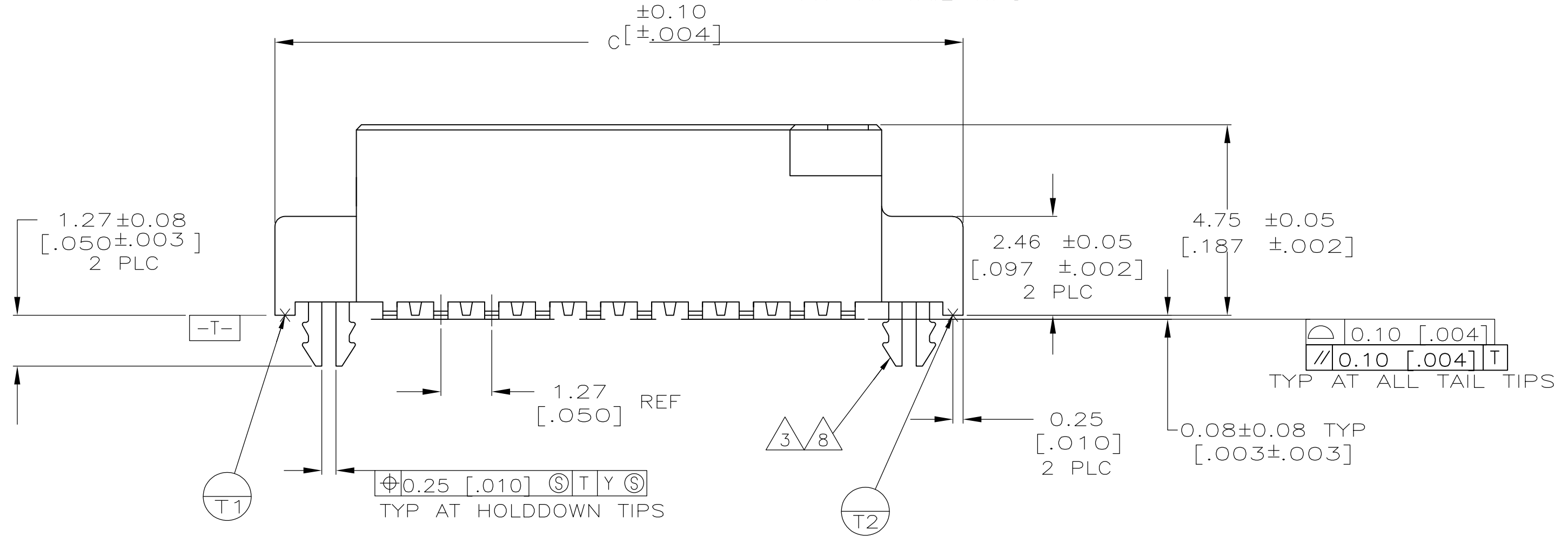
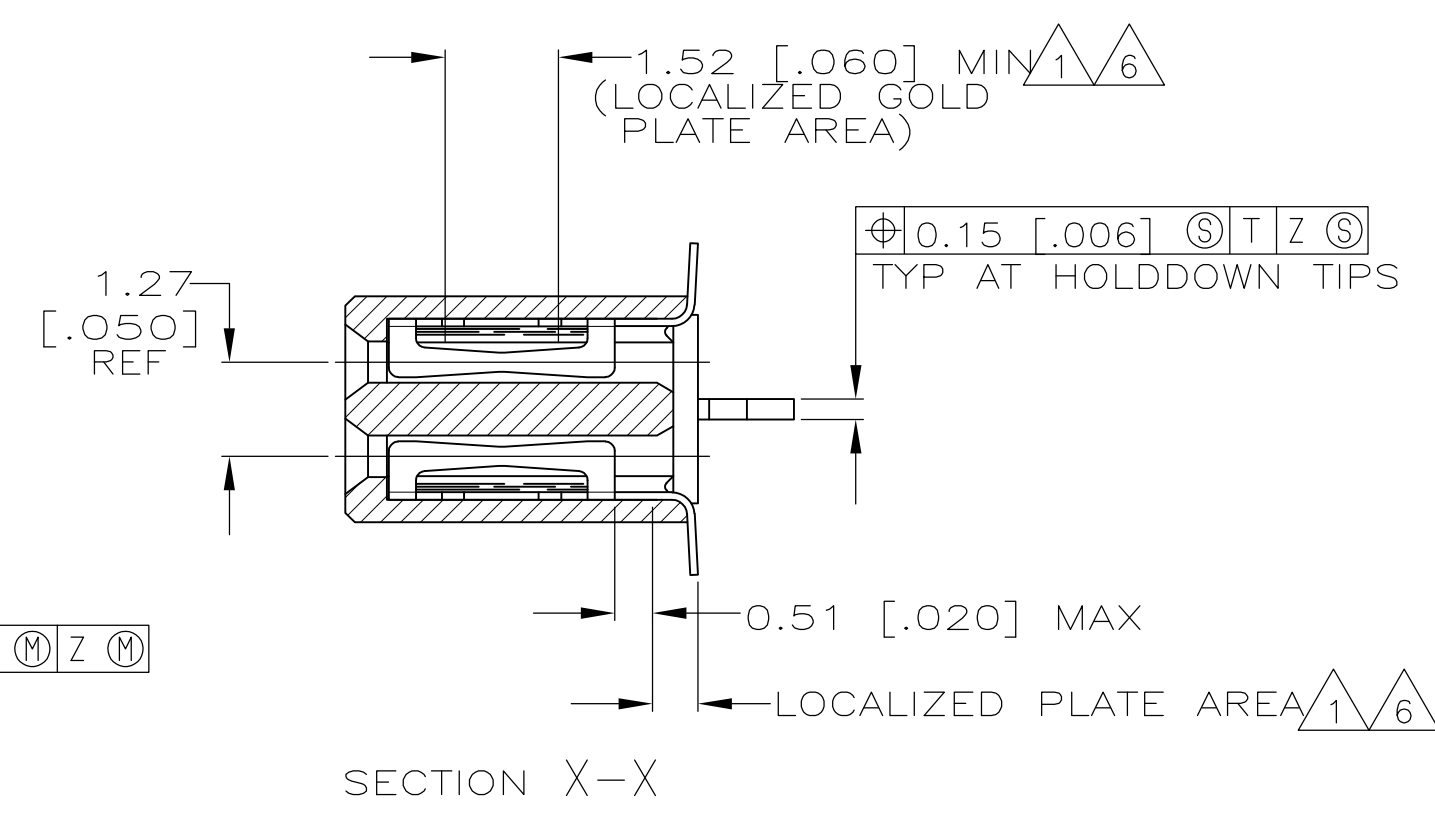
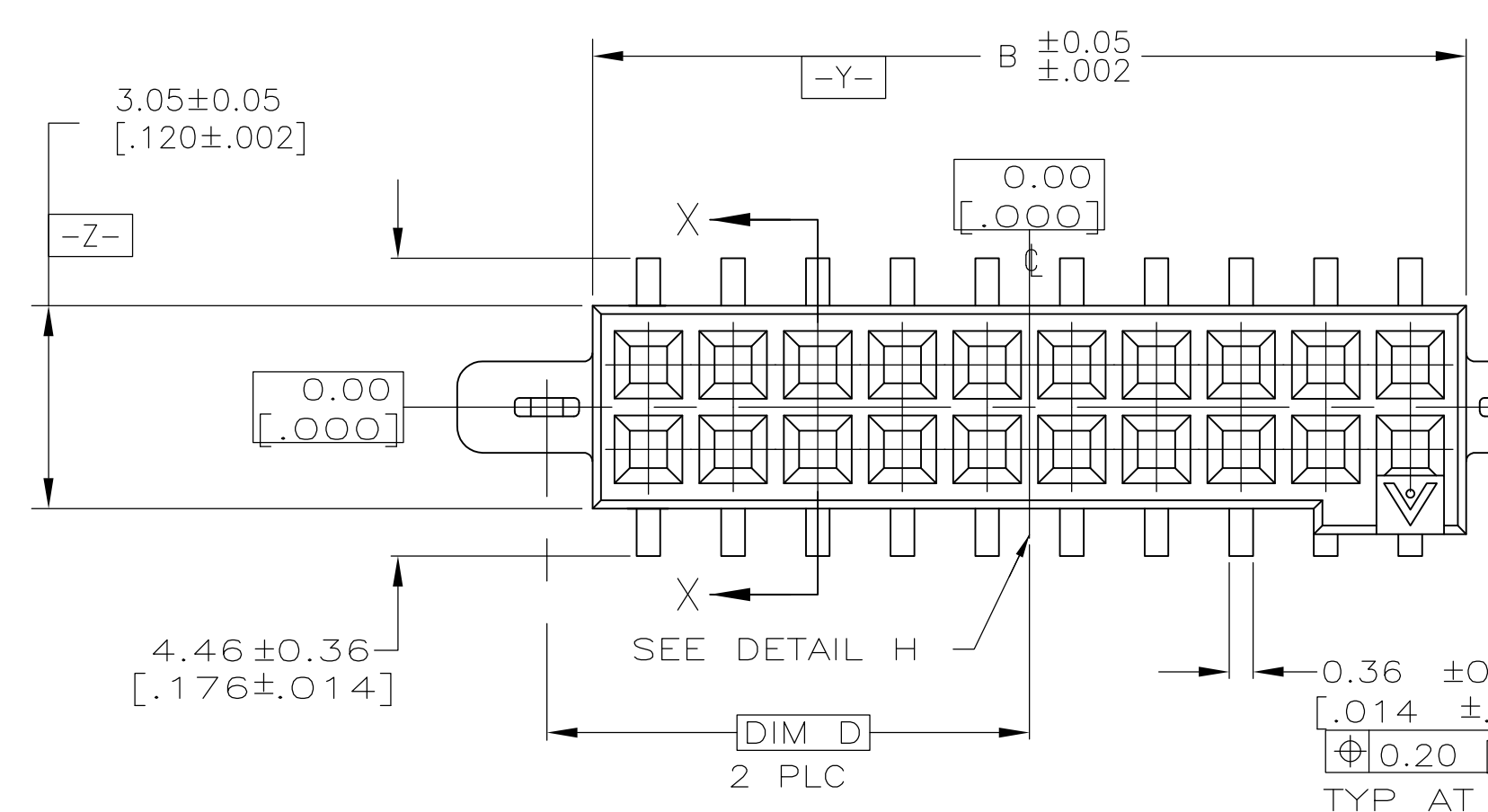
Contact us

Tel: +86-755-8981 8866 Fax: +86-755-8427 6832

Email & Skype: info@chipsmall.com Web: www.chipsmall.com

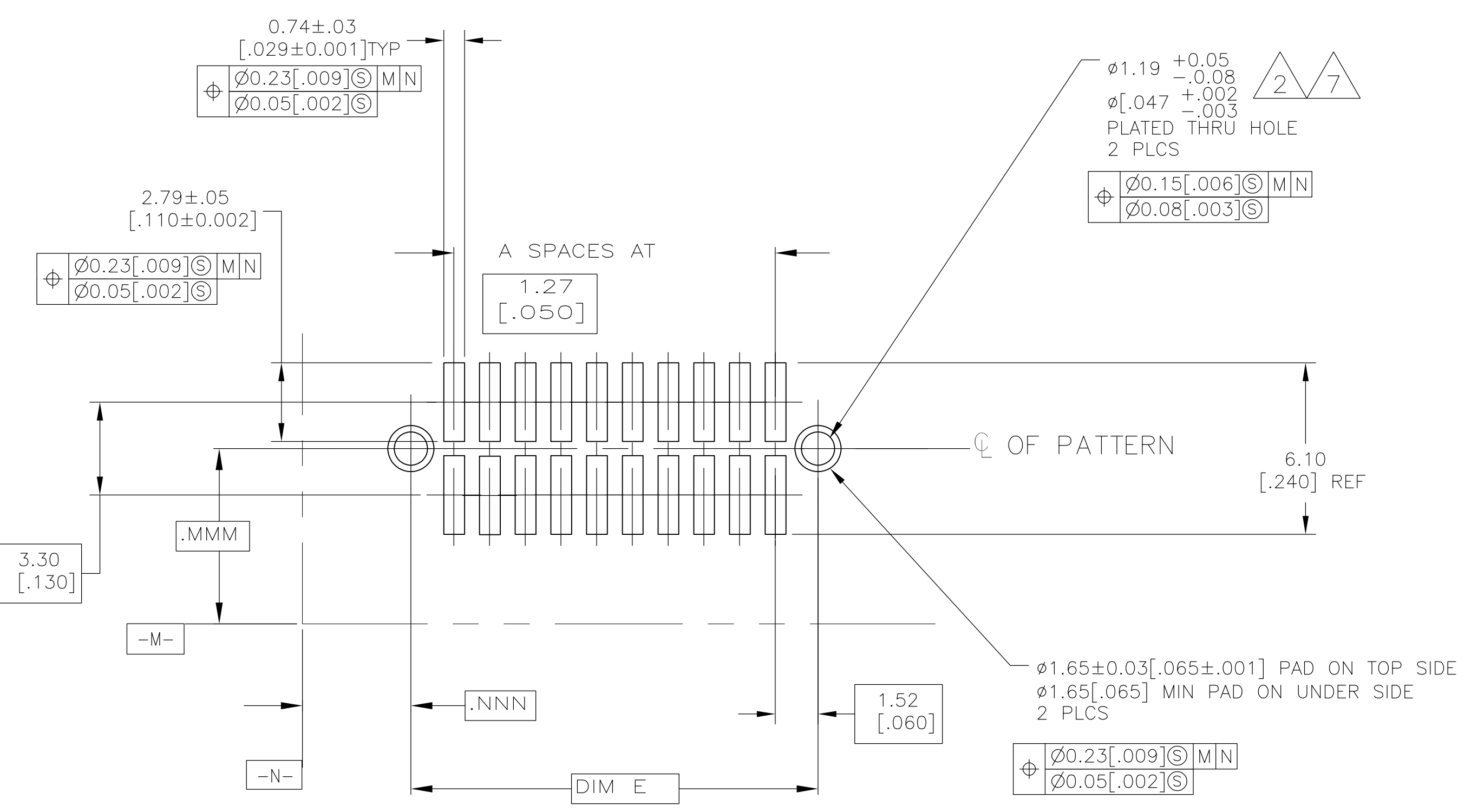
Address: A1208, Overseas Decoration Building, #122 Zhenhua RD., Futian, Shenzhen, China





- 1 0.00076 [.000030] GOLD IN LOCALIZED PLATE AREA
0.00381 [.000150] TIN-LEAD ON SOLDER TAILS
ALL OVER 0.00127 [.000050] NICKEL
- 2 USE 1.32±0.02 [.0520±.0010] DRILLED HOLE (#55 DRILL)
FINISH TO BE TIN/LEAD OVER 0.02 [.001] MIN COPPER
- 3 PLATING: 0.0038 [.000150] TIN-LEAD OVER 0.00127 [.000050] NICKEL
- 4 IF PLANNING TO USE MORE THAN ONE MATING PAIR OF CONNECTORS
TO INTERCONNECT 2 BOARDS, PLEASE REFER TO "SPACING"
PARAGRAPH IN THE APPLICATION SPEC, #114-7010
- 5 HOUSING: LCP, COLOR:BLACK.
CONTACT: COPPER ALLOY PER ASTM SPECIFICATION B422.
HOLDDOWN: COPPER ALLOY PER ASTM SPECIFICATION B194.
- 6 0.00076 [.000030] GOLD IN LOCALIZED PLATE AREA
0.00381 [.000150] TIN ON SOLDER TAILS
ALL OVER 0.00127 [.000050] NICKEL
- 7 USE 1.32±0.02 [.0520±.0010] DRILLED HOLE (#55 DRILL)
FINISH TO BE TIN OVER 0.02 [.001] MIN COPPER
- 8 PLATING: 0.0038 [.000150] TIN OVER 0.00127 [.000050] NICKEL
- 9 PRELIMINARY PART - NOT RELEASED FOR PRODUCTION.

6/8	11.93	5.97	14.63	10.56	7	16	6-104652-1					
6/8	65.28	32.640	67.97	63.91	49	100	6-104652-0					
6/8	58.93	29.46	61.62	57.56	44	90	5-104652-9					
6/8	2.320	1.160	2.426	2.266	39	80	5-104652-8					
6/8	52.58	26.290	55.27	51.21	34	70	5-104652-7					
6/8	2.070	1.035	2.176	2.016	29	60	5-104652-6					
6/8	46.23	23.11	48.92	44.86	24	50	5-104652-5					
6/8	1.820	0.910	1.926	1.766	19	40	5-104652-4					
6/8	39.88	19.940	42.57	38.51	14	30	5-104652-3					
6/8	1.570	0.785	1.676	1.516	9	20	5-104652-2					
6/8	33.53	16.76	36.22	32.16	4	10	5-104652-1					
6/8	1.320	0.660	1.426	1.266	7	16	1-104652-1					
6/8	27.18	13.590	29.87	25.81	49	100	1-104652-0					
6/8	1.070	0.535	1.176	1.016	44	90	104652-9					
6/8	20.83	10.41	23.52	19.46	39	80	104652-8					
6/8	0.820	0.410	0.926	0.766	34	70	104652-7					
6/8	14.48	7.240	17.17	13.11	29	60	104652-6					
6/8	0.570	0.285	0.676	0.516	24	50	104652-5					
6/8	8.12	4.06	10.82	6.75	19	40	104652-4					
6/8	0.320	0.160	0.426	0.266	14	30	104652-3					
1/3	11.93	5.97	14.63	10.56	9	20	104652-2					
1/3	65.28	32.640	67.97	63.91	4	10	104652-1					
1/3	2.570	1.285	2.676	2.516	7	16	1-104652-1					
1/3	58.93	29.46	61.62	57.56	49	100	1-104652-0					
1/3	2.320	1.160	2.426	2.266	44	90	104652-9					
1/3	52.58	26.290	55.27	51.21	39	80	104652-8					
1/3	2.070	1.035	2.176	2.016	34	70	104652-7					
1/3	46.23	23.11	48.92	44.86	29	60	104652-6					
1/3	1.820	0.910	1.926	1.766	24	50	104652-5					
1/3	39.88	19.940	42.57	38.51	19	40	104652-4					
1/3	1.570	0.785	1.676	1.516	14	30	104652-3					
1/3	33.53	16.76	36.22	32.16	9	20	104652-2					
1/3	1.320	0.660	1.426	1.266	4	10	104652-1					
1/3	27.18	13.590	29.87	25.81	FINISH	E	D	C	B	A	NO OF POS	PART NUMBER
1/3	1.070	0.535	1.176	1.016								
1/3	20.83	10.41	23.52	19.46								
1/3	0.820	0.410	0.926	0.766								
1/3	14.48	7.240	17.17	13.11								
1/3	0.570	0.285	0.676	0.516								
1/3	8.12	4.06	10.82	6.75								
1/3	0.320	0.160	0.426	0.266								



RECOMMENDED BOARD LAYOUT
SCALE: 7:1

THIS DRAWING IS A CONTROLLED DOCUMENT. DATE: 08/07/91. KATE HELM. CHK: D. GORENC. 8/12/91. NAME: ASSEMBLY, RECEPTACLE, VERTICAL, DOUBLE ROW, SURFACE MOUNT, AMPMODU 50/50 GRID CONNECTOR. PRODUCT SPEC: 108-1332. APPLICATION SPEC: 114-7010. WEIGHT: -. SIZE: A1. CAGE CODE: 00779. DRAWING NO: 104652. CUSTOMER DRAWING. SCALE: 10:1. SHEET: 1 OF 1. REV: L1.