



Chipsmall Limited consists of a professional team with an average of over 10 year of expertise in the distribution of electronic components. Based in Hongkong, we have already established firm and mutual-benefit business relationships with customers from,Europe,America and south Asia,supplying obsolete and hard-to-find components to meet their specific needs.

With the principle of "Quality Parts,Customers Priority,Honest Operation,and Considerate Service",our business mainly focus on the distribution of electronic components. Line cards we deal with include Microchip,ALPS,ROHM,Xilinx,Pulse,ON,Everlight and Freescale. Main products comprise IC,Modules,Potentiometer,IC Socket,Relay,Connector.Our parts cover such applications as commercial,industrial, and automotives areas.

We are looking forward to setting up business relationship with you and hope to provide you with the best service and solution. Let us make a better world for our industry!



Contact us

Tel: +86-755-8981 8866 Fax: +86-755-8427 6832

Email & Skype: info@chipsmall.com Web: www.chipsmall.com

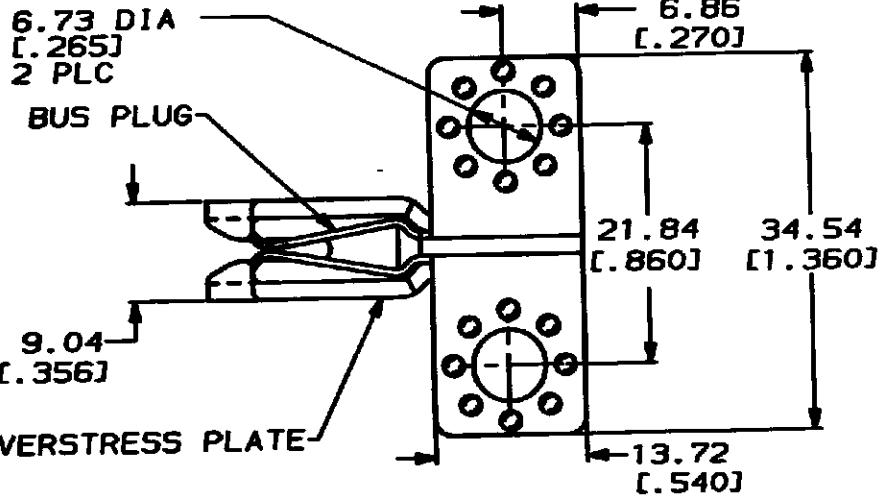
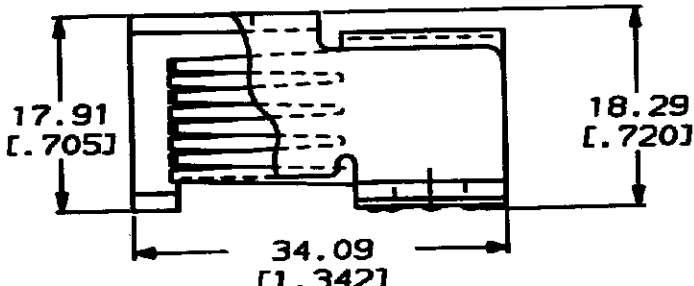
Address: A1208, Overseas Decoration Building, #122 Zhenhua RD., Futian, Shenzhen, China



DRAWING MADE IN THIRD ANGLE PROJECTION

LOC	DIST	P	F	REVISIONS			
				LTR	DESCRIPTION	DATE	APPROVED
BG	5			F	REVISION PER B6648	04/92	<i>[Signature]</i>

THIS DRAWING IS UNPUBLISHED. RELEASED FOR PUBLICATION BY AMP OF CANADA LTD. ALL INTERNATIONAL RIGHTS RESERVED. © COPYRIGHT 19



1. PARTS ASSEMBLED AS SHOWN
2. ALL DIMENSIONS REFERENCE ONLY

METRIC

104729-1

PART NO

DO NOT SCALE PRINT. UNLESS SPECIFIED DIMENSIONS IN mm (1/16) TOLERANCES ON:	DR 8-28-80 6 BOUTY
2 PLC DEC * -	CHK G. HANCOCK
3 PLC DEC * -	APPD -
ANGLES * -	APPD -
MATERIAL	PRODUCT SPEC
BUS PLUG, COPPER ALLOY	108-1380
ANTI-OVERSTRESS PLATE, S.S.	APPLICATION SPEC
	114-2130
FINISH	WEIGHT -
BUS PLUG: Ag/Ni	
ANTI-OVERSTRESS PLATE: PASSIVATED	

AMP AMP of CANADA Ltd.
Markham, Ont.

AMP PDS 062F BUS PLUG W/GUIDE

SIZE	CAGE CODE	DRAWING NO
A	09482	104729
SCALE	SHEET	
NTS	1 of 1	

AMP 1488-32 REV 11-88

CUSTOMER DRAWING