



Chipsmall Limited consists of a professional team with an average of over 10 year of expertise in the distribution of electronic components. Based in Hongkong, we have already established firm and mutual-benefit business relationships with customers from,Europe,America and south Asia,supplying obsolete and hard-to-find components to meet their specific needs.

With the principle of "Quality Parts,Customers Priority,Honest Operation,and Considerate Service",our business mainly focus on the distribution of electronic components. Line cards we deal with include Microchip,ALPS,ROHM,Xilinx,Pulse,ON,Everlight and Freescale. Main products comprise IC,Modules,Potentiometer,IC Socket,Relay,Connector.Our parts cover such applications as commercial,industrial, and automotives areas.

We are looking forward to setting up business relationship with you and hope to provide you with the best service and solution. Let us make a better world for our industry!



## Contact us

Tel: +86-755-8981 8866 Fax: +86-755-8427 6832

Email & Skype: info@chipsmall.com Web: www.chipsmall.com

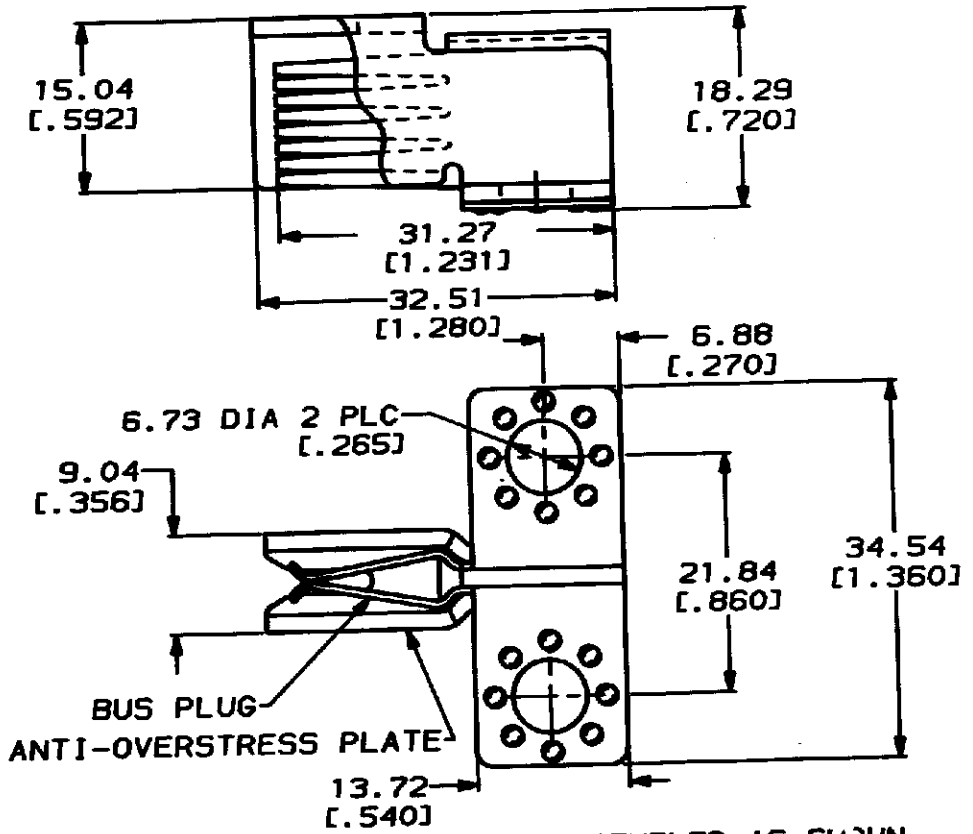
Address: A1208, Overseas Decoration Building, #122 Zhenhua RD., Futian, Shenzhen, China



DRAWING MADE IN THIRD ANGLE PROJECTION

LOC		DIST		REVISIONS			DATE	APPROVED
BG	5	P	F	LTR	DESCRIPTION		04/92	<i>Gene</i>
				E	REVISION PER BG 648			

THIS DRAWING IS UNPUBLISHED. RELEASED FOR PUBLICATION BY AMP OF CANADA LTD. ALL INTERNATIONAL RIGHTS RESERVED. COPYRIGHT 1988



1. PARTS ASSEMBLED AS SHOWN
2. ALL DIMENSIONS REFERENCE ONLY



104736-1  
PART NO

DO NOT SCALE PRINT. UNLESS SPECIFIED DIMENSIONS IN mm (IN) TOLERANCES ON:	DR 18-3-90 0 DENSITY
2 PLC DEC ± -	CHK 6.4-11/88
3 PLC DEC ± -	APPD -
ANGLES ± -	APPD -
MATERIAL	APPD -
BUS PLUG, COPPER ALLOY	PRODUCT SPEC
ANTI-OVERSTRESS PLATE, S.S.	108-1380
FINISH	APPLICATION SPEC
BUS PLUG, Ag/Ni	114-2130
ANTI-OVERSTRESS PLATE, PASSIVATED	WEIGHT -

<b>AMP</b> AMP of CANADA Ltd. Markham, Ont.		
NAME AMP PDS 062F BUS PLUG W/GUIDE (SHORT)		
SIZE <b>A</b>	CAGE CODE 09482	DRAWING NO 104736
SCALE NTS	SHEET 1 of 1	

AMP 1488-32 REV 11-88  
12 00 000 11.55.85

CUSTOMER DRAWING