



Chipsmall Limited consists of a professional team with an average of over 10 year of expertise in the distribution of electronic components. Based in Hongkong, we have already established firm and mutual-benefit business relationships with customers from,Europe,America and south Asia,supplying obsolete and hard-to-find components to meet their specific needs.

With the principle of “Quality Parts,Customers Priority,Honest Operation,and Considerate Service”,our business mainly focus on the distribution of electronic components. Line cards we deal with include Microchip,ALPS,ROHM,Xilinx,Pulse,ON,Everlight and Freescale. Main products comprise IC,Modules,Potentiometer,IC Socket,Relay,Connector.Our parts cover such applications as commercial,industrial, and automotives areas.

We are looking forward to setting up business relationship with you and hope to provide you with the best service and solution. Let us make a better world for our industry!



Contact us

Tel: +86-755-8981 8866 Fax: +86-755-8427 6832

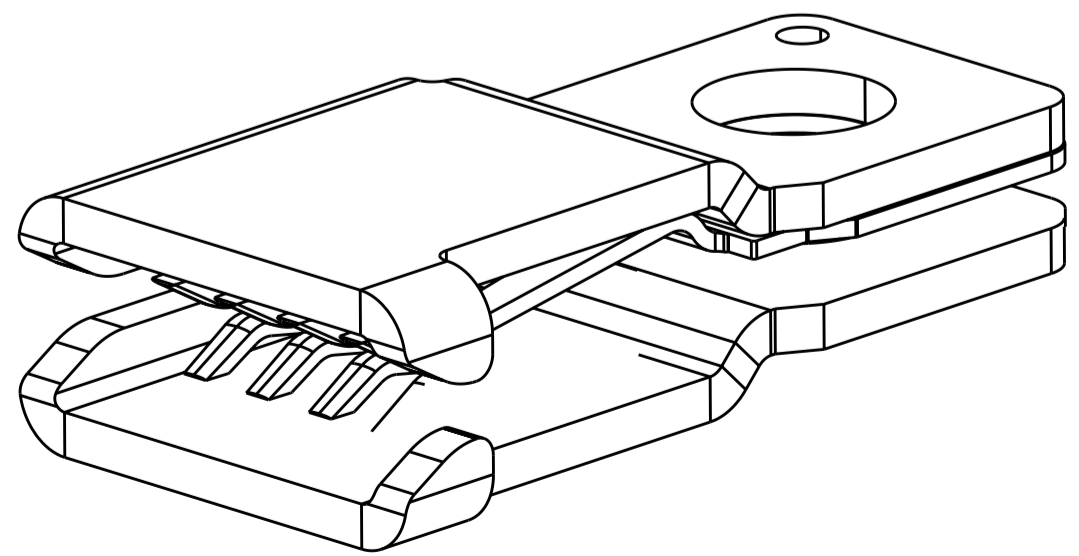
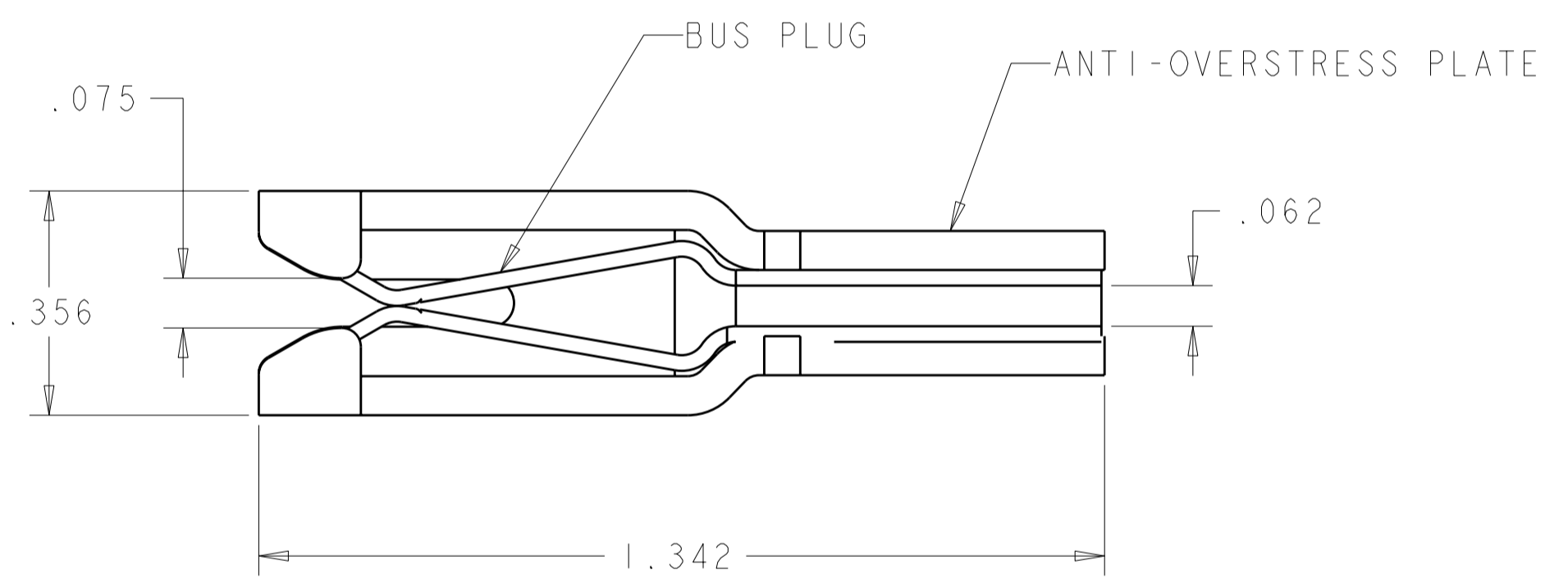
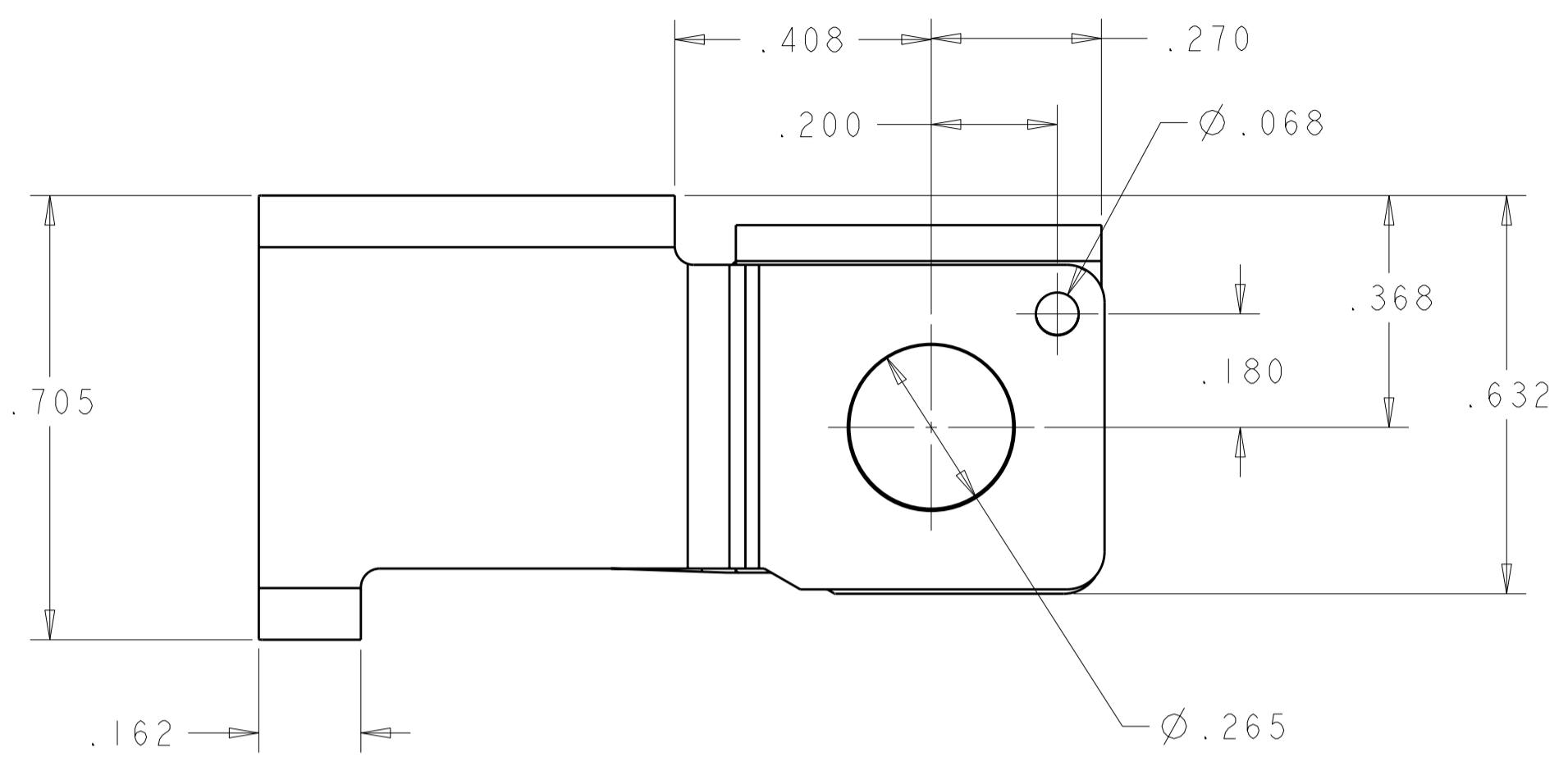
Email & Skype: info@chipsmall.com Web: www.chipsmall.com

Address: A1208, Overseas Decoration Building, #122 Zhenhua RD., Futian, Shenzhen, China



THIS DRAWING IS UNPUBLISHED. RELEASED FOR PUBLICATION 20
 © COPYRIGHT 20 ALL RIGHTS RESERVED.

LOC		DIST		REVISIONS			
P	LTR	DESCRIPTION	DATE	DWN	APVD		
GP	00	HI	REVISED PER ECO-11-005301	20APR2011	RK	HMR	



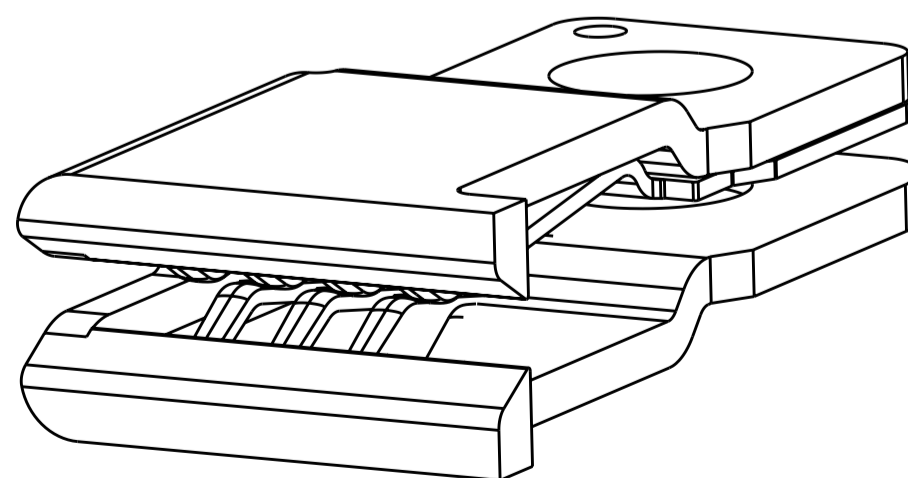
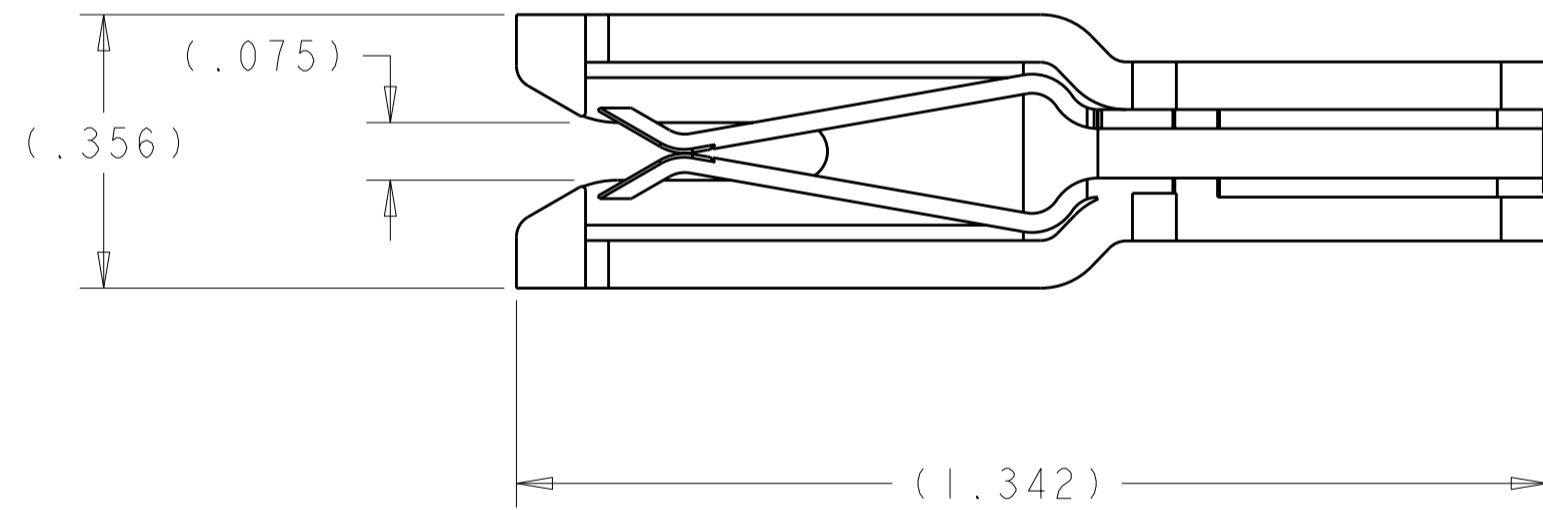
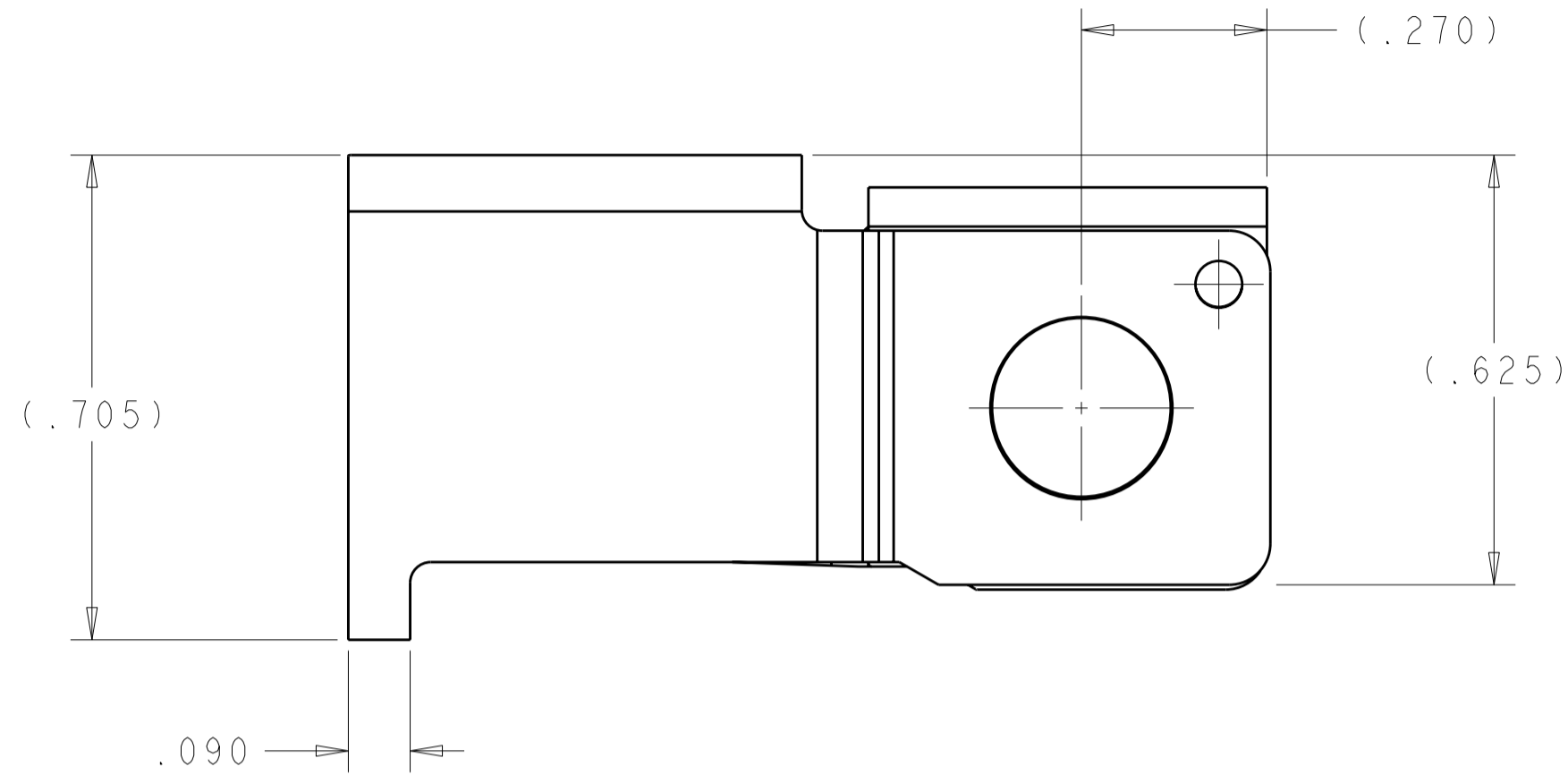
- COMPONENTS UNASSEMBLED IN A SEALED POLY BAG.
- MATERIAL:
ANTI-OVERSTRESS PLATE - STAINLESS STEEL
BUS PLUG - COPPER ALLOY
- FINISH:
SILVER PLATE .000250 MIN THK. OVER
NICKEL .000050 MIN THK.
- MATERIAL:
ANTI-OVERSTRESS PLATE - PEI, 30% GLASS FILLED, UL94V-0
BUS PLUG - COPPER ALLOY
- ITEMS PROVIDED TO THIS SPECIFICATION TO BE PERMANENTLY IDENTIFIED ON THE CONTAINER PER THE FOLLOWING IDENTIFIER LABEL:

TE CONNECTIVITY P/N: XXXXXXXX-X
 DATE CODE (e.g. 0106): YEAR 1 WEEK 1
 XXXX

THIS DRAWING IS A CONTROLLED DOCUMENT.		DWN: 08FEB2008 R. GRZYBOWSKI	DESCRIPTION: AMP PDS .062F2 SERIES W/ GUIDE	
DIMENSIONS: INCHES		CHK: 08FEB2008 A. FRANTUM	PART NUMBER: 104742-1	
TOLERANCES UNLESS OTHERWISE SPECIFIED:		APVD: 08FEB2008 S. FLICKINGER	TE Connectivity	
0 PLC ±	1 PLC ±	PRODUCT SPEC	RESTRICTED TO	
2 PLC ±	3 PLC ±.015	APPLICATION SPEC	-	
4 PLC ±	ANGLES ±	WEIGHT	-	
MATERIAL	FINISH	CUSTOMER DRAWING	SIZE: A2	CAGE CODE: 00779
		SCALE: 4:1	DRAWING NO: 104742	SHEET 1 OF 2

THIS DRAWING IS UNPUBLISHED. RELEASED FOR PUBLICATION 20
 © COPYRIGHT 20 ALL RIGHTS RESERVED.

LOC	DIST	REVISIONS					
GP	00	P	LTR	DESCRIPTION	DATE	DWN	APVD
		-		SEE SHEET 1			



THIS DRAWING IS A CONTROLLED DOCUMENT.		DWN 08FEB2008 R. GRZYBOWSKI	3 4		104742-2	
DIMENSIONS: INCHES		CHK 08FEB2008 A. FRANTUM	DESCRIPTION		PART NUMBER	
TOLERANCES UNLESS OTHERWISE SPECIFIED:		APVD 08FEB2008 S. FLICKINGER	TE Connectivity		AMP PDS .062F2 SERIES W/ GUIDE	
0 PLC ± 1 PLC ± 2 PLC ± 3 PLC ±.015 4 PLC ± ANGLES ± FINISH		PRODUCT SPEC				
MATERIAL		APPLICATION SPEC	A200779		C-104742	
		WEIGHT	SCALE 4:1		SHEET 2 OF 2 REV. HI	
		CUSTOMER DRAWING				