



Chipsmall Limited consists of a professional team with an average of over 10 year of expertise in the distribution of electronic components. Based in Hongkong, we have already established firm and mutual-benefit business relationships with customers from,Europe,America and south Asia,supplying obsolete and hard-to-find components to meet their specific needs.

With the principle of “Quality Parts,Customers Priority,Honest Operation,and Considerate Service”,our business mainly focus on the distribution of electronic components. Line cards we deal with include Microchip,ALPS,ROHM,Xilinx,Pulse,ON,Everlight and Freescale. Main products comprise IC,Modules,Potentiometer,IC Socket,Relay,Connector.Our parts cover such applications as commercial,industrial, and automotives areas.

We are looking forward to setting up business relationship with you and hope to provide you with the best service and solution. Let us make a better world for our industry!



## Contact us

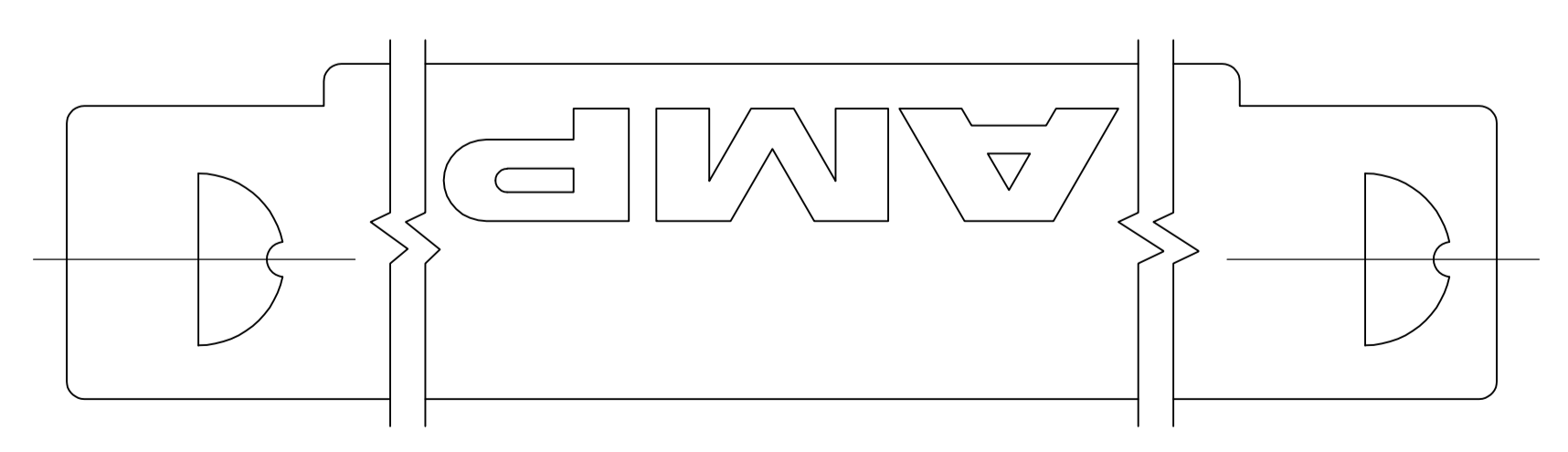
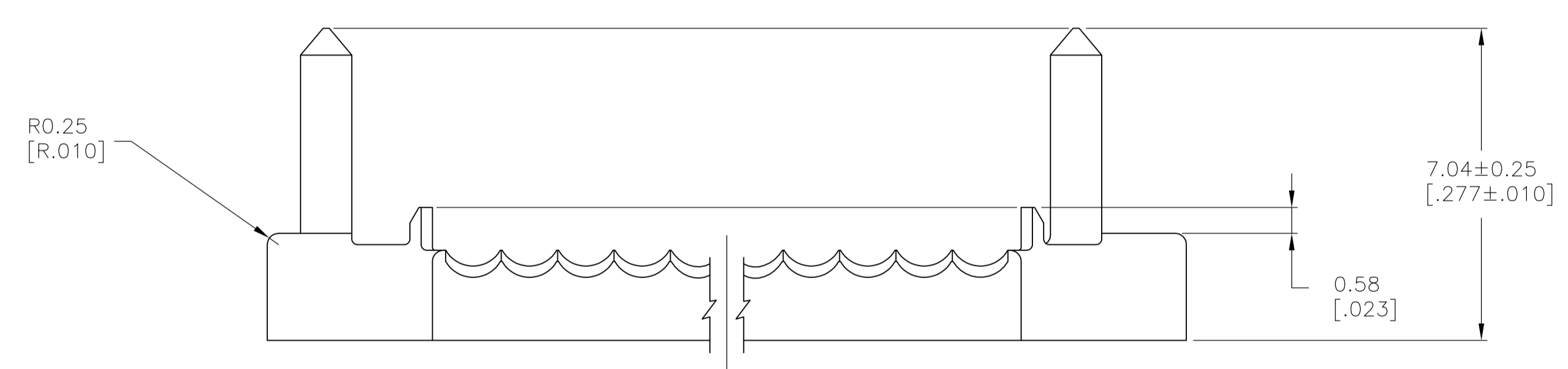
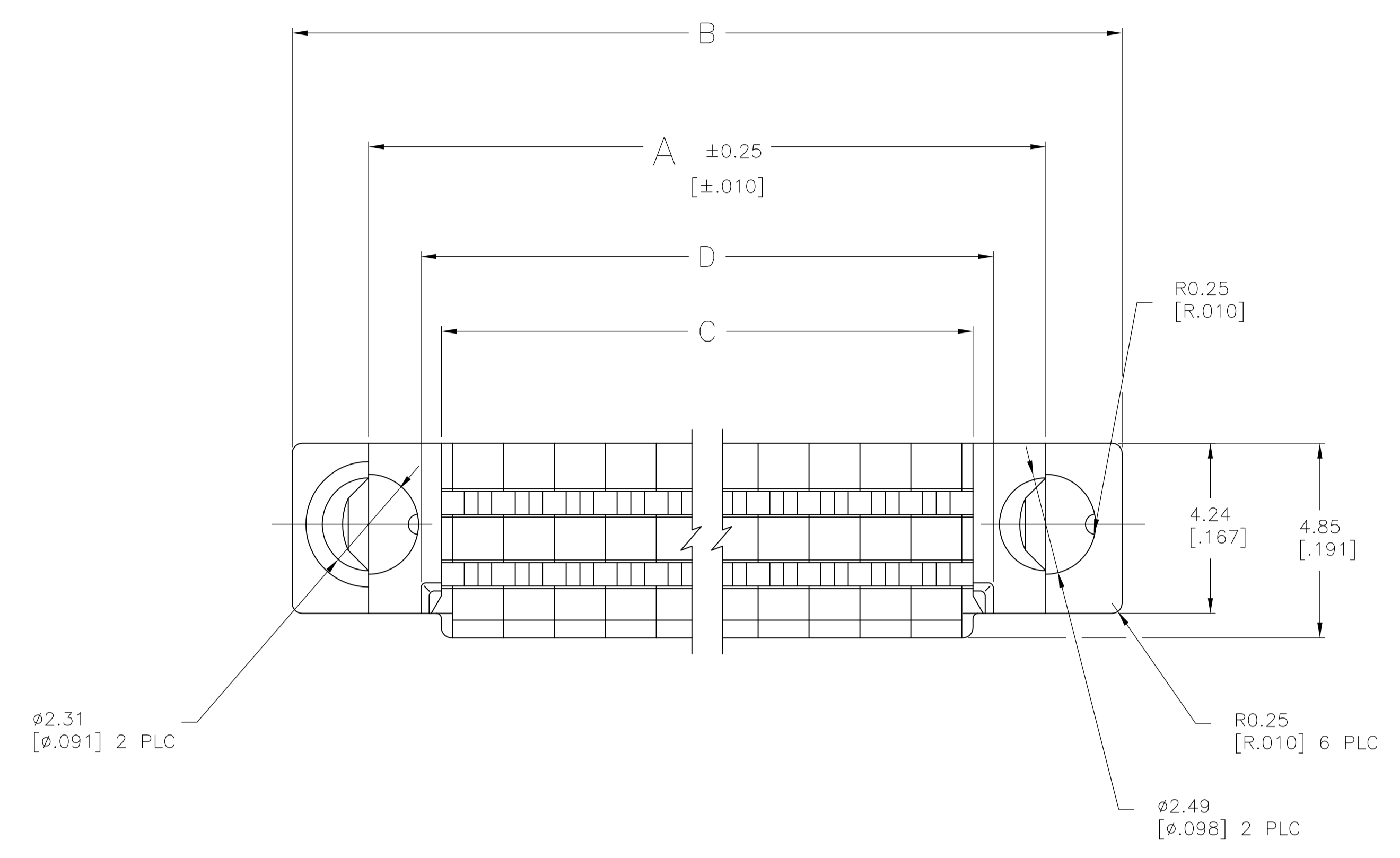
Tel: +86-755-8981 8866 Fax: +86-755-8427 6832

Email & Skype: info@chipsmall.com Web: www.chipsmall.com

Address: A1208, Overseas Decoration Building, #122 Zhenhua RD., Futian, Shenzhen, China



- 1 MATERIAL: POLYESTER, BLACK.
- 2 OBSOLETE PART NUMBER.
- 3 OBSOLETE PARTS: OBSOLETE CIS STREAMLINING PER D.RENAUD/D.SINISI



2	44.76	43.74	51.18	47.37	68	1-104891-1
	[1.762]	[1.722]	[2.015]	[1.865]		
100	65.08	64.06	71.50	67.69	100	1-104891-0
	[2.562]	[2.522]	[2.815]	[2.665]		
3	58.73	57.71	65.15	61.34	90	104891-9
	[2.312]	[2.272]	[2.565]	[2.415]		
80	52.38	51.36	58.80	54.99	80	104891-8
	[2.062]	[2.022]	[2.315]	[2.165]		
70	46.03	45.01	52.45	48.64	70	104891-7
	[1.812]	[1.772]	[2.065]	[1.915]		
60	39.68	38.66	46.10	42.29	60	104891-6
	[1.562]	[1.522]	[1.815]	[1.665]		
50	33.33	32.31	39.75	35.94	50	104891-5
	[1.312]	[1.272]	[1.565]	[1.415]		
40	26.98	25.96	33.82	29.59	40	104891-4
	[1.062]	[1.022]	[1.315]	[1.165]		
30	20.63	19.61	27.05	23.24	30	104891-3
	[.812]	[.772]	[1.065]	[.915]		
20	14.28	13.26	20.70	16.89	20	104891-2
	[.562]	[.522]	[.815]	[.665]		
10	7.92	6.91	14.35	10.54	10	104891-1
	[.312]	[.272]	[.565]	[.415]		
	D	C	B	A	NO OF POSN	PART NUMBER

THIS DRAWING IS A CONTROLLED DOCUMENT.		DIN L. CASTAGNA 23JUN93		TE Connectivity	
DIMENSIONS: mm [INCHES]		TOLERANCES UNLESS OTHERWISE SPECIFIED:			
0 PLC ± - 1 PLC ± - 2 PLC ± 0.36[.015] 3 PLC ± - 4 PLC ± - ANGLES ± -		CDR J. HERRINGTON 24JUN93 APVD J. HERRINGTON 24JUN93 NAME PRODUCT SPEC 108-1443 APPLICATION SPEC 114-7010		SIZE CAGE CODE DRAWING NO A1 00779 C=104891	
MATERIAL 1		FINISH -		WEIGHT - CUSTOMER DRAWING	
				SCALE 10:1 SHEET 1 OF 1 REV C2	