



Chipsmall Limited consists of a professional team with an average of over 10 year of expertise in the distribution of electronic components. Based in Hongkong, we have already established firm and mutual-benefit business relationships with customers from,Europe,America and south Asia,supplying obsolete and hard-to-find components to meet their specific needs.

With the principle of “Quality Parts,Customers Priority,Honest Operation,and Considerate Service”,our business mainly focus on the distribution of electronic components. Line cards we deal with include Microchip,ALPS,ROHM,Xilinx,Pulse,ON,Everlight and Freescale. Main products comprise IC,Modules,Potentiometer,IC Socket,Relay,Connector.Our parts cover such applications as commercial,industrial, and automotives areas.

We are looking forward to setting up business relationship with you and hope to provide you with the best service and solution. Let us make a better world for our industry!



## Contact us

Tel: +86-755-8981 8866 Fax: +86-755-8427 6832

Email & Skype: info@chipsmall.com Web: www.chipsmall.com

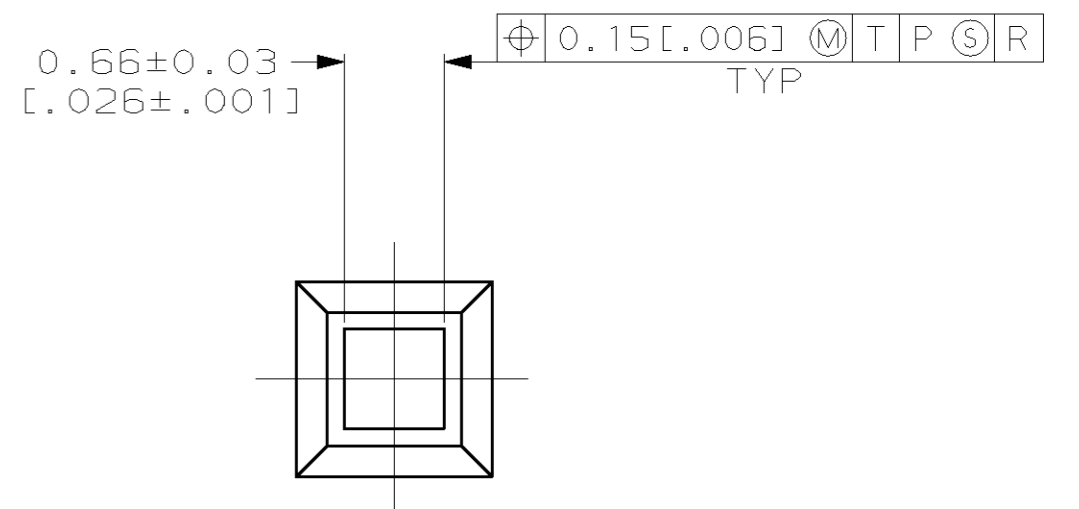
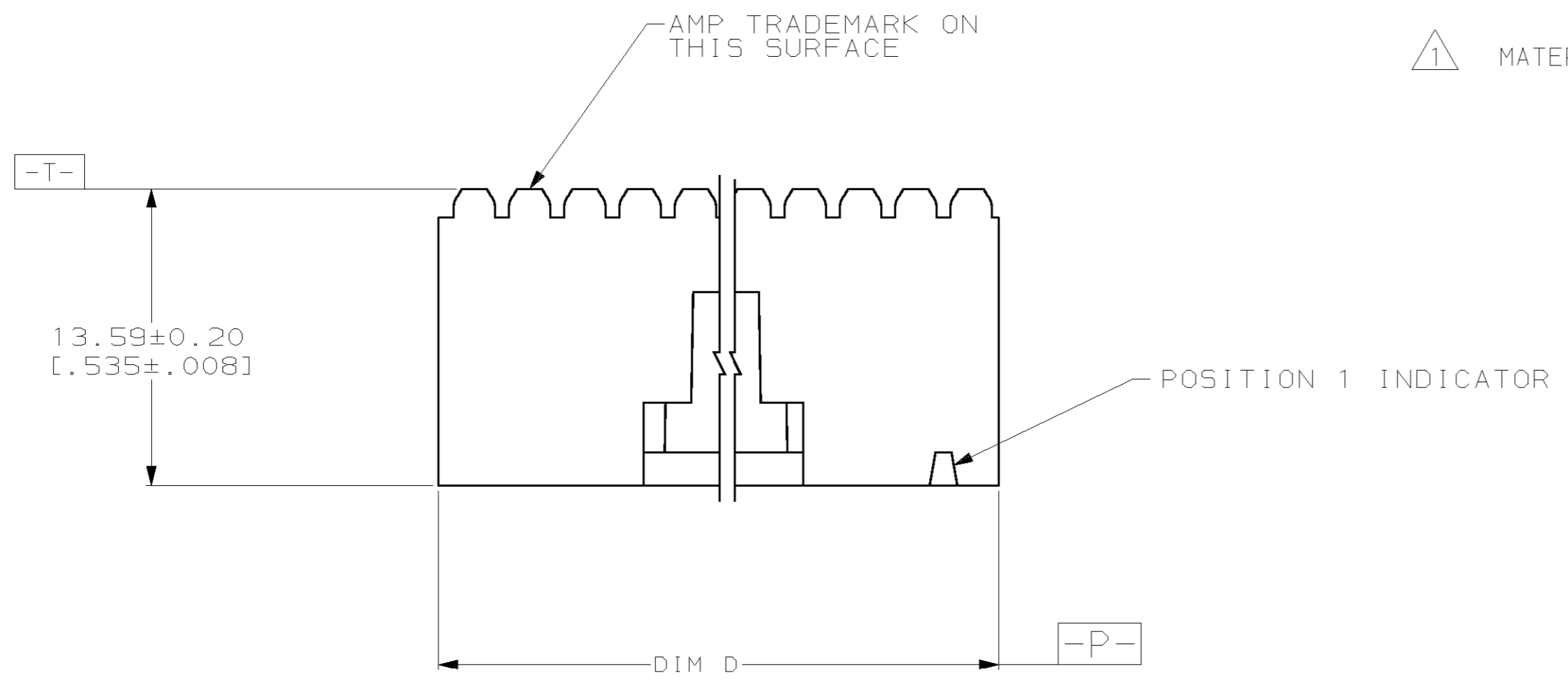
Address: A1208, Overseas Decoration Building, #122 Zhenhua RD., Futian, Shenzhen, China



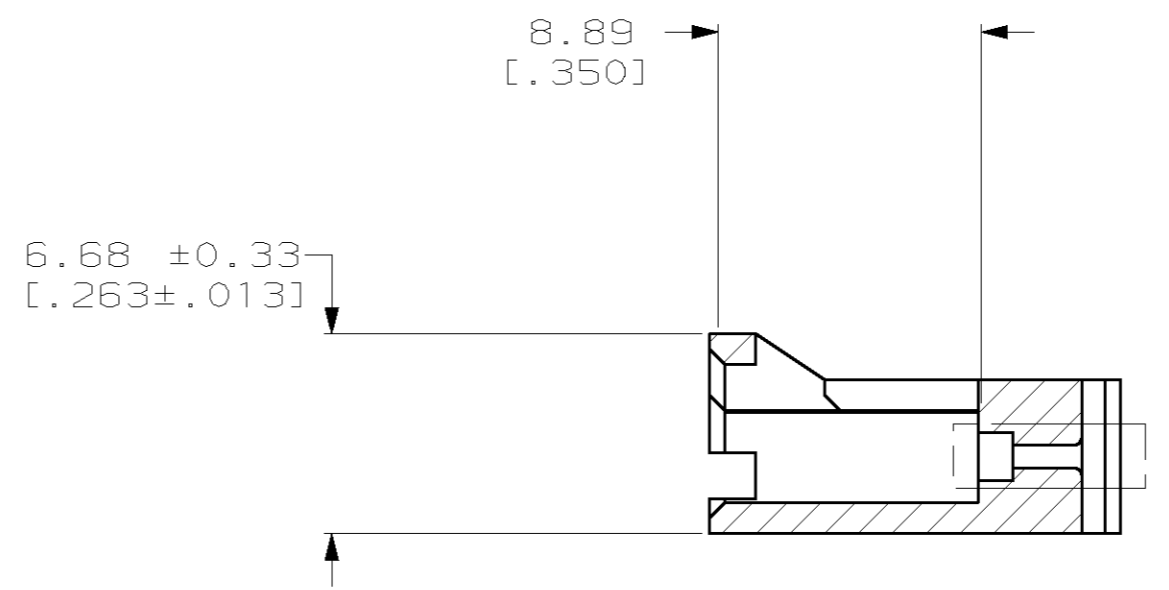
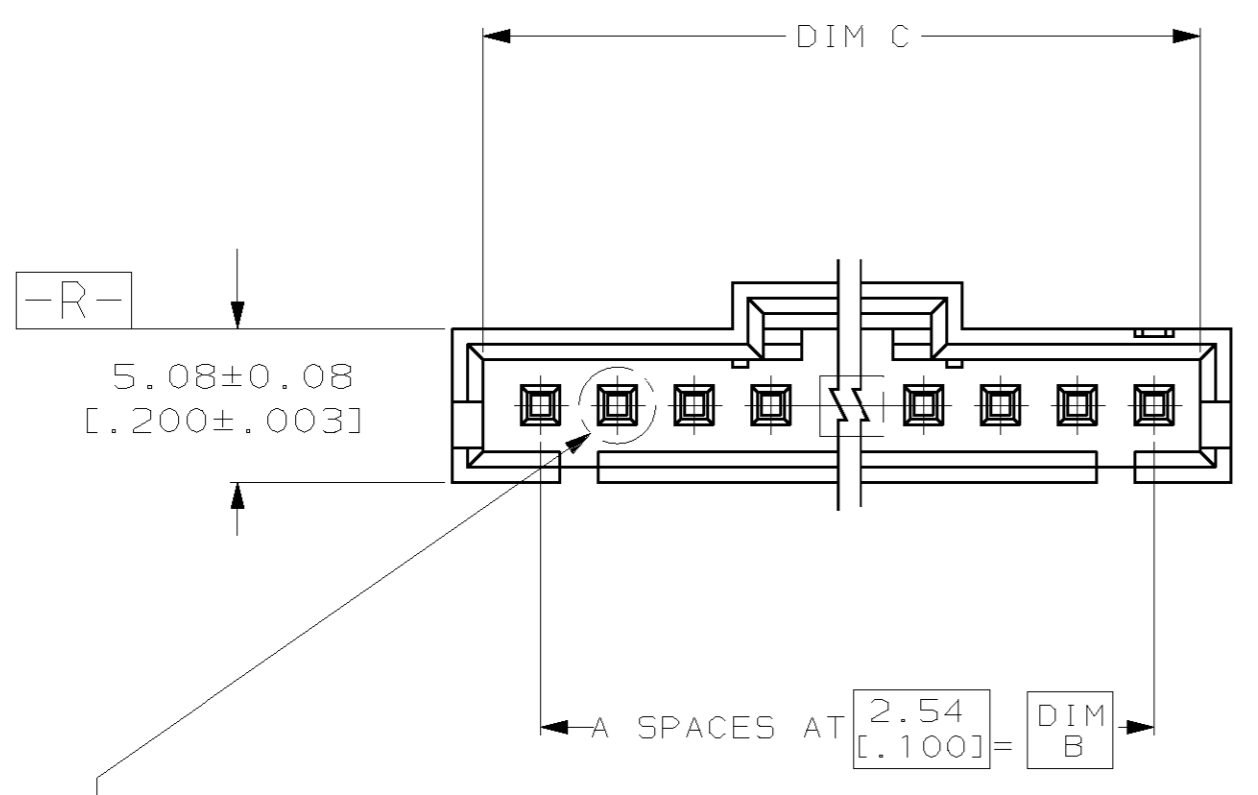
THIS DRAWING IS UNPUBLISHED. RELEASED FOR PUBLICATION .19  
 © COPYRIGHT 19 BY AMP INCORPORATED. ALL RIGHTS RESERVED.

LOC		DIST		REVISIONS			
P	LTR	DESCRIPTION	DATE	DWN	APVD		
	0	RELEASED	29JUN98	BH	BS		
	A	RELEASED PER 0621-0317-98	14DEC98	BH	JDV		
	B	REV PER 051A-0076-99	27SEP99	BH	KW		

1 MATERIAL: HOUSING, FLAME RETARDANT THERMOPLASTIC, COLOR-BLACK



SEE DETAIL W  
SCALE 20:1



30.48 [1.200]	28.45 [1.120]	25.40 [1.000]	10	11	1-104906-0
20.32 [.800]	18.29 [.720]	15.24 [.600]	6	7	104906-6
D	C	B	A	NO OF POSN	PART NUMBER

THIS DRAWING IS A CONTROLLED DOCUMENT.		DWN	29JUN98	AMP Incorporated Harrisburg, PA 17105-3608
DIMENSIONS: MM(INCH)		CHK	29JUN98	
TOLERANCES UNLESS OTHERWISE SPECIFIED:		APVD	29JUN98	
0 PLC ±- 1 PLC ±- 2 PLC ±- 3 PLC ±0.13(.005) 4 PLC ±- ANGLES ±-		NAME	B. SPINK	
MATERIAL 1		PRODUCT SPEC	-	HIGH TEMP HEADER HOUSING, ANPMODU MTE, SINGLE ROW, .100ØVERTICAL MOUNT WITH LATCH
FINISH -		APPLICATION SPEC	-	SIZE CAGE CODE DRAWING NO RESTRICTED TO A2 00779 C- 104906 -
		WEIGHT	-	SCALE 4:1 SHEET 1 OF 1 REV B
		CUSTOMER DRAWING		