



Chipsmall Limited consists of a professional team with an average of over 10 year of expertise in the distribution of electronic components. Based in Hongkong, we have already established firm and mutual-benefit business relationships with customers from,Europe,America and south Asia,supplying obsolete and hard-to-find components to meet their specific needs.

With the principle of “Quality Parts,Customers Priority,Honest Operation,and Considerate Service”,our business mainly focus on the distribution of electronic components. Line cards we deal with include Microchip,ALPS,ROHM,Xilinx,Pulse,ON,Everlight and Freescale. Main products comprise IC,Modules,Potentiometer,IC Socket,Relay,Connector.Our parts cover such applications as commercial,industrial, and automotives areas.

We are looking forward to setting up business relationship with you and hope to provide you with the best service and solution. Let us make a better world for our industry!



Contact us

Tel: +86-755-8981 8866 Fax: +86-755-8427 6832

Email & Skype: info@chipsmall.com Web: www.chipsmall.com

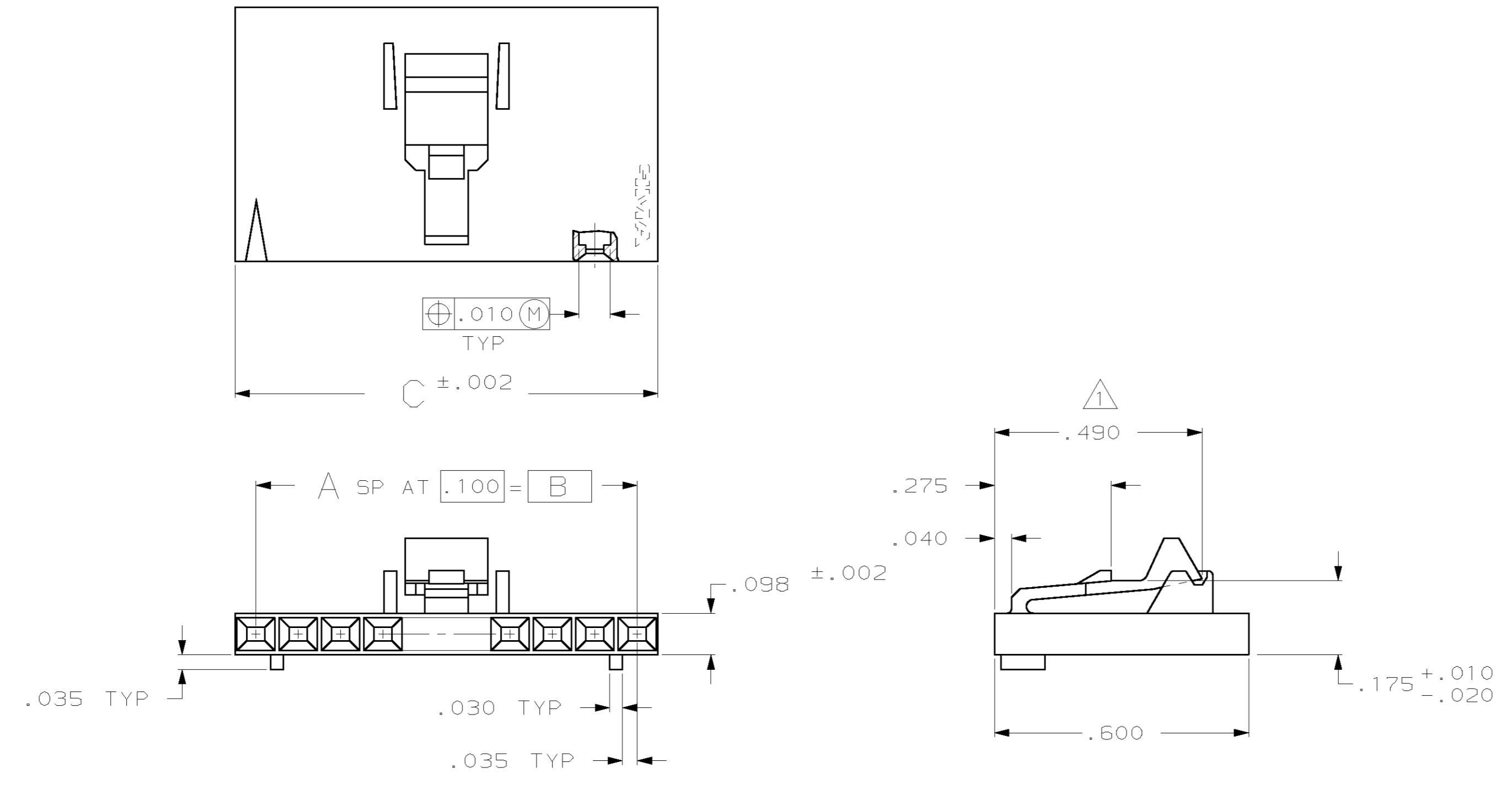
Address: A1208, Overseas Decoration Building, #122 Zhenhua RD., Futian, Shenzhen, China



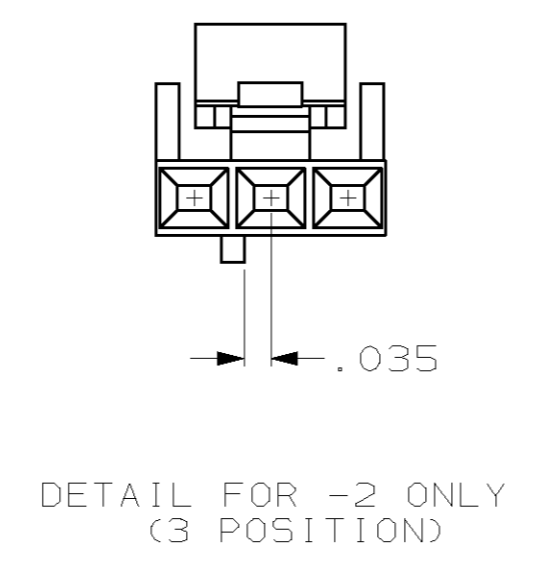
THIS DRAWING IS UNPUBLISHED. RELEASED FOR PUBLICATION .19
 (C) COPYRIGHT 19 BY AMP INCORPORATED. ALL RIGHTS RESERVED.

LOC	DIST	REVISIONS			
P	LTR	DESCRIPTION	DATE	DWN	APVD
AD	39	B	REV PER 063C-0367-04	16AUG04	RB JG

△1 THIS DIMENSION .480 FOR 2 POSN ONLY
 △2 PRELIMINARY PART - NOT RELEASED FOR PRODUCTION.



△2	.998	.900	9	10	104920-9
△2	.898	.800	8	9	104920-8
	.498	.400	4	5	104920-4
	.398	.300	3	4	104920-3
	.298	.200	2	3	104920-2
	C	B	A	NO OF POSN	PART NUMBER



THIS DRAWING IS A CONTROLLED DOCUMENT FOR AMP INCORPORATED. IT IS SUBJECT TO CHANGE AND THE CONTROLLING ENGINEERING ORGANIZATION SHOULD BE CONTACTED FOR THE LATEST REVISION.		DWN	J.HERRINGTON	2-8-95
		CHK	J.GESFORD	2-8-95
		APVD	D.DUPLER	2-8-95
DIMENSIONS: in		NAME		
TOLERANCES UNLESS OTHERWISE SPECIFIED:		AMP Incorporated Harrisburg, PA 17105-3608		
0 PLC	±	RECEPTACLE HOUSING, AMPMODU MTE, SINGLE ROW, .100 CL, POLARIZED WITH LATCH		
1 PLC	±	SIZE		
2 PLC	±	CAGE CODE		
3 PLC	±.005	DRAWING NO		
4 PLC	±	A2 00779 C-104920		
ANGLES	±	SCALE		
FINISH	-	4:1 SHEET 1 OF 1 REV B		
MATERIAL	FLAME RETARDANT POLYCARBONATE	WEIGHT		
		CUSTOMER DRAWING		