



Chipsmall Limited consists of a professional team with an average of over 10 year of expertise in the distribution of electronic components. Based in Hongkong, we have already established firm and mutual-benefit business relationships with customers from,Europe,America and south Asia,supplying obsolete and hard-to-find components to meet their specific needs.

With the principle of “Quality Parts,Customers Priority,Honest Operation,and Considerate Service”,our business mainly focus on the distribution of electronic components. Line cards we deal with include Microchip,ALPS,ROHM,Xilinx,Pulse,ON,Everlight and Freescale. Main products comprise IC,Modules,Potentiometer,IC Socket,Relay,Connector.Our parts cover such applications as commercial,industrial, and automotives areas.

We are looking forward to setting up business relationship with you and hope to provide you with the best service and solution. Let us make a better world for our industry!



## Contact us

Tel: +86-755-8981 8866 Fax: +86-755-8427 6832

Email & Skype: info@chipsmall.com Web: www.chipsmall.com

Address: A1208, Overseas Decoration Building, #122 Zhenhua RD., Futian, Shenzhen, China



# Tip Jack

## Insulated Metal Clad: Military Type

### SPECIFICATIONS

**Contact:** Brass per QQ-B-626D with wrap around beryllium copper spring per QQ-C-533

**Finish:** Gold

**Body:** Nylon 6/6 per ASTM D4066

**Threaded Brass Jacket:** Per QQ-B-626D, nickel plated

**Hardware:** Nickel plated washer and nut (unassembled)

**Panel Thickness:** Up to .218 (5.45)

### RATINGS

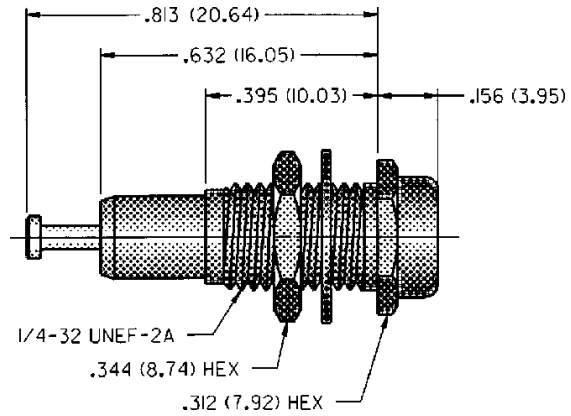
**Current:** 10 amps

**Breakdown Voltage:** 5700 Vrms minimum

**Contact Resistance:** 0.004 ohms maximum

**Contact-To-Panel C:** 2 pF nominal

Manufactured to meet MIL-C-39024/10



GOLD PLATING		
JCI PART NO. TO MIL-SPEC. PART NO. CROSS REFERENCE		
PART NO.	COLOR	MIL-C-39024/10
105-0202-200	Red	-02

**For Standard Tip Plug: .080 (2.00) Diameter**

### FEATURES:

- Machined contact with turret terminal
- For military or industrial applications
- Closed entry blocks access of probes greater than .085 (2.16)
- Nylon UL approved for self extinguishing