



Chipsmall Limited consists of a professional team with an average of over 10 year of expertise in the distribution of electronic components. Based in Hongkong, we have already established firm and mutual-benefit business relationships with customers from,Europe,America and south Asia,supplying obsolete and hard-to-find components to meet their specific needs.

With the principle of “Quality Parts,Customers Priority,Honest Operation,and Considerate Service”,our business mainly focus on the distribution of electronic components. Line cards we deal with include Microchip,ALPS,ROHM,Xilinx,Pulse,ON,Everlight and Freescale. Main products comprise IC,Modules,Potentiometer,IC Socket,Relay,Connector.Our parts cover such applications as commercial,industrial, and automotives areas.

We are looking forward to setting up business relationship with you and hope to provide you with the best service and solution. Let us make a better world for our industry!



Contact us

Tel: +86-755-8981 8866 Fax: +86-755-8427 6832

Email & Skype: info@chipsmall.com Web: www.chipsmall.com

Address: A1208, Overseas Decoration Building, #122 Zhenhua RD., Futian, Shenzhen, China



PART NUMBER	ITEM ①		ITEM ②	ITEM ③
	BODY	COLOR	CONTACT	MOUNTING NUT
105-0251-001	NYLON	WHITE	PHOSPHOR BRONZE SILVER PL .0001 MIN	BRASS NICKEL PL .0001 MIN
105-0252-001		RED		
105-0253-001		BLACK		
105-0254-001		GREEN		
105-0255-001				
105-0256-001		ORANGE		
105-0257-001		YELLOW		
105-0258-001		BROWN		
105-0259-001				
105-0260-001		BLUE		
105-0261-001				
105-0262-001		VIOLET		
105-0263-001		GRAY		
105-0264-001				
105-0265-001				
105-0266-001				
105-0267-001				
105-0268-001				
105-0269-001				
105-0270-001				

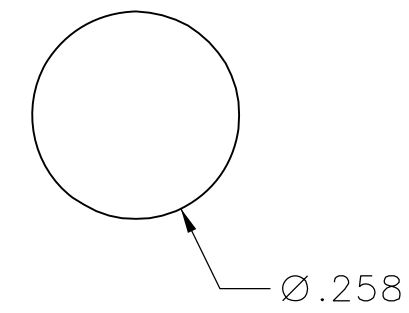
DRAWING NO.
B - 105-0251/0270-001

0	REVISIONS
---	-----------

REVISED AND REDRAWN. DRAWING WAS "C" SIZE 105-0251/0268-001/201 DATED 7-15-87. SPLIT INTO 2 SEPERATE DWGS. CREATED SHEET 2.

* REVISION NUMBER FOLLOWED BY AN ALPHA *
* CHARACTER INDICATES DRAWING CLARIFICATION OR PART NUMBER ADDITION ONLY *

17c	1-7-03	RH	RJB			10-16-03	ECN 48697
-----	--------	----	-----	--	--	----------	-----------



RECOMMENDED MOUNTING HOLE

NOTES:
SPECIFICATIONS:

ELECTRICAL:

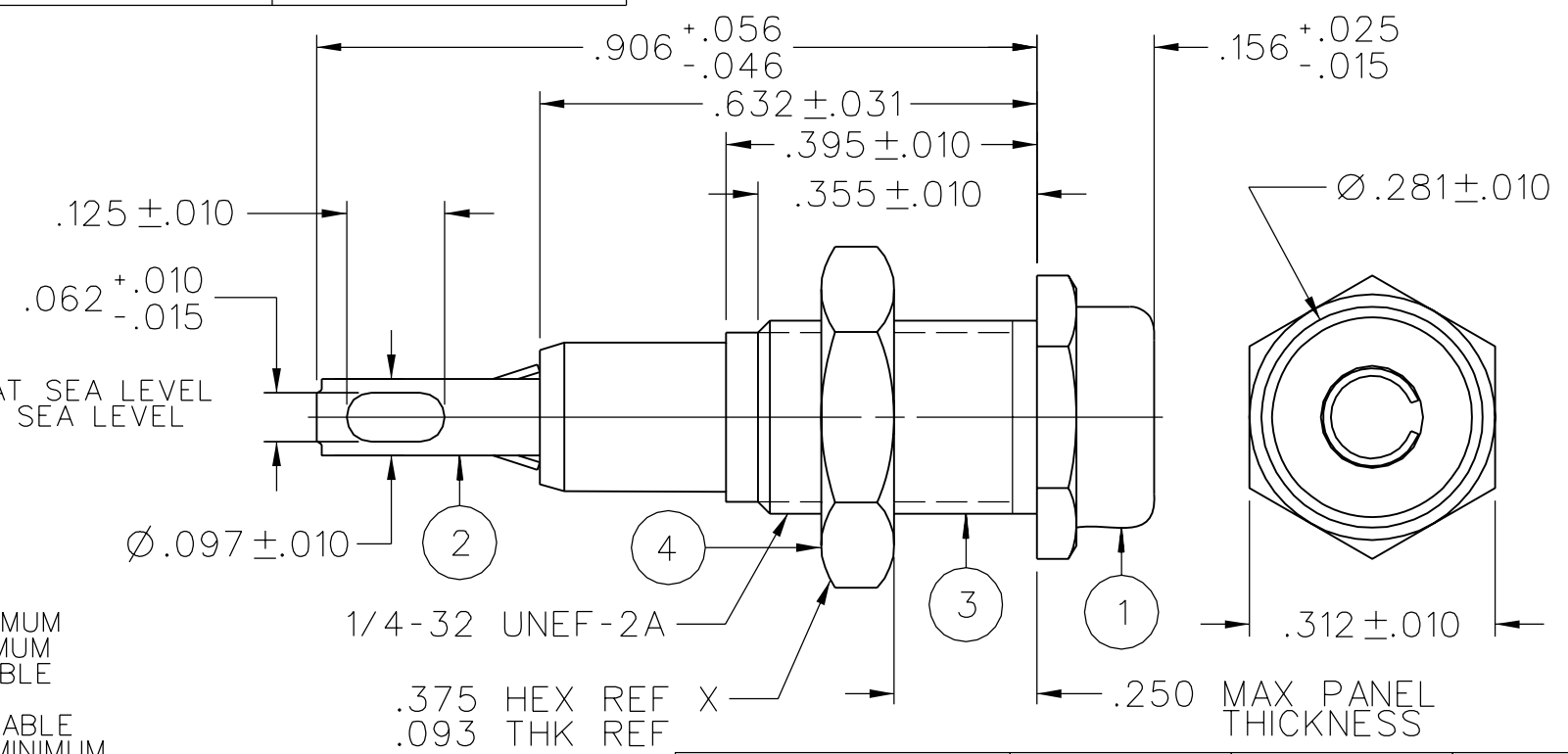
CURRENT RATING: 10 AMPS DC MINIMUM
DIELECTRIC WITHSTANDING VOLTAGE: 5700 VRMS MINIMUM AT SEA LEVEL
RECOMMENDED WORKING VOLTAGE: 1500 VRMS MAXIMUM AT SEA LEVEL
INSULATION RESISTANCE: 5000 MEGOHMS MINIMUM
CONTACT RESISTANCE: 10 MILLIOHMS MAXIMUM
CAPACITANCE: 2 PF NOMINAL

MECHANICAL:

INSERTION/WITHDRAWAL FORCE: .5 - 5.0 POUNDS
CONTACT RETENTION IN INSULATOR FORCE: 10 POUNDS MINIMUM
CONTACT RETENTION IN INSULATOR TORQUE: 12 IN OZ MINIMUM
INSULATOR RETENTION IN .062 PANEL FORCE: NOT APPLICABLE
INSULATOR RETENTION IN SLEEVE FORCE: NOT APPLICABLE
INSULATOR RETENTION IN .062 PANEL TORQUE: NOT APPLICABLE
PLASTIC MOUNTING THREAD STRIPPING TORQUE: 4 IN LBS MINIMUM
RESISTANCE TO TEST PROBE DAMAGE TORQUE: 2 IN LBS MINIMUM
MATING TIP PLUG DIAMETER: .080
DURABILITY: 1000 CYCLES MINIMUM

ENVIRONMENTAL:

(MEETS OR EXCEEDS THE APPLICABLE PARAGRAPH OF MIL-PRF-39024)
OPERATING TEMPERATURE: -55 DEG C TO 85 DEG C
TEMPERATURE RISE AT RATED CURRENT: 10 DEG C MAXIMUM
CORROSION: MIL-STD-1344, METHOD 1001, CONDITION B
SHOCK: MIL-STD-1344, METHOD 2004, CONDITION G
VIBRATION: MIL-STD-1344, METHOD 2005, CONDITION I
HUMIDITY: MIL-STD-1344, METHOD 1002, CONDITION B



CUSTOMER DRAWING

THIS DRAWING TO BE INTERPRETED PER ASME Y 14.5M - 1994

"µSTATION"

COMPANY CONFIDENTIAL

TOLERANCE UNLESS OTHERWISE SPECIFIED		DRAWN BY	DATE
DECIMALS	mm	RJB	12-16-02
.XX		CHECKED BY	DATE
.XXX REF			
MATL		APPROVED BY	DATE
		RJB	10-16-03
FINISH		RELEASE DATE	10-16-03
		U/M	INCH
		SCALE	4:1

cinch CONNECTIVITY SOLUTIONS a bel group
Cinch Connectivity Solutions
P.O. Box 1732
Waseca, MN 56093
1-800-247-8256

TITLE
ASSEMBLY, .080 (2.0mm) TIP JACK, INSULATED METAL CLAD PANEL MOUNT, SOLDER TERMINAL

SHEET	DRAWING NO.
2 OF 2	B - 105-0251/0270-001