



Chipsmall Limited consists of a professional team with an average of over 10 year of expertise in the distribution of electronic components. Based in Hongkong, we have already established firm and mutual-benefit business relationships with customers from,Europe,America and south Asia,supplying obsolete and hard-to-find components to meet their specific needs.

With the principle of “Quality Parts,Customers Priority,Honest Operation,and Considerate Service”,our business mainly focus on the distribution of electronic components. Line cards we deal with include Microchip,ALPS,ROHM,Xilinx,Pulse,ON,Everlight and Freescale. Main products comprise IC,Modules,Potentiometer,IC Socket,Relay,Connector.Our parts cover such applications as commercial,industrial, and automotives areas.

We are looking forward to setting up business relationship with you and hope to provide you with the best service and solution. Let us make a better world for our industry!



Contact us

Tel: +86-755-8981 8866 Fax: +86-755-8427 6832

Email & Skype: info@chipsmall.com Web: www.chipsmall.com

Address: A1208, Overseas Decoration Building, #122 Zhenhua RD., Futian, Shenzhen, China



Tip Jack Insulated Deluxe



INCHES (MILLIMETERS)
CUSTOMER DRAWINGS AVAILABLE UPON REQUEST

SPECIFICATIONS

Contact: Brass per QQ-B-626D with wrap around
beryllium copper spring per QQ-C-533

Finish: Silver

Body: Nylon 6/6 per ASTM D4066

Hardware: Nickel plated nut (unassembled)

Body Thread Stripping Torque: 0.4 lb. in (4.5 kg. cm.)

Panel Thickness: Up to .437 (11.10)

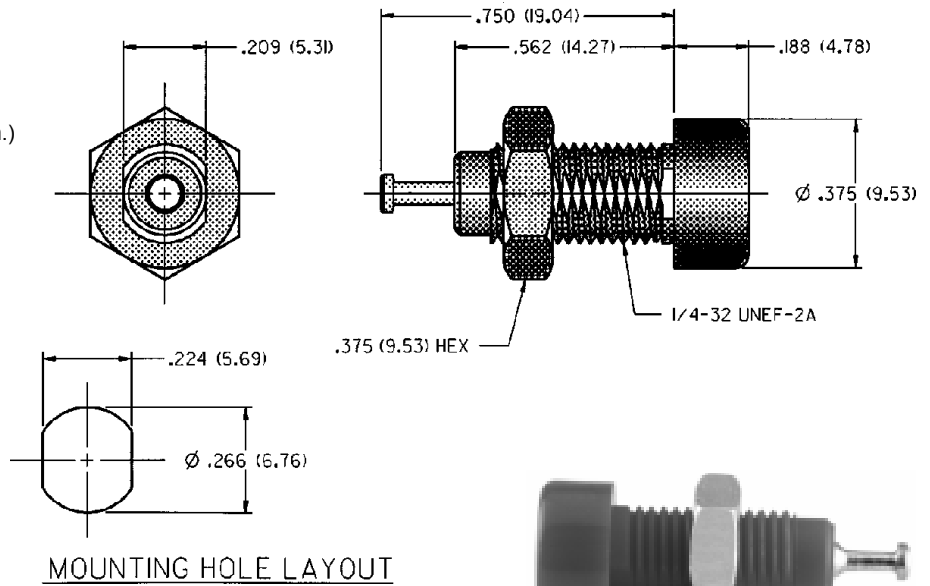
RATINGS

Current: 10 amps

Breakdown Voltage: 5700 Vrms minimum ⚡

Contact Resistance: 0.010 ohms maximum

Contact-To-Panel C: 2 pF nominal



SILVER PLATING	
PART NO.	COLOR
105-0604-001	Green

For Standard Tip Plug: .080 (2.00) Diameter

FEATURES:

- Machined contact with turret terminal
- Hex socket head .188 (4.77) for ease in mounting
- Closed entry blocks access of probes greater than .085 (2.16)
- Nylon UL approved for self extinguishing