



Chipsmall Limited consists of a professional team with an average of over 10 year of expertise in the distribution of electronic components. Based in Hongkong, we have already established firm and mutual-benefit business relationships with customers from,Europe,America and south Asia,supplying obsolete and hard-to-find components to meet their specific needs.

With the principle of “Quality Parts,Customers Priority,Honest Operation,and Considerate Service”,our business mainly focus on the distribution of electronic components. Line cards we deal with include Microchip,ALPS,ROHM,Xilinx,Pulse,ON,Everlight and Freescale. Main products comprise IC,Modules,Potentiometer,IC Socket,Relay,Connector.Our parts cover such applications as commercial,industrial, and automotives areas.

We are looking forward to setting up business relationship with you and hope to provide you with the best service and solution. Let us make a better world for our industry!



Contact us

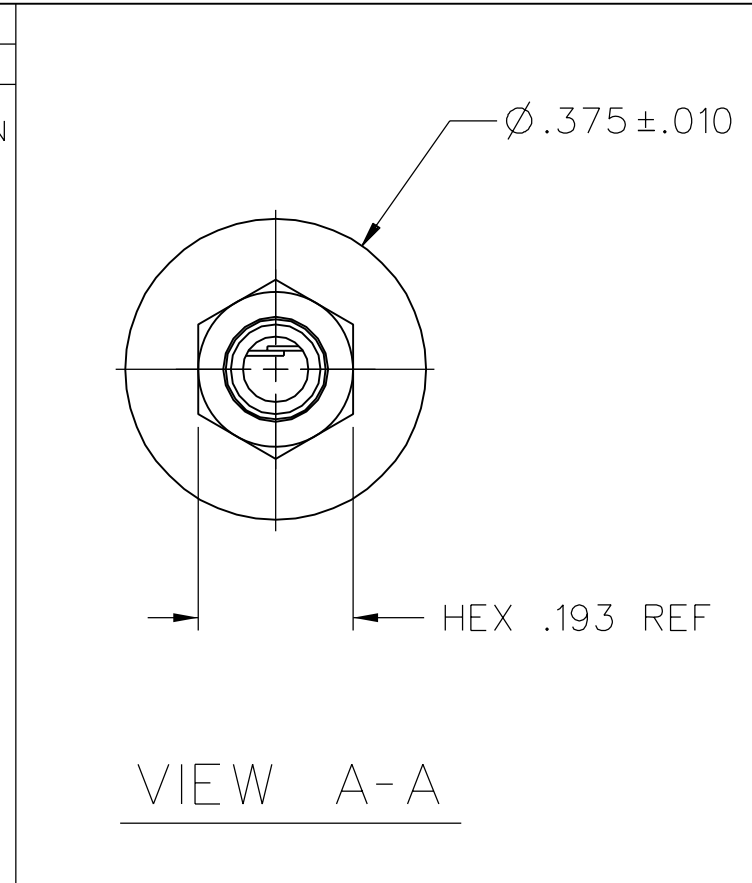
Tel: +86-755-8981 8866 Fax: +86-755-8427 6832

Email & Skype: info@chipsmall.com Web: www.chipsmall.com

Address: A1208, Overseas Decoration Building, #122 Zhenhua RD., Futian, Shenzhen, China



PART NUMBER	ITEM ①		ITEM ②		ITEM ③	ITEM ④
	HANDLE	COLOR	BODY	COLOR	CONTACT	CONTACT SPRING
105-0701-001	NYLON	WHITE	NYLON	WHITE	BRASS SILVER PL .0001 MIN OVER COPPER PL	BERYLLIUM COPPER SILVER PL .0001 MIN OVER COPPER PL
105-0702-001		RED		RED		
105-0703-001		BLACK		BLACK		
105-0704-001		GREEN		GREEN		
105-0705-001		LIGHT BLUE		LIGHT BLUE		
105-0706-001		ORANGE		ORANGE		
105-0707-001		YELLOW		YELLOW		
105-0708-001		BROWN		BROWN		
105-0709-001		LIGHT GREEN		LIGHT GREEN		
105-0710-001		BLUE		BLUE		
105-0711-001		IVORY		IVORY		
105-0712-001		VIOLET		VIOLET		
105-0713-001		GRAY		GRAY		
105-0714-001		BATTLESHIP GRAY		BATTLESHIP GRAY		
105-0715-001		DARK MAROON		DARK MAROON		
105-0716-001		DELFT BLUE		DELFT BLUE		
105-0717-001						
105-0718-001						
105-0719-001						
105-0720-001						



DRAWING NO. B-105-0701/0720-001

0	REVISIONS
---	-----------

CREATED SHEET 2

 * REVISION NUMBER FOLLOWED BY AN ALPHA *
 * CHARACTER INDICATES DRAWING CLARIFI- *
 * CATION OR PART NUMBER ADDITION ONLY. *

12a	5-3-02	T J S	R J B	5-31-02	ECN 48390
-----	--------	-------------	-------------	---------	-----------

NOTES:

SPECIFICATIONS:

ELECTRICAL:

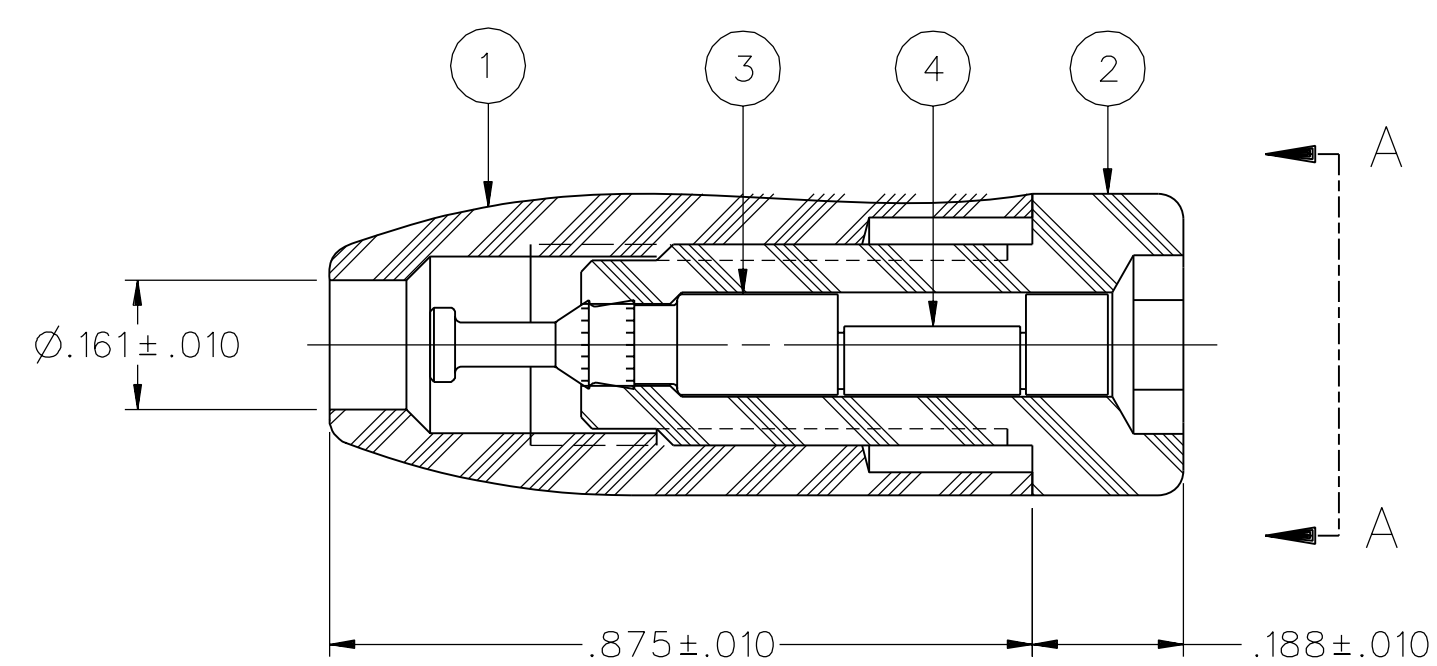
CURRENT RATING: 5 AMPS DC MINIMUM
 DIELECTRIC WITHSTANDING VOLTAGE: 5700 VRMS MIN AT SEA LEVEL
 RECOMMENDED WORKING VOLTAGE: 2850 VRMS MAX AT SEA LEVEL
 INSULATION RESISTANCE: 5000 MEGOHMS MIN
 CONTACT RESISTANCE: 10 MILLIOHMS MAXIMUM
 CAPACITANCE: 2 PF NOMINAL

MECHANICAL:

INSERTION/WITHDRAWAL FORCE: .5 - 5.0 POUNDS
 CONTACT RETENTION IN INSULATOR FORCE: 15 LBS MIN
 CONTACT RETENTION IN INSULATOR TORQUE: 12 IN-OZ MINIMUM
 INSULATOR RETENTION IN .062 PANEL FORCE: NOT APPLICABLE
 INSULATOR RETENTION IN SLEEVE FORCE: NOT APPLICABLE
 INSULATOR RETENTION IN PANEL TORQUE: NOT APPLICABLE
 PLASTIC MOUNTING THREAD STRIPPING TORQUE: NOT APPLICABLE
 RESISTANCE TO TEST PROBE DAMAGE TORQUE: 2 IN LB MIN
 MATING TIP PLUG DIAMETER: .080+- .001
 DURABILITY: 1000 CYCLES MINIMUM

ENVIRONMENTAL:

(MEETS OR EXCEEDS THE APPLICABLE PARAGRAPH OF MIL-PRF-39024)
 OPERATING TEMPERATURE: -55 DEG C TO 85 DEG C
 TEMPERATURE RISE AT RATED CURRENT: 10 DEG C MAXIMUM
 CORROSION: MIL-STD-1344, METHOD 1001, CONDITION B
 SHOCK: MIL-STD-1344, METHOD 2004, CONDITION G
 VIBRATION: MIL-STD-1344, METHOD 2005, CONDITION I
 HUMIDITY: MIL-STD-1344, METHOD 1002, CONDITION B



CUSTOMER DRAWING

THIS DRAWING TO BE INTERPRETED PER ASME Y 14.5M - 1994

"μSTATION"

COMPANY CONFIDENTIAL

TOLERANCE UNLESS OTHERWISE SPECIFIED		DRAWN BY	DATE
DECIMALS	mm	RJB	5-31-02
.XX	_____	CHECKED BY	DATE
.XXX	_____		
MATL	_____	APPROVED BY	DATE
		RJB	5-13-02
FINISH	_____	RELEASE DATE	5-31-02
		U/M	INCH
		SCALE	4:1

Cinch
CONNECTIVITY SOLUTIONS
a bel group

Cinch Connectivity Solutions
P.O. Box 1732
Waseca, MN 56093
1-800-247-8256

TITLE
ASSEMBLY, TIP JACK,
INSULATED HANDLE, ROUND
BODY, TURRET TERMINAL

SHEET	DRAWING NO.
2 OF 2	B-105-0701/0720-001