



Chipsmall Limited consists of a professional team with an average of over 10 year of expertise in the distribution of electronic components. Based in Hongkong, we have already established firm and mutual-benefit business relationships with customers from,Europe,America and south Asia,supplying obsolete and hard-to-find components to meet their specific needs.

With the principle of "Quality Parts,Customers Priority,Honest Operation,and Considerate Service",our business mainly focus on the distribution of electronic components. Line cards we deal with include Microchip,ALPS,ROHM,Xilinx,Pulse,ON,Everlight and Freescale. Main products comprise IC,Modules,Potentiometer,IC Socket,Relay,Connector.Our parts cover such applications as commercial,industrial, and automotives areas.

We are looking forward to setting up business relationship with you and hope to provide you with the best service and solution. Let us make a better world for our industry!



Contact us

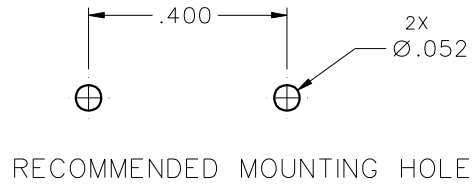
Tel: +86-755-8981 8866 Fax: +86-755-8427 6832

Email & Skype: info@chipsmall.com Web: www.chipsmall.com

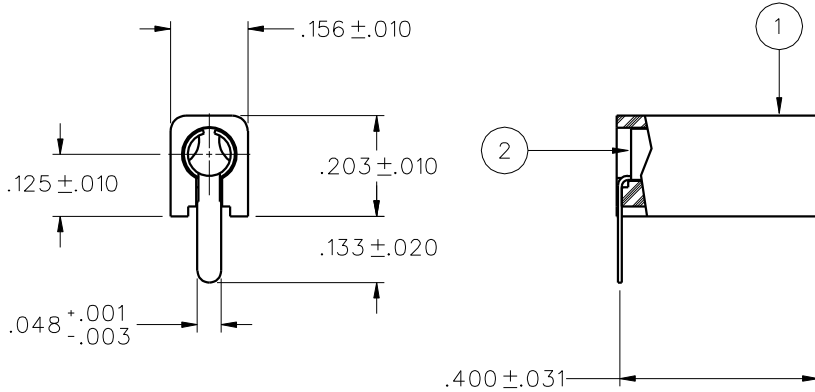
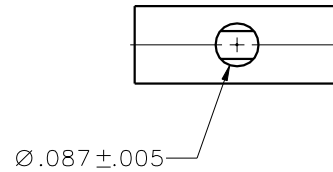
Address: A1208, Overseas Decoration Building, #122 Zhenhua RD., Futian, Shenzhen, China



PART NUMBER	ITEM ①		ITEM ②
	BODY	COLOR	CONTACT
105-0751-150	NYLON	WHITE	COPPER ALLOY 688
105-0752-150		RED	GOLD PL .00001 MIN OVER
105-0753-150		BLACK	NICKEL PL .00005 MIN OVER
105-0754-150		GREEN	COPPER PL .00001 MIN
105-0755-150			
105-0756-150		ORANGE	
105-0757-150		YELLOW	
105-0758-150		BROWN	
105-0759-150			
105-0760-150		BLUE	
105-0761-150			
105-0762-150		VIOLET	
105-0763-150		GRAY	
105-0764-150			
105-0765-150			
105-0766-150			
105-0767-150			
105-0768-150			
105-0769-150			
105-0770-150			



RECOMMENDED MOUNTING HOLE



NOTES:
SPECIFICATIONS:
ELECTRICAL:

CURRENT RATING: 5 AMPS DC MINIMUM
DIELECTRIC WITHSTANDING VOLTAGE: 2100 VRMS MIN AT SEA LEVEL
RECOMMENDED WORKING VOLTAGE: 1500 VRMS MAX AT SEA LEVEL
350 VRMS MAX AT 50,000 FEET
INSULATION RESISTANCE: 5000 MEGOHMS MIN
CONTACT RESISTANCE: 5 MILLIOHMS MAXIMUM
CAPACITANCE: 1 PF NOMINAL

MECHANICAL:

INSERTION/WITHDRAWAL FORCE: 0.5 - 5.0 POUNDS
CONTACT RETENTION IN INSULATOR FORCE: NOT APPLICABLE
CONTACT RETENTION IN INSULATOR TORQUE: NOT APPLICABLE
INSULATOR RETENTION IN .062 PANEL FORCE: NOT APPLICABLE
INSULATOR RETENTION IN SLEEVE FORCE: NOT APPLICABLE
INSULATOR RETENTION IN PANEL TORQUE: NOT APPLICABLE
PLASTIC MOUNTING THREAD STRIPPING TORQUE: NOT APPLICABLE
RESISTANCE TO TEST PROBE DAMAGE TORQUE: 2 IN LB MIN
MATING TIP PLUG DIAMETER: .080
DURABILITY: 500 CYCLES MINIMUM

ENVIRONMENTAL:

(MEETS OR EXCEEDS THE APPLICABLE PARAGRAPH OF MIL-PRF-39024)
OPERATING TEMPERATURE: -55 DEG C TO 75 DEG C
TEMPERATURE RISE AT RATED CURRENT: 10 DEG C MAXIMUM
CORROSION: MIL-STD-1344, METHOD 1001, CONDITION B
SHOCK: MIL-STD-1344, METHOD 2004, CONDITION G
VIBRATION: MIL-STD-1344, METHOD 2005, CONDITION I
HUMIDITY: MIL-STD-1344, METHOD 1002, CONDITION B

DRAWING NO.

B - 105-0751/0770-150

0 REVISIONS

REVISED AND REDRAWN. DRAWING WAS "C" SIZE 105-0751/0770-001/501 DATED 3-29-88. SPLIT INTO 8 SEPERATE DWGS. CREATED SHEET 2.

* REVISION NUMBER FOLLOWED BY AN ALPHA *
* CHARACTER INDICATES DRAWING CLARIFI- *
* CATION OR PART NUMBER ADDITION ONLY. *


13c 2-10-03 R H J B ECN 48700

CUSTOMER DRAWING

THIS DRAWING TO BE INTERPRETED PER ANSII 14.5M - 1982

"μ STATION"

COMPANY CONFIDENTIAL

TOLERANCE UNLESS OTHERWISE SPECIFIED		DRAWN BY	DATE	 <small>Cinch Connectivity Solutions P.O. Box 1732 Waseca, MN 56093 1-800-247-8256</small>
DECIMALS	mm	RJB	12-19-02	
.XX		CHECKED BY	DATE	TITLE TIP JACK, STANDARD HORIZONTAL PC MOUNT FOR .080 DIA PLUG
.XXX		APPROVED BY	DATE	
MATL		RJB	2-12-03	CODE NO.
FINISH		APPROVED BY	DATE	DRAWING NO. B - 105-0751/0770-150
		RELEASE DATE		SCALE 4:1
				U/M INCH
				SHEET 2 OF 2