



Chipsmall Limited consists of a professional team with an average of over 10 year of expertise in the distribution of electronic components. Based in Hongkong, we have already established firm and mutual-benefit business relationships with customers from,Europe,America and south Asia,supplying obsolete and hard-to-find components to meet their specific needs.

With the principle of “Quality Parts,Customers Priority,Honest Operation,and Considerate Service”,our business mainly focus on the distribution of electronic components. Line cards we deal with include Microchip,ALPS,ROHM,Xilinx,Pulse,ON,Everlight and Freescale. Main products comprise IC,Modules,Potentiometer,IC Socket,Relay,Connector.Our parts cover such applications as commercial,industrial, and automotives areas.

We are looking forward to setting up business relationship with you and hope to provide you with the best service and solution. Let us make a better world for our industry!



## Contact us

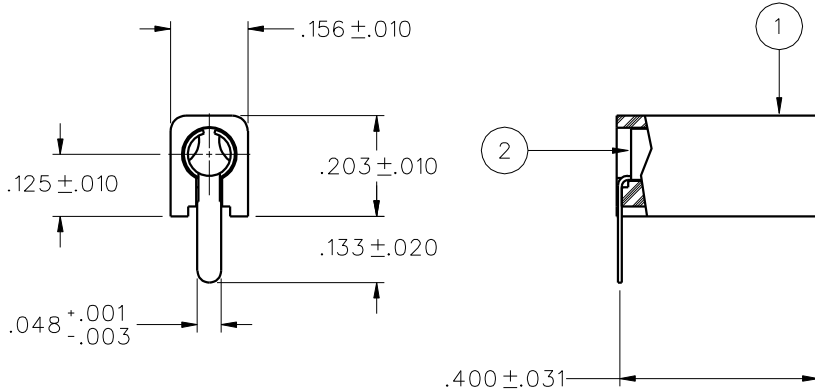
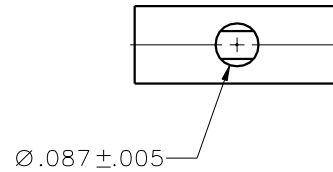
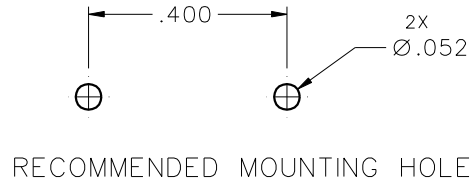
Tel: +86-755-8981 8866 Fax: +86-755-8427 6832

Email & Skype: info@chipsmall.com Web: www.chipsmall.com

Address: A1208, Overseas Decoration Building, #122 Zhenhua RD., Futian, Shenzhen, China



PART NUMBER	ITEM ①		ITEM ②
	BODY	COLOR	CONTACT
105-0751-150	NYLON	WHITE	COPPER ALLOY 688
105-0752-150		RED	GOLD PL .00001 MIN OVER
105-0753-150		BLACK	NICKEL PL .00005 MIN OVER
105-0754-150		GREEN	COPPER PL .00001 MIN
105-0755-150			
105-0756-150		ORANGE	
105-0757-150		YELLOW	
105-0758-150		BROWN	
105-0759-150			
105-0760-150		BLUE	
105-0761-150			
105-0762-150		VIOLET	
105-0763-150		GRAY	
105-0764-150			
105-0765-150			
105-0766-150			
105-0767-150			
105-0768-150			
105-0769-150			
105-0770-150			



NOTES:

SPECIFICATIONS:

ELECTRICAL:

CURRENT RATING: 5 AMPS DC MINIMUM  
 DIELECTRIC WITHSTANDING VOLTAGE: 2100 VRMS MIN AT SEA LEVEL  
 RECOMMENDED WORKING VOLTAGE: 1500 VRMS MAX AT SEA LEVEL  
 350 VRMS MAX AT 50,000 FEET  
 INSULATION RESISTANCE: 5000 MEGOHMS MIN  
 CONTACT RESISTANCE: 5 MILLIOHMS MAXIMUM  
 CAPACITANCE: 1 PF NOMINAL

MECHANICAL:

INSERTION/WITHDRAWAL FORCE: 0.5 - 5.0 POUNDS  
 CONTACT RETENTION IN INSULATOR FORCE: NOT APPLICABLE  
 CONTACT RETENTION IN INSULATOR TORQUE: NOT APPLICABLE  
 INSULATOR RETENTION IN .062 PANEL FORCE: NOT APPLICABLE  
 INSULATOR RETENTION IN SLEEVE FORCE: NOT APPLICABLE  
 INSULATOR RETENTION IN PANEL TORQUE: NOT APPLICABLE  
 PLASTIC MOUNTING THREAD STRIPPING TORQUE: NOT APPLICABLE  
 RESISTANCE TO TEST PROBE DAMAGE TORQUE: 2 IN LB MIN  
 MATING TIP PLUG DIAMETER: .080  
 DURABILITY: 500 CYCLES MINIMUM

ENVIRONMENTAL:

(MEETS OR EXCEEDS THE APPLICABLE PARAGRAPH OF MIL-PRF-39024)  
 OPERATING TEMPERATURE: -55 DEG C TO 75 DEG C  
 TEMPERATURE RISE AT RATED CURRENT: 10 DEG C MAXIMUM  
 CORROSION: MIL-STD-1344, METHOD 1001, CONDITION B  
 SHOCK: MIL-STD-1344, METHOD 2004, CONDITION G  
 VIBRATION: MIL-STD-1344, METHOD 2005, CONDITION I  
 HUMIDITY: MIL-STD-1344, METHOD 1002, CONDITION B

DRAWING NO.  
 B - 105-0751/0770-150

0 REVISIONS

REVISED AND REDRAWN. DRAWING WAS "C" SIZE 105-0751/0770-001/501 DATED 3-29-88. SPLIT INTO 8 SEPERATE DWGS. CREATED SHEET 2.

\*\*\*\*\*  
 \* REVISION NUMBER FOLLOWED BY AN ALPHA \*  
 \* CHARACTER INDICATES DRAWING CLARIFI- \*  
 \* CATION OR PART NUMBER ADDITION ONLY. \*  
 \*\*\*\*\*

13c 2-10-03 R H J B ECN 48700

CUSTOMER DRAWING

THIS DRAWING TO BE INTERPRETED PER ANSII 14.5M - 1982

"μ STATION"

COMPANY CONFIDENTIAL

TOLERANCE UNLESS OTHERWISE SPECIFIED		DRAWN BY RJB	DATE 12-19-02	 Cinch Connectivity Solutions P.O. Box 1732 Waseca, MN 56093 1-800-247-8256
DECIMALS .XX	mm	CHECKED BY	DATE	
.XXX		APPROVED BY RJB	DATE 2-12-03	TITLE TIP JACK, STANDARD HORIZONTAL PC MOUNT FOR .080 DIA PLUG
MATL		APPROVED BY	DATE	CODE NO.
FINISH		RELEASE DATE		DRAWING NO. B - 105-0751/0770-150
		SCALE 4:1	U/M INCH	SHEET 2 OF 2