



Chipsmall Limited consists of a professional team with an average of over 10 year of expertise in the distribution of electronic components. Based in Hongkong, we have already established firm and mutual-benefit business relationships with customers from,Europe,America and south Asia,supplying obsolete and hard-to-find components to meet their specific needs.

With the principle of "Quality Parts,Customers Priority,Honest Operation,and Considerate Service",our business mainly focus on the distribution of electronic components. Line cards we deal with include Microchip,ALPS,ROHM,Xilinx,Pulse,ON,Everlight and Freescale. Main products comprise IC,Modules,Potentiometer,IC Socket,Relay,Connector.Our parts cover such applications as commercial,industrial, and automotives areas.

We are looking forward to setting up business relationship with you and hope to provide you with the best service and solution. Let us make a better world for our industry!



Contact us

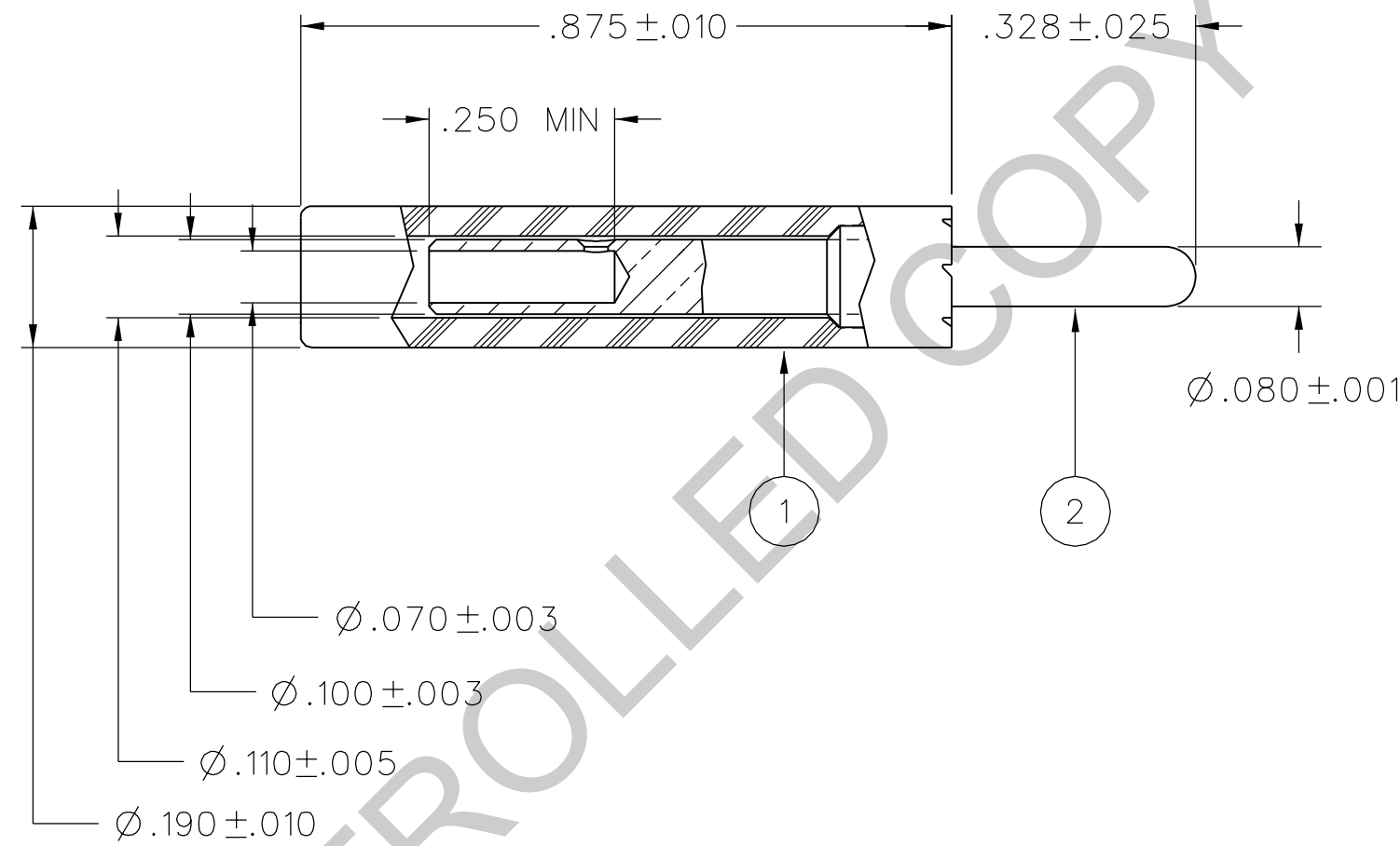
Tel: +86-755-8981 8866 Fax: +86-755-8427 6832

Email & Skype: info@chipsmall.com Web: www.chipsmall.com

Address: A1208, Overseas Decoration Building, #122 Zhenhua RD., Futian, Shenzhen, China



PART NUMBER	ITEM ①		ITEM ② CONTACT
	BODY	COLOR	
105-0771-001	NYLON	WHITE	BRASS NICKEL PL .0001 MIN OVER COPPER PL .00005 MIN
105-0772-001		RED	
105-0773-001		BLACK	
105-0774-001		GREEN	
105-0775-001			
105-0776-001		ORANGE	
105-0777-001		YELLOW	
105-0778-001		BROWN	
105-0779-001			
105-0780-001		BLUE	
105-0781-001			
105-0782-001	VIOLET		
105-0783-001	GRAY		
105-0784-001			
105-0785-001			
105-0786-001			
105-0787-001			
105-0788-001			
105-0789-001			
105-0790-001			



RECOMMENDED WIRE STRIP

NOTES:
 SPECIFICATIONS:
 ELECTRICAL:
 CURRENT RATING: 10 AMPS DC MINIMUM
 DIELECTRIC WITHSTANDING VOLTAGE: 3500 VRMS MINIMUM AT SEA LEVEL
 RECOMMENDED WORKING VOLTAGE: 1750 VRMS MAXIMUM AT SEA LEVEL
 INSULATION RESISTANCE: 5000 MEGOHMS MINIMUM
 CONTACT RESISTANCE: 10 MILLIOHMS MAXIMUM
 MECHANICAL:
 WIRE ACCEPTABILITY: 16 AWG OR SMALLER
 WIRE ATTACHMENT: CRIMP OR SOLDER
 DURABILITY: 1000 CYCLES MINIMUM
 ENVIRONMENTAL:
 (MEETS OR EXCEEDS THE APPLICABLE PARAGRAPH OF MIL-PRF-39024)
 OPERATING TEMPERATURE: -55 DEG C TO 85 DEG C
 TEMPERATURE RISE AT RATED CURRENT: 10 DEG C MAXIMUM
 CORROSION: MIL-STD-1344, METHOD 1001, CONDITION B
 SHOCK: MIL-STD-1344, METHOD 2004, CONDITION G
 VIBRATION: MIL-STD-1344, METHOD 2005, CONDITION I
 HUMIDITY: MIL-STD-1344, METHOD 1002, CONDITION B

DRAWING NO. B-105-0771/0790-001	
0	REVISIONS
UPDATE GRAPHICS ***** * REVISION NUMBER FOLLOWED BY AN ALPHA * * CHARACTER INDICATES DRAWING CLARIFI- * * CATION OR PART NUMBER ADDITION ONLY. * *****	
10a	11-13-06 P A T R J B M J U J C N 12-1-06 ECN 50772

CUSTOMER DRAWING

THIS DRAWING TO BE INTERPRETED PER ASME Y 14.5M - 1994

"μSTATION"

COMPANY CONFIDENTIAL

TOLERANCE UNLESS OTHERWISE SPECIFIED		DRAWN BY	DATE
DECIMALS	mm	RJB	11-3-06
.XX	_____	CHECKED BY	DATE
.XXX	REF _____	RJB	11-28-06
MATL	_____	APPROVED BY	DATE
FINISH	_____	JCN	11-28-06
		RELEASE DATE	12-1-06 (10-19-89)
		U/M	INCH
		SCALE	4:1

cinch CONNECTIVITY SOLUTIONS
a bel group

Cinch Connectivity Solutions
P.O. Box 1732
Waseca, MN 56093
1-800-247-8256

TITLE
ASSEMBLY, .080 (2.0mm) TIP PLUG,
INSULATED HANDLE, SOLDER BARREL

SHEET 2 OF 2

DRAWING NO.
B-105-0771/0790-001