



Chipsmall Limited consists of a professional team with an average of over 10 year of expertise in the distribution of electronic components. Based in Hongkong, we have already established firm and mutual-benefit business relationships with customers from,Europe,America and south Asia,supplying obsolete and hard-to-find components to meet their specific needs.

With the principle of “Quality Parts,Customers Priority,Honest Operation,and Considerate Service”,our business mainly focus on the distribution of electronic components. Line cards we deal with include Microchip,ALPS,ROHM,Xilinx,Pulse,ON,Everlight and Freescale. Main products comprise IC,Modules,Potentiometer,IC Socket,Relay,Connector.Our parts cover such applications as commercial,industrial, and automotives areas.

We are looking forward to setting up business relationship with you and hope to provide you with the best service and solution. Let us make a better world for our industry!



## Contact us

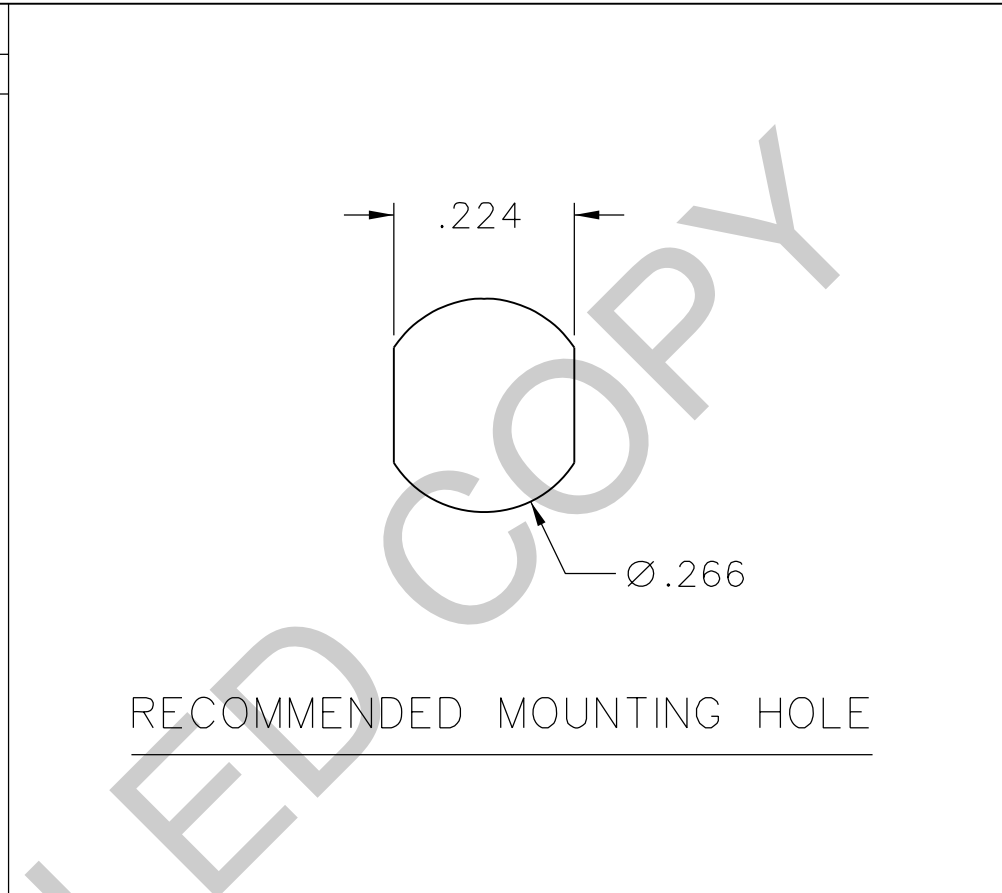
Tel: +86-755-8981 8866 Fax: +86-755-8427 6832

Email & Skype: info@chipsmall.com Web: www.chipsmall.com

Address: A1208, Overseas Decoration Building, #122 Zhenhua RD., Futian, Shenzhen, China



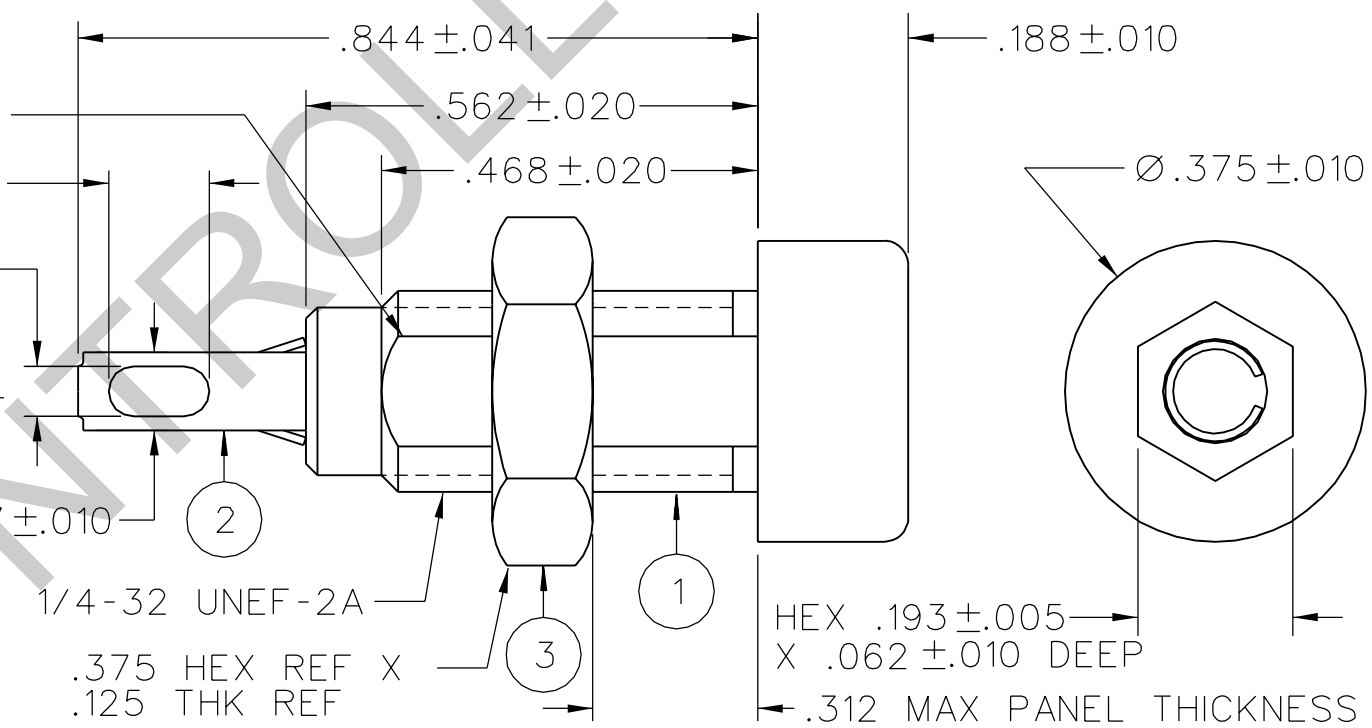
PART NUMBER	ITEM ①	ITEM ②	ITEM ③
105-0801-001	NYLON	WHITE	PHOSPHOR BRONZE
105-0802-001		RED	TIN PL .0002 MIN OVER
105-0803-001		BLACK	NICKEL PL .00005 MIN
105-0804-001		GREEN	
105-0805-001			
105-0806-001		ORANGE	
105-0807-001		YELLOW	
105-0808-001		BROWN	
105-0809-001			
105-0810-001		BLUE	
105-0811-001			
105-0812-001		VIOLET	
105-0813-001		GRAY	
105-0814-001			
105-0815-001			
105-0816-001			
105-0817-001			
105-0818-001			
105-0819-001			
105-0820-001			



DRAWING NO.		B - 105-0801/0820-001	
0		REVISIONS	
REVISED AND REDRAWN. DRAWING WAS "C" SIZE 105-0801/0820-001/025 DATED 8-6-93. SPLIT INTO 2 SEPERATE DWGS. CREATED SHEET 2. ***** * REVISION NUMBER FOLLOWED BY AN ALPHA * * CHARACTER INDICATES DRAWING CLARIFICATION OR PART NUMBER ADDITION ONLY. * *****			
18b	1-7-03	R H	R J B
			10-16-03 ECN 48698

2X "D" FLATS .209±.010 ACROSS FLATS

NOTES:  
 SPECIFICATIONS:  
 ELECTRICAL:  
 CURRENT RATING: 10 AMPS DC MINIMUM  
 DIELECTRIC WITHSTANDING VOLTAGE: 5700 VRMS MINIMUM AT SEA LEVEL  
 RECOMMENDED WORKING VOLTAGE: 2850 VRMS MAXIMUM AT SEA LEVEL  
 INSULATION RESISTANCE: 5000 MEGOHMS MINIMUM  
 CONTACT RESISTANCE: 10 MILLIOHMS MAXIMUM  
 CAPACITANCE: 2 PF NOMINAL  
 MECHANICAL:  
 INSERTION/WITHDRAWAL FORCE: 0.5 - 5.0 POUNDS  
 CONTACT RETENTION IN INSULATOR FORCE: 10 POUNDS MINIMUM  
 CONTACT RETENTION IN INSULATOR TORQUE: 12 IN OZ MINIMUM  
 INSULATOR RETENTION IN .062 PANEL FORCE: NOT APPLICABLE  
 INSULATOR RETENTION IN SLEEVE FORCE: NOT APPLICABLE  
 INSULATOR RETENTION IN .062 PANEL TORQUE: NOT APPLICABLE  
 PLASTIC MOUNTING THREAD STRIPPING TORQUE: 4 IN LBS MINIMUM  
 RESISTANCE TO TEST PROBE DAMAGE TORQUE: 2 IN LBS MINIMUM  
 MATING TIP PLUG DIAMETER: .080  
 DURABILITY: 1000 CYCLES MINIMUM  
 ENVIRONMENTAL:  
 (MEETS OR EXCEEDS THE APPLICABLE PARAGRAPH OF MIL-PRF-39024)  
 OPERATING TEMPERATURE: -55 DEG C TO 85 DEG C  
 TEMPERATURE RISE AT RATED CURRENT: 10 DEG C MAXIMUM  
 CORROSION: MIL-STD-1344, METHOD 1001, CONDITION B  
 SHOCK: MIL-STD-1344, METHOD 2004, CONDITION G  
 VIBRATION: MIL-STD-1344, METHOD 2005, CONDITION I  
 HUMIDITY: MIL-STD-1344, METHOD 1002, CONDITION B



CUSTOMER DRAWING

THIS DRAWING TO BE INTERPRETED PER ASME Y 14.5M - 1994

"μSTATION"

COMPANY CONFIDENTIAL

TOLERANCE UNLESS OTHERWISE SPECIFIED		DRAWN BY	DATE
DECIMALS	mm	RJB	12-6-02
.XX	_____	CHECKED BY	DATE
.XXX REF	_____	APPROVED BY	DATE
MATL	_____	RJB	10-16-03
FINISH	_____	RELEASE DATE	10-16-03
		U/M	INCH
		SCALE	4:1

**cinch**  
CONNECTIVITY SOLUTIONS  
a bel group

Cinch Connectivity Solutions  
P.O. Box 1732  
Waseca, MN 56093  
1-800-247-8256

TITLE  
ASSEMBLY, .080 (2.0mm) TIP JACK,  
INSULATED PANEL MOUNT,  
SOLDER TERMINAL

SHEET 2 OF 2

DRAWING NO.  
B - 105-0801/0820-001