



Chipsmall Limited consists of a professional team with an average of over 10 year of expertise in the distribution of electronic components. Based in Hongkong, we have already established firm and mutual-benefit business relationships with customers from,Europe,America and south Asia,supplying obsolete and hard-to-find components to meet their specific needs.

With the principle of “Quality Parts,Customers Priority,Honest Operation,and Considerate Service”,our business mainly focus on the distribution of electronic components. Line cards we deal with include Microchip,ALPS,ROHM,Xilinx,Pulse,ON,Everlight and Freescale. Main products comprise IC,Modules,Potentiometer,IC Socket,Relay,Connector.Our parts cover such applications as commercial,industrial, and automotives areas.

We are looking forward to setting up business relationship with you and hope to provide you with the best service and solution. Let us make a better world for our industry!



Contact us

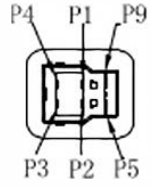
Tel: +86-755-8981 8866 Fax: +86-755-8427 6832

Email & Skype: info@chipsmall.com Web: www.chipsmall.com

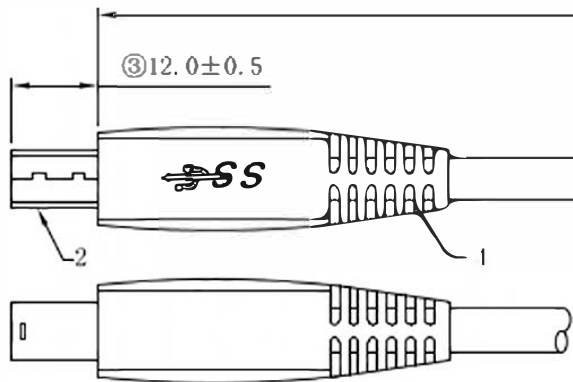
Address: A1208, Overseas Decoration Building, #122 Zhenhua RD., Futian, Shenzhen, China



REV.	Change NO.	Change Description	Date	Approved
A0		NEW	2015.08.12	



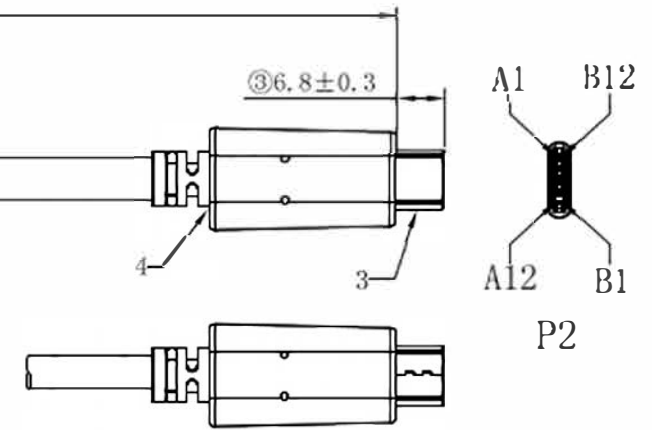
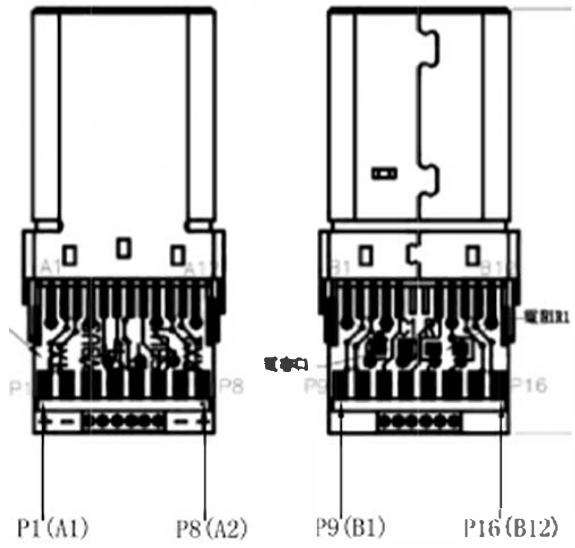
P2



USB3.0 B/M MOLDING TYPE
OUTER MOLD NO. :HJ-CT-180

PIN OUT

P1	RED	P2	
1	GREEN	3	
2	WHITE	5	
3	BLACK	4	
4	GND		
5	BLUE	15	} Brown Foil
6	WHITE	16	
7	DRAIN	GND	
8	BLUE	2	} Purple Foil
9	WHITE	1	
SHELL	D+B	SHELL	



USB TYPE C/M MOLDING TYPE
OUTER MOLD NO. :HJ-CT-422

CnC Tech PART NUMBER:
105-1030-BL-00100
105-1030-BL-00200
105-1030-BL-00300
105-1030-BL-00500

5	TIE	L=60mm	1	PC
4	MOLDING	45P PVC BK-01	10	G
3	USB3.0 B/M	USB3.0 B/M 9P	1	PCS
2	USB Type C	USB Type C/M	1	SET
1	CABLE	(7/0.12TS+PEF1D0.90*2C+D7/0.12TS+AL+M)*2P+(7/0.12TS+HDPE1D0.7*1P)+(7/0.20TS+PVC1D1.05*2C)+(PP 3800DX2)+AL+D7/0.12BS+96#/0.12ALAG+PVC OD5.5mm BK	1	PCS
NO.	Name	Specifications	QTY	UNIT

ITEM NO.	105-1030-BL-00XXX	Customer	/
DESCRIPTION	TYPE-C MALE to USB 3.0 B/MALE	REV.	A0
MATERIAL NO.		PAGE	1 OF 1
CnC Tech, LLC		UNIT	CHECK
		SCALE	NONE
		PROJECTION	DATE
		FILE/N	/
		APPRO	
		DRAWN	
		DATE	2015.08.12