



Chipsmall Limited consists of a professional team with an average of over 10 year of expertise in the distribution of electronic components. Based in Hongkong, we have already established firm and mutual-benefit business relationships with customers from,Europe,America and south Asia,supplying obsolete and hard-to-find components to meet their specific needs.

With the principle of “Quality Parts,Customers Priority,Honest Operation,and Considerate Service”,our business mainly focus on the distribution of electronic components. Line cards we deal with include Microchip,ALPS,ROHM,Xilinx,Pulse,ON,Everlight and Freescale. Main products comprise IC,Modules,Potentiometer,IC Socket,Relay,Connector.Our parts cover such applications as commercial,industrial, and automotives areas.

We are looking forward to setting up business relationship with you and hope to provide you with the best service and solution. Let us make a better world for our industry!



Contact us

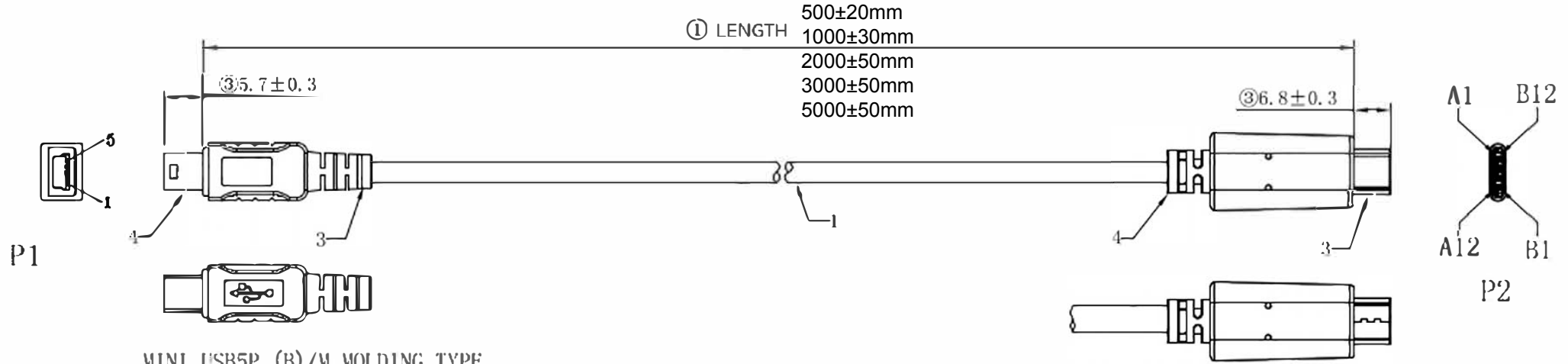
Tel: +86-755-8981 8866 Fax: +86-755-8427 6832

Email & Skype: info@chipsmall.com Web: www.chipsmall.com

Address: A1208, Overseas Decoration Building, #122 Zhenhua RD., Futian, Shenzhen, China

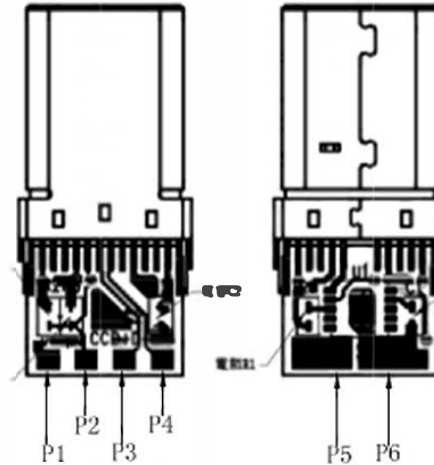
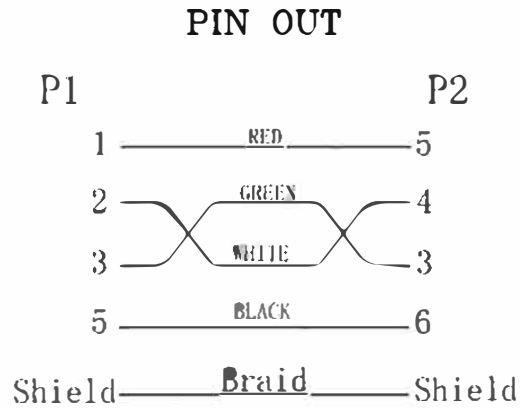


REV.	Change NO.	Change Description	Date	Approved
A0		NEW	2015.08.12	



MINI USB5P (B)/M MOLDING TYPE
OUTER MOLD NO. :HJ-CT-142

USB TYPE C/M MOLDING TYPE
OUTER MOLD NO. :HJ-CT-122



CnC Tech PART NUMBER:
 105-1031-BL-00100
 105-1031-BL-00200
 105-1031-BL-00300
 105-1031-BL-00500

NO.	Name	Specifications	QTY	UNIT
5	TIE	L=60mm	1	PC
4	MOLDING	45P PVC BK-01	10	g
3	USB Type C	USB3.1 Type C/M	1	PCS
2	MINI USB	MINI USB 5P/M	1	SET
1	CABLE	[(7/0.12TS+PVCID0.8) 1P+7/0.2TS+PVCID1.35*2C]+ADB+PVC OD4.2	1	PCS

ITEM NO.	105-1031-BL-00XXX	Customer	/
DESCRIPTION	TYPE-C 3.1 10 USB 2.0 MINI B/M	REV.	A0 FILE/N /
MATERIAL NO.		PAGE	1 OF 1 APPRO
CnC Tech, LLC		UNIT	mm CHECK
		SCALE	NONE DRAWN
		PROJECTION	DATE: 2015.08.12