



Chipsmall Limited consists of a professional team with an average of over 10 year of expertise in the distribution of electronic components. Based in Hongkong, we have already established firm and mutual-benefit business relationships with customers from,Europe,America and south Asia,supplying obsolete and hard-to-find components to meet their specific needs.

With the principle of “Quality Parts,Customers Priority,Honest Operation,and Considerate Service”,our business mainly focus on the distribution of electronic components. Line cards we deal with include Microchip,ALPS,ROHM,Xilinx,Pulse,ON,Everlight and Freescale. Main products comprise IC,Modules,Potentiometer,IC Socket,Relay,Connector.Our parts cover such applications as commercial,industrial, and automotives areas.

We are looking forward to setting up business relationship with you and hope to provide you with the best service and solution. Let us make a better world for our industry!



## Contact us

Tel: +86-755-8981 8866 Fax: +86-755-8427 6832

Email & Skype: info@chipsmall.com Web: www.chipsmall.com

Address: A1208, Overseas Decoration Building, #122 Zhenhua RD., Futian, Shenzhen, China



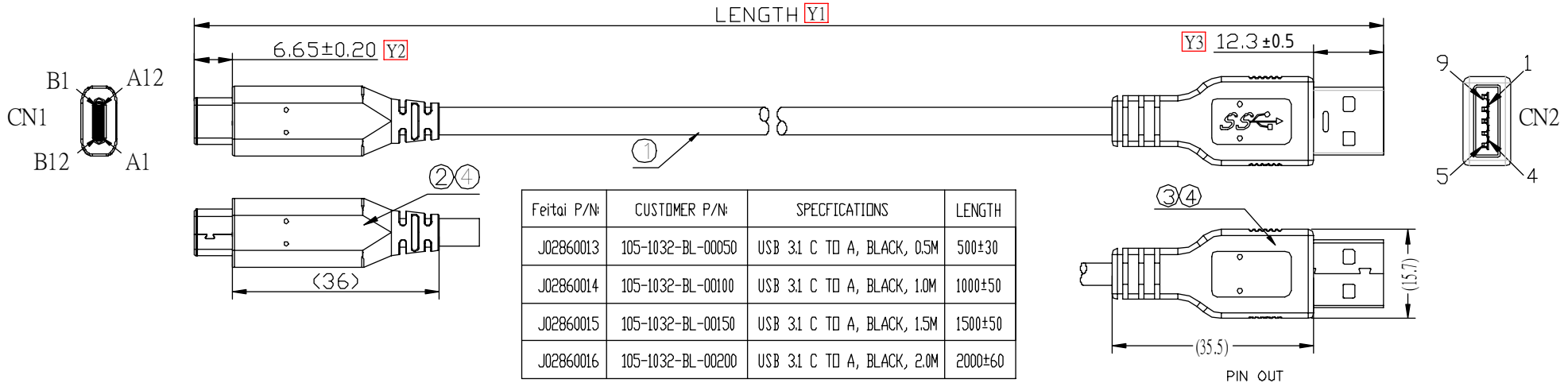


TABLE 1

MATERIALS LIST:

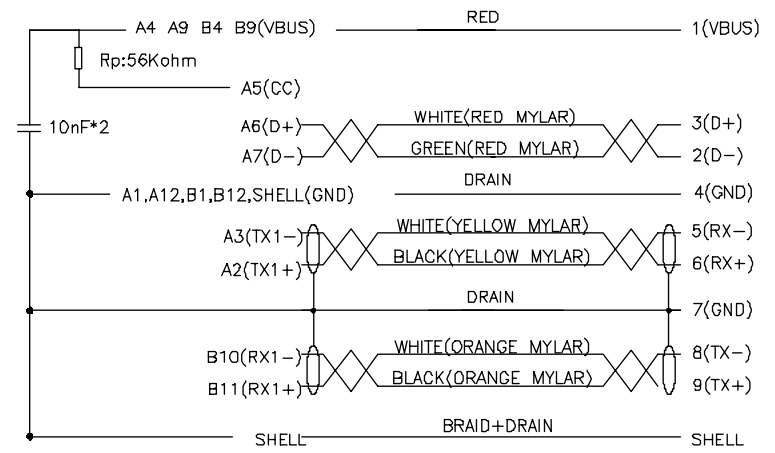
- CABLE:USB 3.1 C TO A(7/0.115TA\*1PR+EAM)\*2+(7/0.08TA\*1PR+AM)  
+7/0.2TA\*1C+T2EB 85% USB 3.1 DD:5.0mm JACKET PVC COLOR:BLACK
- CONNECTOR:USB3.1 TYPE C/M PIN 30U"  
Rp:56Kohm INSULATOR BLACK,NICKEL PLATED SHELL,
- CONNECTOR:USB 3.1 A/M INSULATOR BLUE  
NICKEL PLATED SHELL PIN G/F.
- PVC MOLDED:V398 45P BLACK

ELECTRONIC TEST:

- OPEN/SHORT/INTERMITTENCE: 100%.
- HI-POT: 50V AC/0.01sec 50V DC/0.01sec
- INSULATION RESISTANCE: 20M OHM (MIN)
- CONDUCTIVE RESISTANCE: 2 OHM (MAX)
- CAPACITIANCE DETECTION: 10nF±20% BETWEEN A1 AND A4
- RESISTANCE DETECTION: Rp=56Kohm±5% BETWEEN A4 AND A5

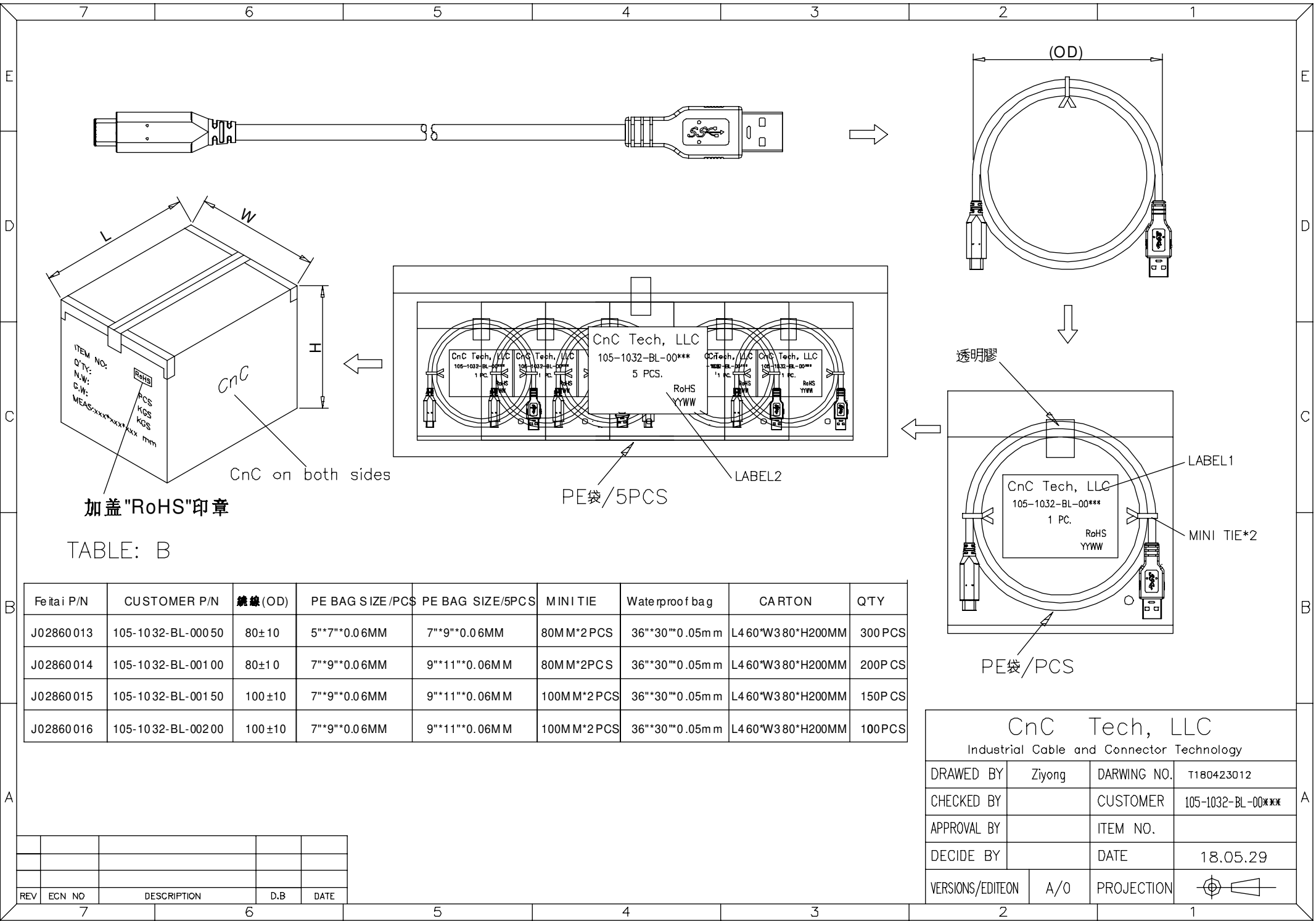
REMARK:

- ALL MATERIALS TO MEET RoHS
- CHECK IMPORTANT SIZE:Y1&Y3



<h3>CnC Tech, LLC</h3> <p>Industrial Cable and Connector Technology</p>			
DRAWN BY	Ziyong	DARWING NO.	T180423012
CHECKED BY		CUSTOMER	105-1032-BL-00***
APPROVAL BY		ITEM NO.	
DECIDE BY		DATE	18.05.29
VERSIONS/EDITEON	A/0	PROJECTION	

REV	ECN NO	DESCRIPTION	D.B	DATE



加盖"RoHS"印章

CnC on both sides

PE袋/5PCS

透明膠

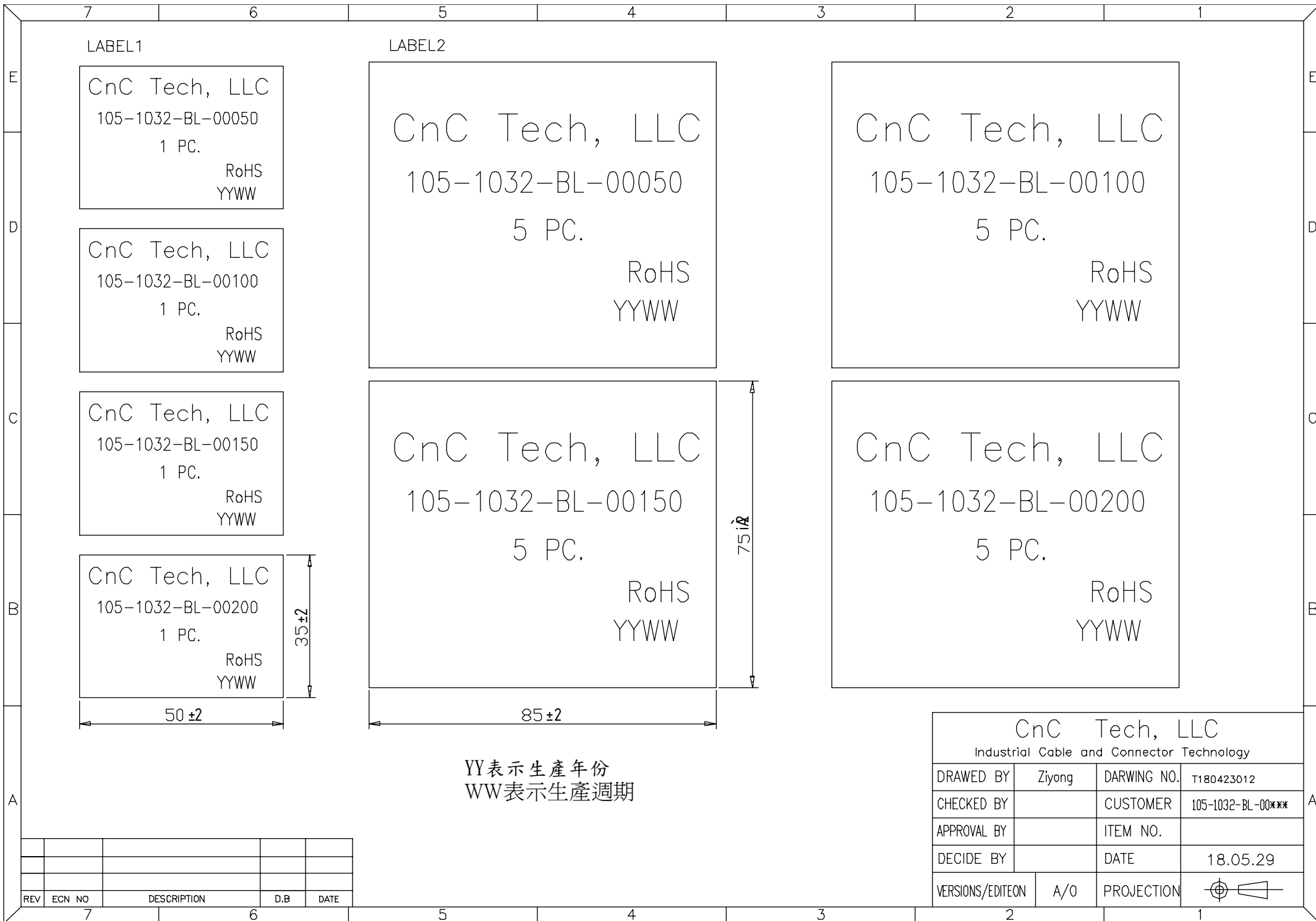
PE袋/PCS

TABLE: B

Fei tai P/N	CUSTOMER P/N	纜線(OD)	PE BAG SIZE/PCS	PE BAG SIZE/5PCS	MINI TIE	Waterproof bag	CARTON	QTY
J02860013	105-1032-BL-00050	80±10	5**7**0.06MM	7**9**0.06MM	80MM*2PCS	36**30**0.05m	L460*W380*H200MM	300PCS
J02860014	105-1032-BL-00100	80±10	7**9**0.06MM	9**11**0.06MM	80MM*2PCS	36**30**0.05m	L460*W380*H200MM	200PCS
J02860015	105-1032-BL-00150	100±10	7**9**0.06MM	9**11**0.06MM	100MM*2PCS	36**30**0.05m	L460*W380*H200MM	150PCS
J02860016	105-1032-BL-00200	100±10	7**9**0.06MM	9**11**0.06MM	100MM*2PCS	36**30**0.05m	L460*W380*H200MM	100PCS

REV	ECN NO	DESCRIPTION	D.B	DATE

CnC Tech, LLC			
Industrial Cable and Connector Technology			
DRAWN BY	Ziyong	DARWING NO.	T180423012
CHECKED BY		CUSTOMER	105-1032-BL-00***
APPROVAL BY		ITEM NO.	
DECIDE BY		DATE	18.05.29
VERSIONS/EDITEON	A/O	PROJECTION	



LABEL1

CnC Tech, LLC  
105-1032-BL-00050  
1 PC.  
RoHS  
YYWW

CnC Tech, LLC  
105-1032-BL-00100  
1 PC.  
RoHS  
YYWW

CnC Tech, LLC  
105-1032-BL-00150  
1 PC.  
RoHS  
YYWW

CnC Tech, LLC  
105-1032-BL-00200  
1 PC.  
RoHS  
YYWW

LABEL2

CnC Tech, LLC  
105-1032-BL-00050  
5 PC.

RoHS  
YYWW

CnC Tech, LLC  
105-1032-BL-00150  
5 PC.

RoHS  
YYWW

CnC Tech, LLC  
105-1032-BL-00100  
5 PC.

RoHS  
YYWW

CnC Tech, LLC  
105-1032-BL-00200  
5 PC.

RoHS  
YYWW

YY表示生產年份  
WW表示生產週期

CnC Tech, LLC

Industrial Cable and Connector Technology

DRAWN BY	Ziyong	DARWING NO.	T180423012
CHECKED BY		CUSTOMER	105-1032-BL-00***
APPROVAL BY		ITEM NO.	
DECIDE BY		DATE	18.05.29
VERSIONS/EDITEON	A/0	PROJECTION	

REV	ECN NO	DESCRIPTION	D.B	DATE