



Chipsmall Limited consists of a professional team with an average of over 10 year of expertise in the distribution of electronic components. Based in Hongkong, we have already established firm and mutual-benefit business relationships with customers from,Europe,America and south Asia,supplying obsolete and hard-to-find components to meet their specific needs.

With the principle of “Quality Parts,Customers Priority,Honest Operation,and Considerate Service”,our business mainly focus on the distribution of electronic components. Line cards we deal with include Microchip,ALPS,ROHM,Xilinx,Pulse,ON,Everlight and Freescale. Main products comprise IC,Modules,Potentiometer,IC Socket,Relay,Connector.Our parts cover such applications as commercial,industrial, and automotives areas.

We are looking forward to setting up business relationship with you and hope to provide you with the best service and solution. Let us make a better world for our industry!



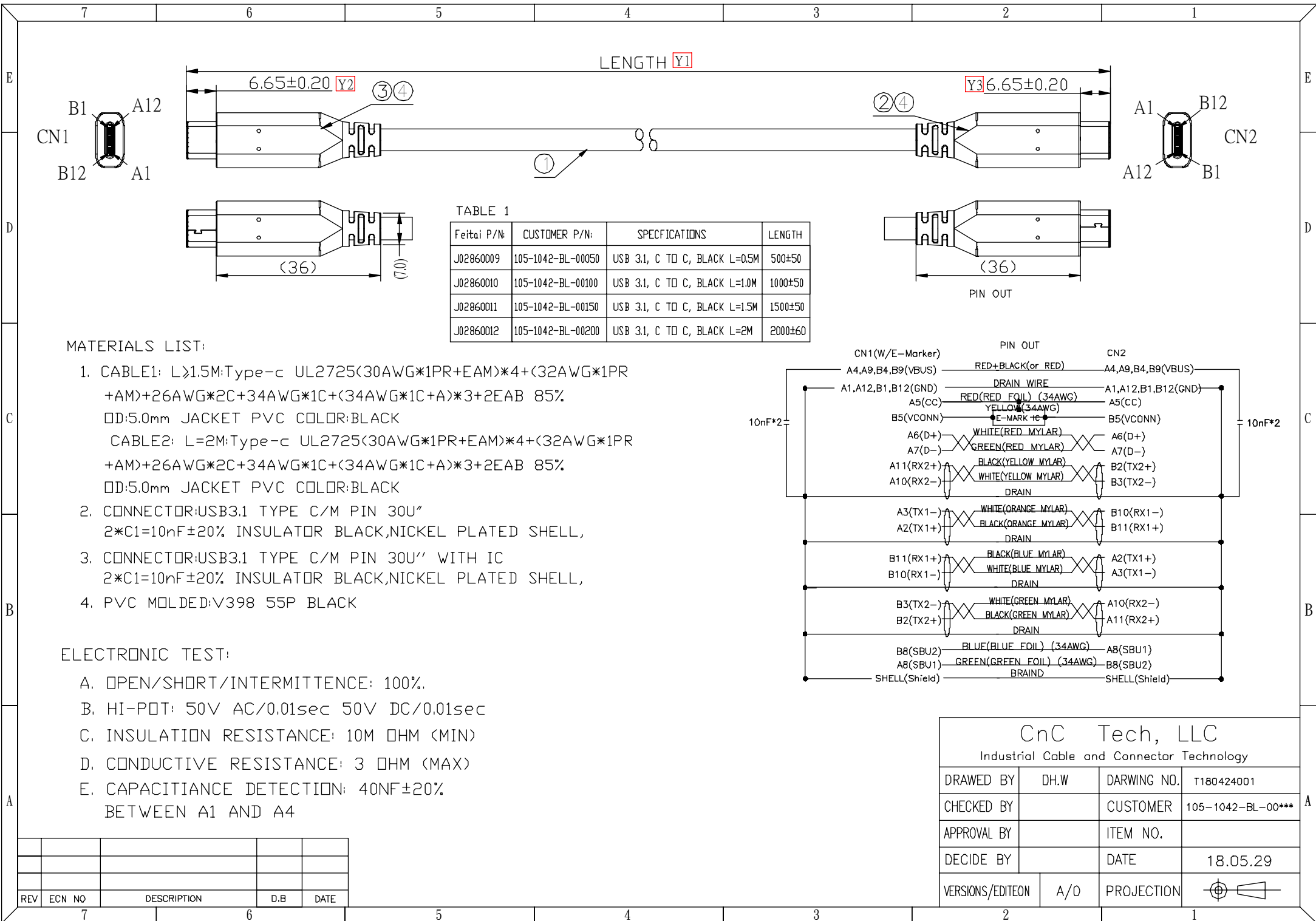
Contact us

Tel: +86-755-8981 8866 Fax: +86-755-8427 6832

Email & Skype: info@chipsmall.com Web: www.chipsmall.com

Address: A1208, Overseas Decoration Building, #122 Zhenhua RD., Futian, Shenzhen, China





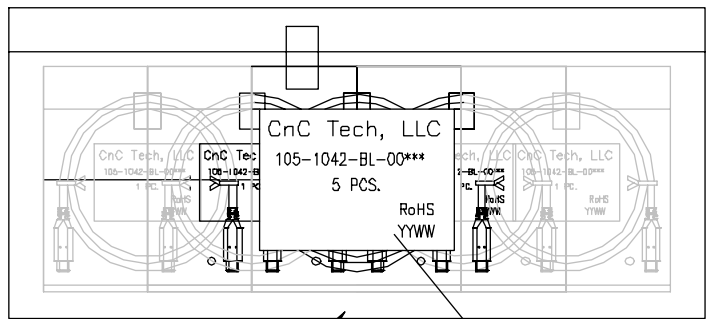
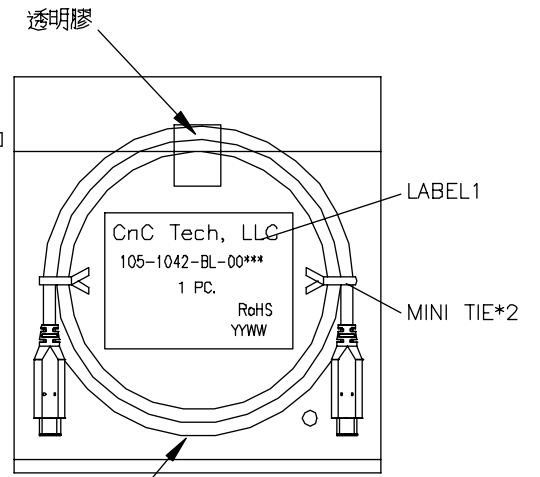
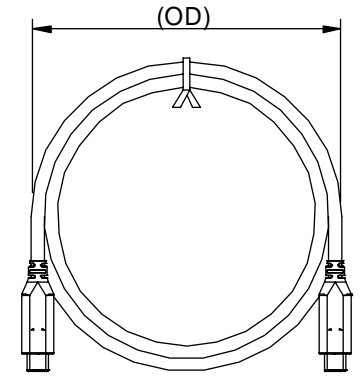
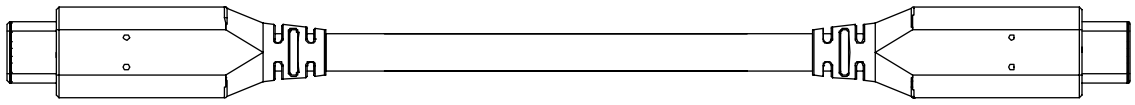
REV	ECN NO	DESCRIPTION	D.B	DATE

CnC Tech, LLC			
Industrial Cable and Connector Technology			
DRAWN BY	DH.W	DARWING NO.	T180424001
CHECKED BY		CUSTOMER	105-1042-BL-00***
APPROVAL BY		ITEM NO.	
DECIDE BY		DATE	18.05.29
VERSIONS/EDITEON	A/O	PROJECTION	

7 6 5 4 3 2 1

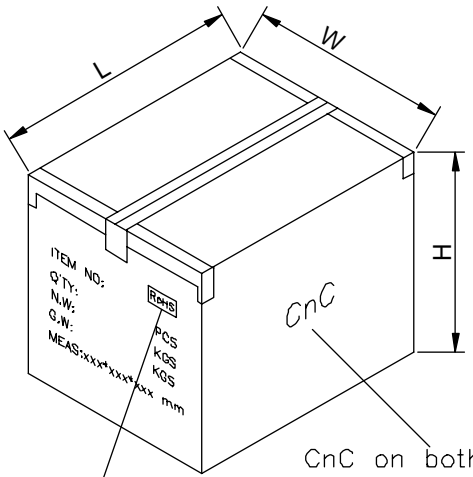
E

E



PE渝/5PCS

LABEL2



CnC on both sides

加盖“RoHS”印章

TABLE: B

Feitai P/N	CUSTOMER P/N	繞線(OD)	PE BAG SIZE/PCS	PE BAG SIZE/5PCS	MINI TIE	Waterproof bag	CARTON	Q' TY
J02860009	105-1042-BL-00050	90±10	5" *7" *0.06MM	7" *9" *0.06MM	70MM*2PCS	36" *30" *0.05mm	L460*W380*H200MM	300PCS
J02860010	105-1042-BL-00100	90±10	5" *7" *0.06MM	9" *11" *0.06MM	80MM*2PCS	36" *30" *0.05mm	L460*W380*H200MM	200PCS
J02860011	105-1042-BL-00150	110±10	7" *9" *0.06MM	9" *11" *0.06MM	90MM*2PCS	36" *30" *0.05mm	L460*W380*H200MM	150PCS
J02860012	105-1042-BL-00200	110±10	7" *9" *0.06MM	9" *11" *0.06MM	100MM*2PCS	36" *30" *0.05mm	L460*W380*H200MM	100PCS

CnC Tech, LLC

Industrial Cable and Connector Technology

DRAWN BY	DH.W	DARWING NO.	T180424001
CHECKED BY		CUSTOMER	105-1042-BL-00***
APPROVAL BY		ITEM NO.	
DECIDE BY		DATE	18.05.29
VERSIONS/EDITEON	A/0	PROJECTION	

A

A

REV	ECN NO	DESCRIPTION	D.B	DATE

7 6 5 4 3 2 1

LABEL1

CnC Tech, LLC
105-1042-BL-00050
1 PC.
RoHS
YYWW

CnC Tech, LLC
105-1042-BL-00100
1 PC.
RoHS
YYWW

CnC Tech, LLC
105-1042-BL-00150
1 PC.
RoHS
YYWW

CnC Tech, LLC
105-1042-BL-00200
1 PC.
RoHS
YYWW

50±2

35±2

LABEL2

CnC Tech, LLC
105-1042-BL-00050
5 PC.

RoHS
YYWW

CnC Tech, LLC
105-1042-BL-00150
5 PC.

RoHS
YYWW

85±2

75±2

CnC Tech, LLC
105-1042-BL-00100
5 PC.

RoHS
YYWW

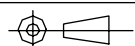
CnC Tech, LLC
105-1042-BL-00200
5 PC.

RoHS
YYWW

YY表示生產年份
WW表示生產週期

CnC Tech, LLC

Industrial Cable and Connector Technology

DRAWN BY	DH.W	DARWING NO.	T180424001
CHECKED BY		CUSTOMER	105-1042-BL-00***
APPROVAL BY		ITEM NO.	
DECIDE BY		DATE	18.05.29
VERSIONS/EDITEON	A/0	PROJECTION	

REV	ECN NO	DESCRIPTION	D.B	DATE