



Chipsmall Limited consists of a professional team with an average of over 10 year of expertise in the distribution of electronic components. Based in Hongkong, we have already established firm and mutual-benefit business relationships with customers from,Europe,America and south Asia,supplying obsolete and hard-to-find components to meet their specific needs.

With the principle of “Quality Parts,Customers Priority,Honest Operation,and Considerate Service”,our business mainly focus on the distribution of electronic components. Line cards we deal with include Microchip,ALPS,ROHM,Xilinx,Pulse,ON,Everlight and Freescale. Main products comprise IC,Modules,Potentiometer,IC Socket,Relay,Connector.Our parts cover such applications as commercial,industrial, and automotives areas.

We are looking forward to setting up business relationship with you and hope to provide you with the best service and solution. Let us make a better world for our industry!



## Contact us

Tel: +86-755-8981 8866 Fax: +86-755-8427 6832

Email & Skype: info@chipsmall.com Web: www.chipsmall.com

Address: A1208, Overseas Decoration Building, #122 Zhenhua RD., Futian, Shenzhen, China



# Tip Jacks

## Insulated Standard: Rib-Loc<sup>®</sup> Type



INCHES (MILLIMETERS)  
CUSTOMER DRAWINGS AVAILABLE UPON REQUEST

### SPECIFICATIONS

**Contact:** Brass body per QQ-B-626D with wrap around beryllium copper spring per QQ-C-553

**Finish:** Silver

**Body:** Nylon 6/6 per ASTM D4066

**Panel Thickness:** Up to .375 (9.05)

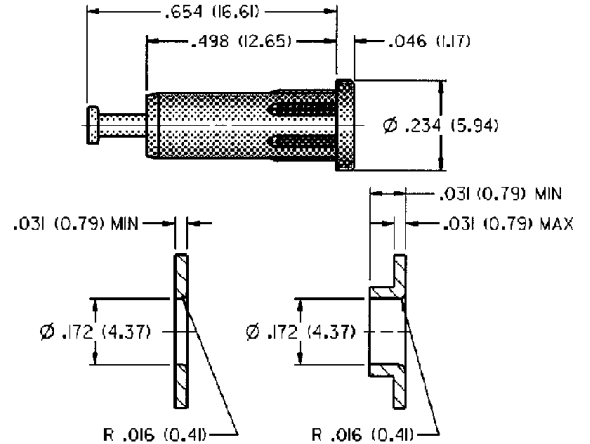
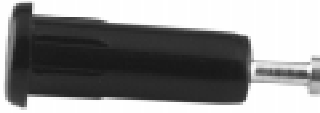
### RATINGS

**Current:** 5 amps

**Breakdown Voltage:** 3500 Vrms minimum

**Contact Resistance:** 0.005 ohms maximum

**Adjacent Jack C:** 1 pF nominal



MOUNTING HOLE OPTIONS

SILVER PLATING	
105-1050-001	Blue

**For Standard Tip Plug: .080 (2.00) Diameter**

### FEATURES:

- Machined contact with turret terminal
- Installs by pressing into mounting hole, no mounting hardware required
- Closed entry blocks access or probes greater than .085 (2.16)
- Nylon UL approved for self extinguishing