



Chipsmall Limited consists of a professional team with an average of over 10 year of expertise in the distribution of electronic components. Based in Hongkong, we have already established firm and mutual-benefit business relationships with customers from,Europe,America and south Asia,supplying obsolete and hard-to-find components to meet their specific needs.

With the principle of “Quality Parts,Customers Priority,Honest Operation,and Considerate Service”,our business mainly focus on the distribution of electronic components. Line cards we deal with include Microchip,ALPS,ROHM,Xilinx,Pulse,ON,Everlight and Freescale. Main products comprise IC,Modules,Potentiometer,IC Socket,Relay,Connector.Our parts cover such applications as commercial,industrial, and automotives areas.

We are looking forward to setting up business relationship with you and hope to provide you with the best service and solution. Let us make a better world for our industry!



Contact us

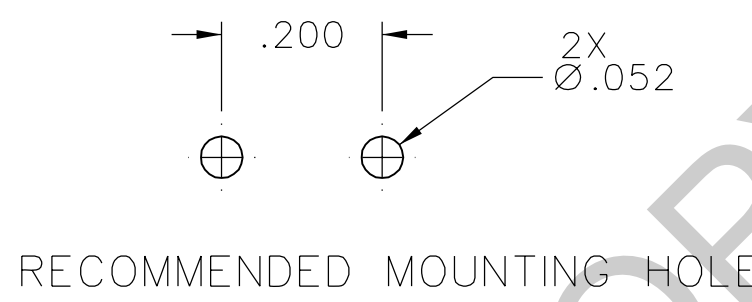
Tel: +86-755-8981 8866 Fax: +86-755-8427 6832

Email & Skype: info@chipsmall.com Web: www.chipsmall.com

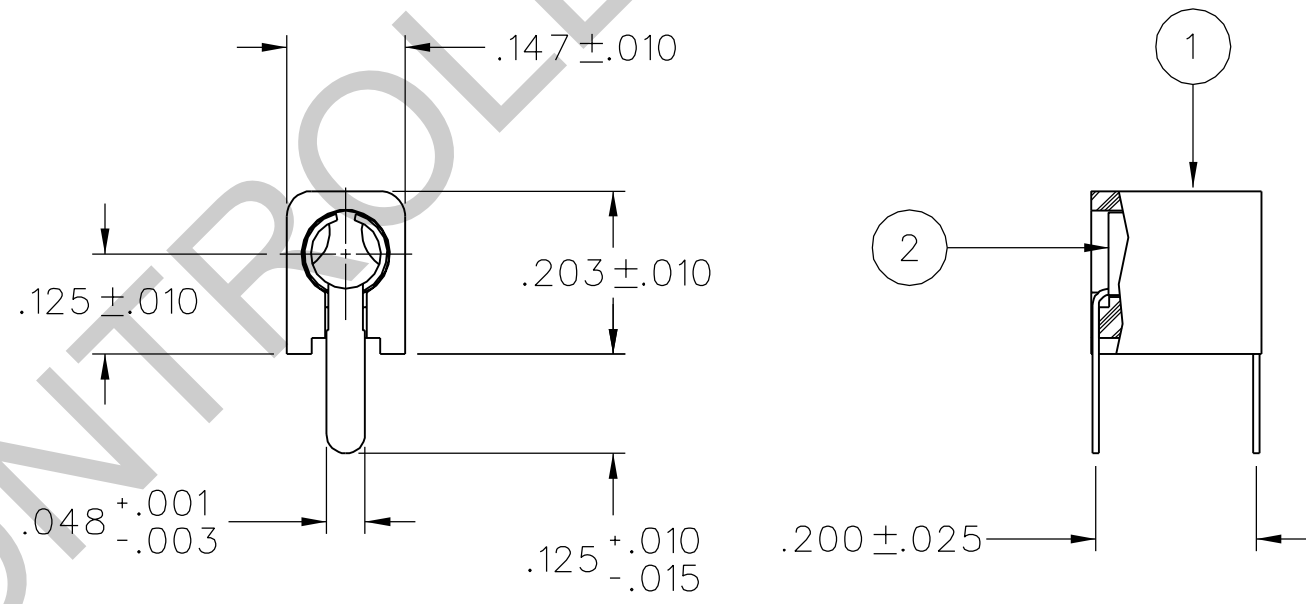
Address: A1208, Overseas Decoration Building, #122 Zhenhua RD., Futian, Shenzhen, China



PART NUMBER	ITEM ① BODY	COLOR	ITEM ② CONTACT
105-1101-001	NYLON	WHITE	COPPER ALLOY 688 SILVER PL .0001 MIN
105-1102-001		RED	
105-1103-001		BLACK	
105-1104-001		GREEN	
105-1105-001			
105-1106-001		ORANGE	
105-1107-001		YELLOW	
105-1108-001		BROWN	
105-1109-001			
105-1110-001		BLUE	
105-1111-001			
105-1112-001		VIOLET	
105-1113-001		GRAY	
105-1114-001			
105-1115-001			
105-1116-001			
105-1117-001			
105-1118-001			
105-1119-001			
105-1120-001			



NOTES:
 SPECIFICATIONS:
 ELECTRICAL:
 CURRENT RATING: 5 AMPS DC MINIMUM
 DIELECTRIC WITHSTANDING VOLTAGE: 2100 VRMS MIN AT SEA LEVEL
 RECOMMENDED WORKING VOLTAGE: 1500 VRMS MAX AT SEA LEVEL
 350 VRMS MAX AT 50,000 FEET
 INSULATION RESISTANCE: 5000 MEGOHMS MIN
 CONTACT RESISTANCE: 3 MILLIOHMS MAXIMUM
 CAPACITANCE: 1 PF NOMINAL
 MECHANICAL:
 INSERTION/WITHDRAWAL FORCE: .25 - 4.5 POUNDS
 CONTACT RETENTION IN INSULATOR FORCE: NOT APPLICABLE
 CONTACT RETENTION IN INSULATOR TORQUE: NOT APPLICABLE
 INSULATOR RETENTION IN .062 PANEL FORCE: NOT APPLICABLE
 INSULATOR RETENTION IN SLEEVE FORCE: NOT APPLICABLE
 INSULATOR RETENTION IN PANEL TORQUE: NOT APPLICABLE
 PLASTIC MOUNTING THREAD STRIPPING TORQUE: NOT APPLICABLE
 RESISTANCE TO TEST PROBE DAMAGE TORQUE: 2 IN LB MIN
 MATING TIP PLUG DIAMETER: .080
 DURABILITY: 500 CYCLES MINIMUM
 ENVIRONMENTAL:
 (MEETS OR EXCEEDS THE APPLICABLE PARAGRAPH OF MIL-PRF-39024)
 OPERATING TEMPERATURE: -55 DEG C TO 75 DEG C
 TEMPERATURE RISE AT RATED CURRENT: 10 DEG C MAXIMUM
 CORROSION: MIL-STD-1344, METHOD 1001, CONDITION B
 SHOCK: MIL-STD-1344, METHOD 2004, CONDITION G
 VIBRATION: MIL-STD-1344, METHOD 2005, CONDITION I
 HUMIDITY: MIL-STD-1344, METHOD 1002, CONDITION B



DRAWING NO. B - 105-1101/1120-001	
0	REVISIONS
REVISED AND REDRAWN. DRAWING WAS "C" SIZE 105-1101/1120-001/200 DATED 7-14-87. SPLIT INTO 4 SEPERATE DWGS. CREATED SHEET 2. ***** * REVISION NUMBER FOLLOWED BY AN ALPHA * * CHARACTER INDICATES DRAWING CLARIFICATION OR PART NUMBER ADDITION ONLY * *****	
16c	2-6-03 R H R J B ECN 48701

CUSTOMER DRAWING
 THIS DRAWING TO BE INTERPRETED PER ASME Y 14.5M - 1994
 "μSTATION"
 COMPANY CONFIDENTIAL

TOLERANCE UNLESS OTHERWISE SPECIFIED	DRAWN BY RJB	DATE 12-19-02
DECIMALS mm	CHECKED BY	DATE
.XX _____		
.XXX _____	APPROVED BY RJB	DATE 2-7-03
MATL _____	RELEASE DATE	2-7-03
FINISH _____	U/M INCH	SCALE 4:1

cinch
CONNECTIVITY SOLUTIONS
a bel group

Cinch Connectivity Solutions
P.O. Box 1732
Waseca, MN 56093
1-800-247-8256

TITLE
TIP JACK, MINIATURE
HORIZONTAL PC MOUNT
FOR .080 DIA PLUG

SHEET
2 OF 2

DRAWING NO.
B - 105-1101/1120-001