



Chipsmall Limited consists of a professional team with an average of over 10 year of expertise in the distribution of electronic components. Based in Hongkong, we have already established firm and mutual-benefit business relationships with customers from,Europe,America and south Asia,supplying obsolete and hard-to-find components to meet their specific needs.

With the principle of “Quality Parts,Customers Priority,Honest Operation,and Considerate Service”,our business mainly focus on the distribution of electronic components. Line cards we deal with include Microchip,ALPS,ROHM,Xilinx,Pulse,ON,Everlight and Freescale. Main products comprise IC,Modules,Potentiometer,IC Socket,Relay,Connector.Our parts cover such applications as commercial,industrial, and automotives areas.

We are looking forward to setting up business relationship with you and hope to provide you with the best service and solution. Let us make a better world for our industry!



## Contact us

Tel: +86-755-8981 8866 Fax: +86-755-8427 6832

Email & Skype: info@chipsmall.com Web: www.chipsmall.com

Address: A1208, Overseas Decoration Building, #122 Zhenhua RD., Futian, Shenzhen, China



# .060 (1.50) Shrouded Tip Plug

**SPECIFICATIONS**

**Contact and Nut:** Brass per QQ-B-626D

**Finish:** Gold or silver

**Body:** Nylon 6/6 per ASTM D4066

**Hardware:** Nickel plated nut (unassembled)

**Body Thread Stripping Torque:** 6 in. lb. (7 kg.cm.)

**Panel Thickness:** Up to .343 (8.80)

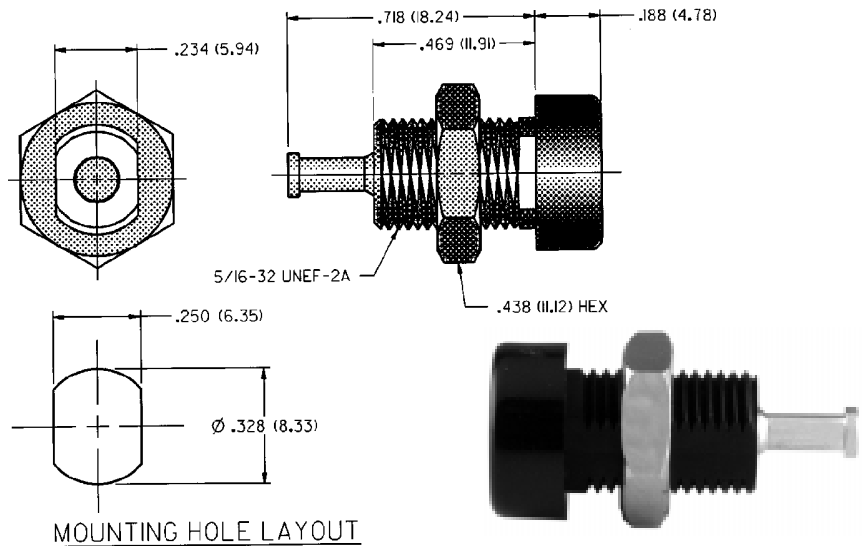
**RATINGS**

**Current:** 7 amps

**Breakdown Voltage:** 3500 Vrms minimum

**Contact Resistance:** 0.010 ohms maximum

INCHES (MILLIMETERS)  
CUSTOMER DRAWINGS AVAILABLE UPON REQUEST



GOLD PLATING	
PART NO.	COLOR
105-1302-002	Red

**For Standard Tip Jack: .060 (1.50) Diameter**

**FEATURES:**

- Keyed mounting with double flats
- Shrouded
- Nylon UL approved for self extinguishing