



Chipsmall Limited consists of a professional team with an average of over 10 year of expertise in the distribution of electronic components. Based in Hongkong, we have already established firm and mutual-benefit business relationships with customers from,Europe,America and south Asia,supplying obsolete and hard-to-find components to meet their specific needs.

With the principle of “Quality Parts,Customers Priority,Honest Operation,and Considerate Service”,our business mainly focus on the distribution of electronic components. Line cards we deal with include Microchip,ALPS,ROHM,Xilinx,Pulse,ON,Everlight and Freescale. Main products comprise IC,Modules,Potentiometer,IC Socket,Relay,Connector.Our parts cover such applications as commercial,industrial, and automotives areas.

We are looking forward to setting up business relationship with you and hope to provide you with the best service and solution. Let us make a better world for our industry!



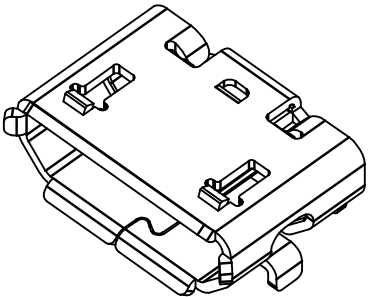
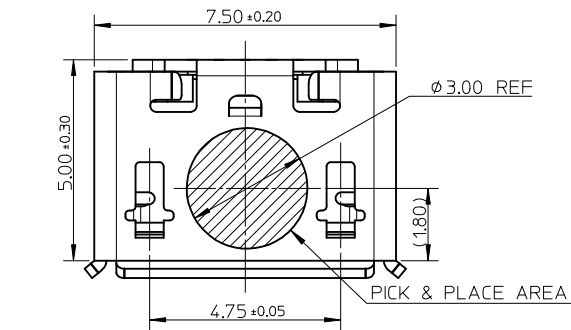
Contact us

Tel: +86-755-8981 8866 Fax: +86-755-8427 6832

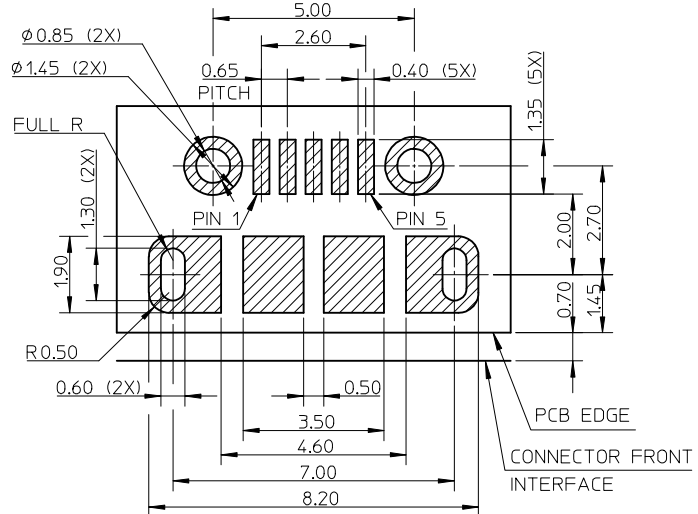
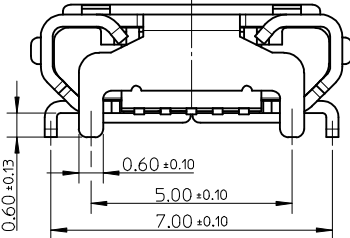
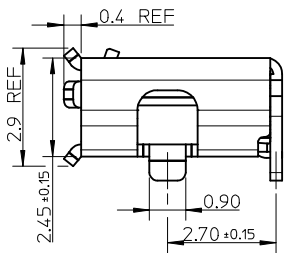
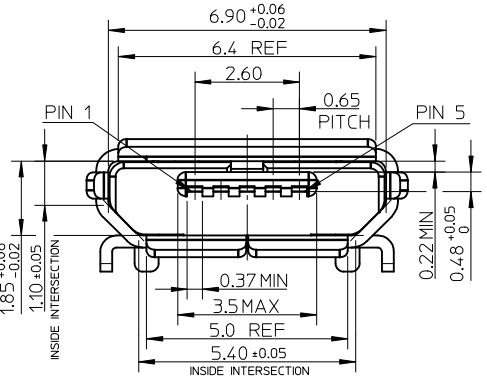
Email & Skype: info@chipsmall.com Web: www.chipsmall.com

Address: A1208, Overseas Decoration Building, #122 Zhenhua RD., Futian, Shenzhen, China

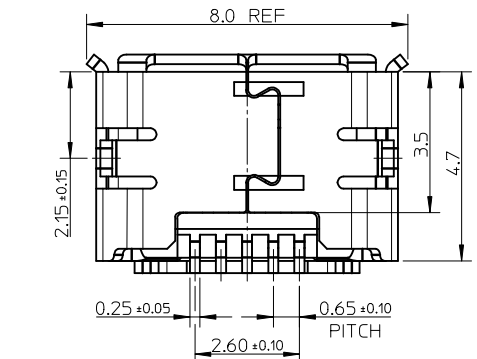




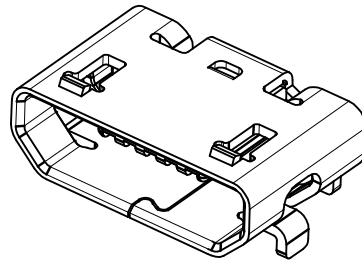
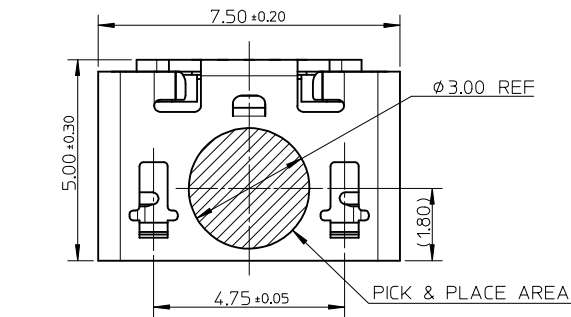
- NOTES:
- MATERIAL:
HOUSING: LCP, BLACK, UL94V-0;
TERMINAL: COPPER ALLOY, THICKNESS: 0.15mm;
SHELL: STAINLESS STEEL, THICKNESS: 0.30mm.
 - PLATING:
TERMINAL: CONTACT AREA: GOLD FLASH OVER MINIMUM 0.75MICRON Pd/Ni.
SOLDER TAIL AREA: GOLD FLASH.
UNDER PLATING: NICKEL 2.0 MICRON MINIMUM.
SHELL: MATTE TIN 2.0 MICRON
UNDER PLATING: NICKEL 1.27 MICRON MINIMUM.
 - TAIL & NAIL COPLANARITY 0.08mm MAXIMUM.
 - PRODUCT SPECIFICATION: PS-105017-001.
 - PACKAGING SPECIFICATION: PK-105017-001.
 - COMPLIANT TO RoHS DIRECTIVE 2002/95/EC AND ELV DIRECTIVE 2000/53/EC.



RECOMMENDED P.C.B. PATTERN LAYOUT
GENERAL TOLERANCE: ±0.05

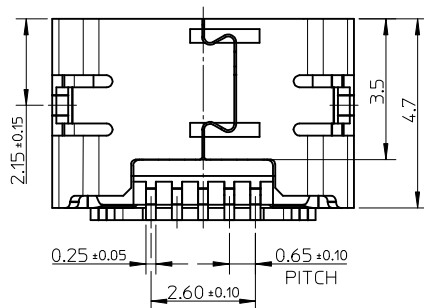
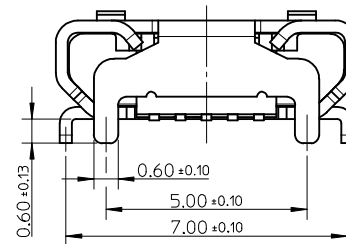
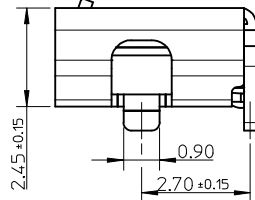
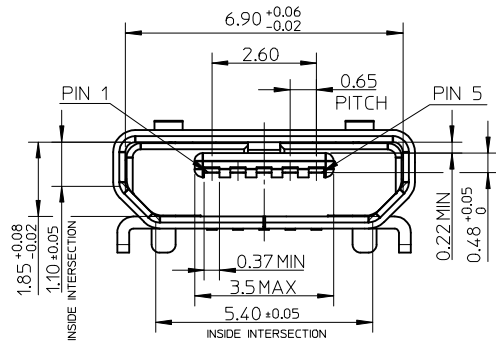


REVISED EC NO: SH2013-0168 DRAWN: XQZHANG CHKD: XQZHANG APPR: AYIN	DESCRIPTION REV	QUALITY SYMBOLS F ₀ =0 F ₀ =0 F ₀ =0	GENERAL TOLERANCES (UNLESS SPECIFIED)		DIMENSION STYLE MM ONLY		SCALE 1:1	DESIGN UNITS METRIC	THIRD ANGLE PROJECTION		
			mm	INCH	DRAWN BY XJSONG	DATE 2008/01/23	TITLE MICRO USB BOTTOM MOUNT RECEPTACLE, B TYPE				
			4 PLACES ± --- ± ---	3 PLACES ± --- ± ---	CHECKED BY JTIAN	DATE 2008/01/23					
			2 PLACES ± 0.25 ± ---	1 PLACE ± 0.25 ± ---	APPROVED BY HWWANG	DATE 2008/01/23					
ANGULAR ± 3 °		DRAFT WHERE APPLICABLE MUST REMAIN WITHIN DIMENSIONS		MATERIAL NO. 105017-0001		DOCUMENT NO. SD-105017-001		SHEET NO. 1 OF 2			
THIS DRAWING CONTAINS INFORMATION THAT IS PROPRIETARY TO MOLEX INCORPORATED AND SHOULD NOT BE USED WITHOUT WRITTEN PERMISSION											



NOTES:

1. MATERIAL:
 HOUSING: LCP, BLACK, UL94V-0;
 TERMINAL: COPPER ALLOY, THICKNESS: 0.15mm;
 SHELL: STAINLESS STEEL, THICKNESS: 0.30mm.
2. PLATING:
 TERMINAL: CONTACT AREA: GOLD FLASH OVER MINIMUM 0.75MICRON Pd/Ni.
 SOLDER TAIL AREA: GOLD FLASH.
 UNDER PLATING: NICKEL 2.0 MICRON MINIMUM.
 SHELL: MATTE TIN 3.8 MICRON
 UNDER PLATING: NICKEL 1.27 MICRON MINIMUM.
3. TAIL & NAIL COPLANARITY 0.08mm MAXIMUM.
4. PRODUCT SPECIFICATION: PS-105017-001.
5. PACKAGING SPECIFICATION: PK-105017-001.
6. COMPLIANT TO RoHS DIRECTIVE 2002/95/EC AND ELV DIRECTIVE 2000/53/EC.



SEE SHEET 1 EC NO: SH2013-0168 DRAWN: XQZHANG 2012/12/04 CHKD: XQZHANG 2012/12/04 APPR: AYIN 2012/12/10	REV	DESCRIPTION	QUALITY SYMBOLS	GENERAL TOLERANCES (UNLESS SPECIFIED)	DIMENSION STYLE	SCALE	DESIGN UNITS	THIRD ANGLE PROJECTION
			$\nabla_{\sqrt{3}} = 0$	mm INCH	MM ONLY	1:1	METRIC	
			$\nabla_{\sqrt{2}} = 0$	4 PLACES ± --- ± ---	DRAWN BY DATE	TITLE	MICRO USB BOTTOM MOUNT RECEPTACLE, B TYPE FLANGELESS TYPE	
			$\nabla_{\sqrt{1}} = 0$	3 PLACES ± --- ± ---	XJSONG 2008/01/23			
	2 PLACES ± 0.25 ± ---	CHECKED BY DATE	MATERIAL NO.	DOCUMENT NO.	SHEET NO.			
	1 PLACE ± 0.25 ± ---	JTIAN 2008/01/23				105017-1001	SD-105017-001	2 OF 2
	0 PLACE ± --- ± ---	APPROVED BY DATE	THIS DRAWING CONTAINS INFORMATION THAT IS PROPRIETARY TO MOLEX INCORPORATED AND SHOULD NOT BE USED WITHOUT WRITTEN PERMISSION					
		HWANG 2008/01/23						