



Chipsmall Limited consists of a professional team with an average of over 10 year of expertise in the distribution of electronic components. Based in Hongkong, we have already established firm and mutual-benefit business relationships with customers from,Europe,America and south Asia,supplying obsolete and hard-to-find components to meet their specific needs.

With the principle of “Quality Parts,Customers Priority,Honest Operation,and Considerate Service”,our business mainly focus on the distribution of electronic components. Line cards we deal with include Microchip,ALPS,ROHM,Xilinx,Pulse,ON,Everlight and Freescale. Main products comprise IC,Modules,Potentiometer,IC Socket,Relay,Connector.Our parts cover such applications as commercial,industrial, and automotives areas.

We are looking forward to setting up business relationship with you and hope to provide you with the best service and solution. Let us make a better world for our industry!



Contact us

Tel: +86-755-8981 8866 Fax: +86-755-8427 6832

Email & Skype: info@chipsmall.com Web: www.chipsmall.com

Address: A1208, Overseas Decoration Building, #122 Zhenhua RD., Futian, Shenzhen, China



NOTES:

1.MATERIAL:

HOUSING:HIGH TEMPERATURE THERMAL PLASTIC,BLACK,30 GLASS FILLED, UL94V-0.
 TERMINAL: COPPER ALLOY.
 SHELL: COPPER ALLOY.

2.PLATING:

TERMINAL:CONTACT AREA : (1) 0.76MICROMETER GOLD PLATING
 (2) GOLD FLASH PLATING

AND SOLDER TAIL(a) 1-3MICROMETER MATT TIN PLATING
 (b)GOLD FLSAH PLATING

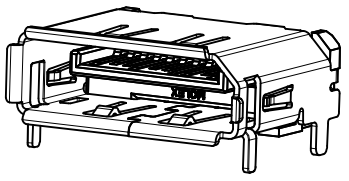
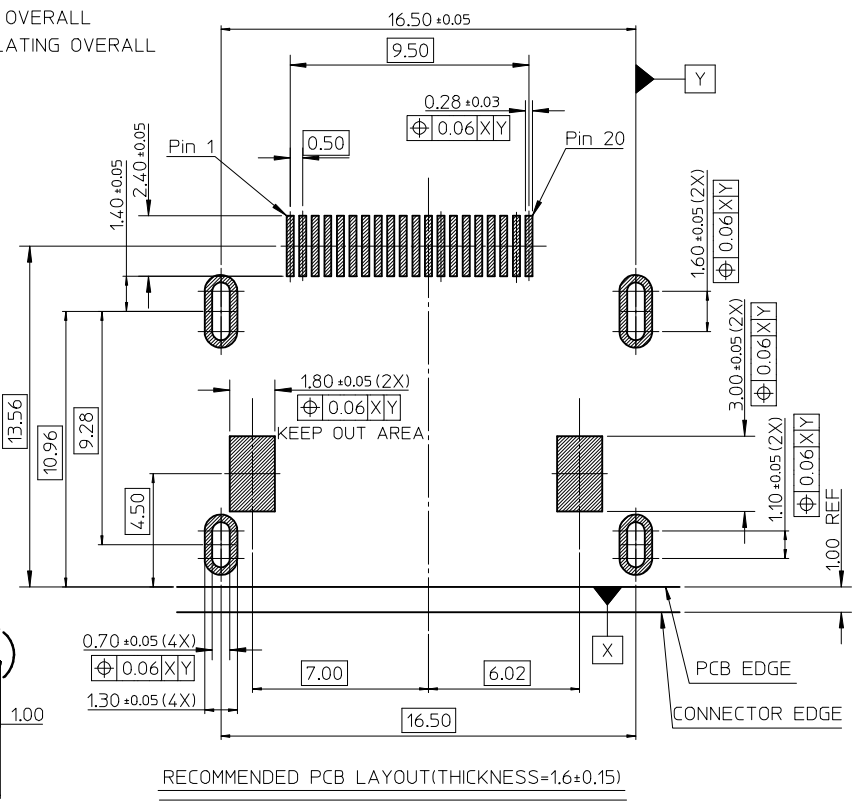
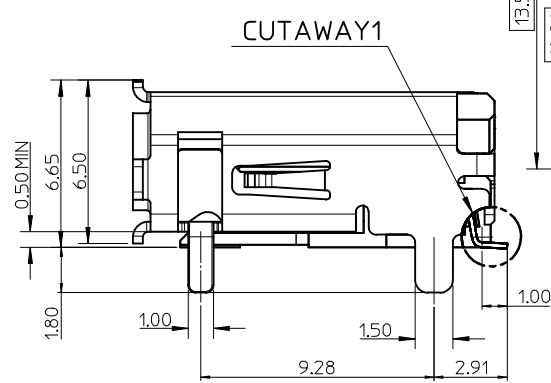
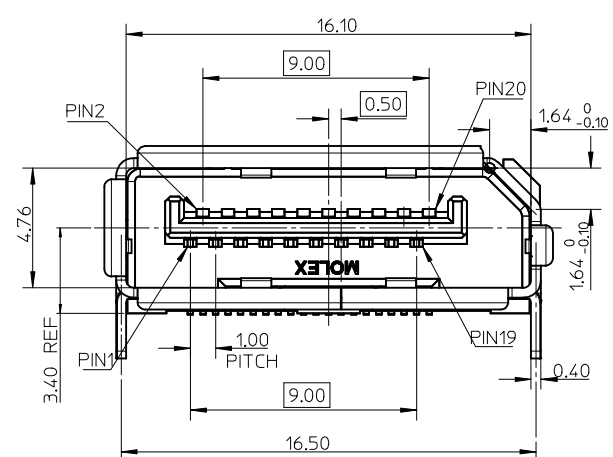
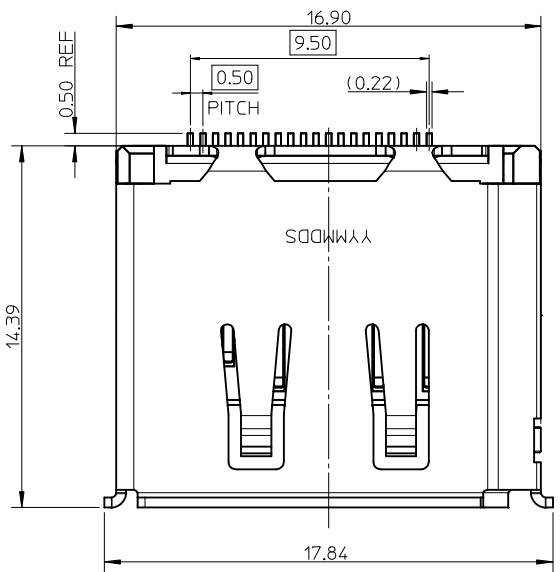
UNDER PLATING: 1 MICROMETER MIN. NICKEL PLATING OVERALL

SHELL:1.27~2.54 MICROMETER SOLDERABLE NICKEL PLATING OVERALL

3. SOLDER TAIL COPLANARITY 0.10MAX.

4. PRODUCT SPECIFICATION REFER TO PS-47272-001

5. PACKAGE SPECIFICATION REFER TO PK-105019-001



REVISED EC NO: SH2015-0046 DR:WNRZhang CH:KDRZhang APPR:AYIN 2014/07/30 2014/07/30 2014/08/13	QUALITY SYMBOLS	GENERAL TOLERANCES (UNLESS SPECIFIED)		DIMENSION STYLE MM ONLY		SCALE 1:1	DESIGN UNITS METRIC	THIRD ANGLE PROJECTION
	$F_A=0$	mm	INCH	DRAWN BY HHE	DATE 2007/05/12	TITLE 1.0MM PITCH DISPLAY PORT REVERSE TYPE R/A RECEPTACLE		
	$F_B=0$	4 PLACES ± --- ± ---	3 PLACES ± --- ± ---	CHECKED BY HWWANG	DATE 2007/05/12	molex DOCUMENT NO. SD-105019-001 SHEET NO. 1 OF 2		
	$F_C=0$	2 PLACES ± 0.25 ± ---	1 PLACE ± 0.25 ± ---	APPROVED BY JNCHEN	DATE 2007/05/12			
	0 PLACE ± ±	ANGULAR ± 2 °		MATERIAL NO. SEE SHEET 2		THIS DRAWING CONTAINS INFORMATION THAT IS PROPRIETARY TO MOLEX INCORPORATED AND SHOULD NOT BE USED WITHOUT WRITTEN PERMISSION		
D3	REV	DRAFT WHERE APPLICABLE MUST REMAIN WITHIN DIMENSIONS		SIZE A3				

10 9 8 7 6 5 4 3 2 1

F

E

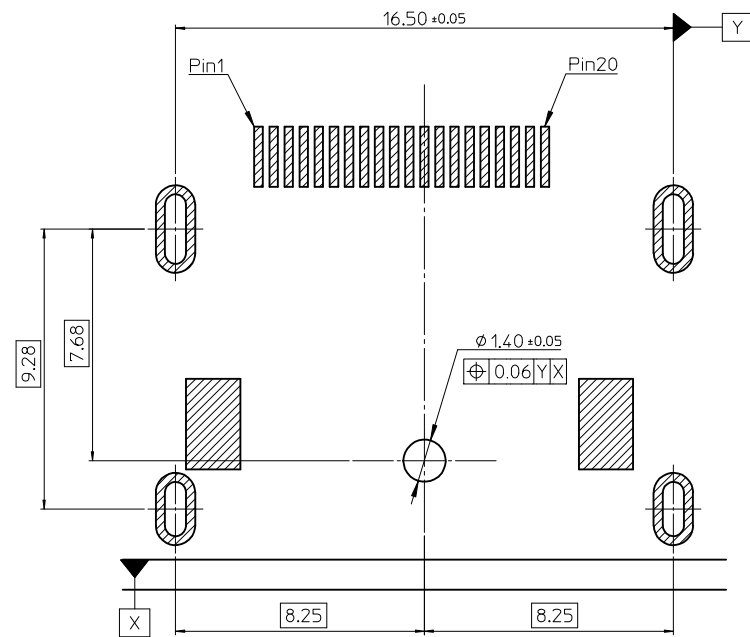
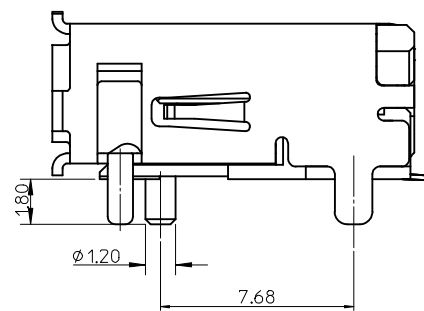
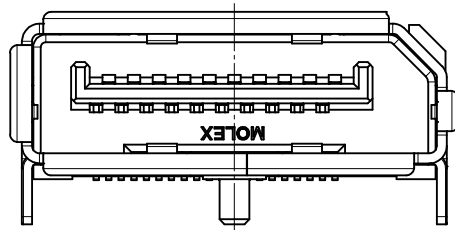
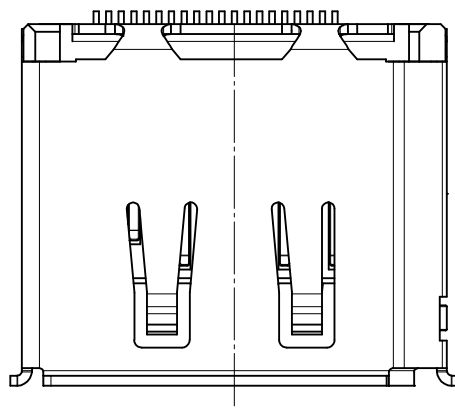
D

C

B

A

P/N	POST	PLATING ON CONTACT AREA	PLATING ON SOLDEING TAIL
105019-0001	WITHOUT	SEE NOTE 2(1)	SEE NOTE 2(a)
105019-0002	WITH	SEE NOTE 2(1)	SEE NOTE 2(a)
105019-0005	WITHOUT	SEE NOTE 2(2)	SEE NOTE 2(a)
105019-0006	WITH	SEE NOTE 2(2)	SEE NOTE 2(a)
105019-0007	WITHOUT	SEE NOTE 2(1)	SEE NOTE 2(b)
105019-0008	WITHOUT	SEE NOTE 2(2)	SEE NOTE 2(b)



WITH POST

NOTES:
1. UNSPECIFIED DIMENSION ARE SAME AS SHEET1

SEE SHEET 1 EC NO: SH2015-0046 DR: WZRZHANG CHK: RZHANG APPR: AYIN	2014/07/30 2014/07/30 2014/08/13	DESCRIPTION REV	QUALITY SYMBOLS	GENERAL TOLERANCES (UNLESS SPECIFIED)	DIMENSION STYLE	SCALE	DESIGN UNITS	THIRD ANGLE PROJECTION
			$\nabla_A = 0$ $\nabla_C = 0$ $\nabla_P = 0$	mm INCH 4 PLACES ± --- ± --- 3 PLACES ± --- ± --- 2 PLACES ± 0.25 ± --- 1 PLACE ± 0.25 ± --- 0 PLACE ± ±	MM ONLY	1:1	METRIC	
			ANGULAR ± 2 ° DRAFT WHERE APPLICABLE MUST REMAIN WITHIN DIMENSIONS	DRAWN BY: HHE DATE: 2007/05/12 CHECKED BY: HWWANG DATE: 2007/05/12 APPROVED BY: JNCHEN DATE: 2007/05/12	TITLE		1.0MM PITCH DISPLAY PORT REVERSE TYPE R/A RECEPTACLE	
				MATERIAL NO. DOCUMENT NO. SHEET NO.	SEE CHART		SD-105019-001 2 OF 2	

9 8 7 6 5 4 3 2 1