



Chipsmall Limited consists of a professional team with an average of over 10 year of expertise in the distribution of electronic components. Based in Hongkong, we have already established firm and mutual-benefit business relationships with customers from,Europe,America and south Asia,supplying obsolete and hard-to-find components to meet their specific needs.

With the principle of “Quality Parts,Customers Priority,Honest Operation,and Considerate Service”,our business mainly focus on the distribution of electronic components. Line cards we deal with include Microchip,ALPS,ROHM,Xilinx,Pulse,ON,Everlight and Freescale. Main products comprise IC,Modules,Potentiometer,IC Socket,Relay,Connector.Our parts cover such applications as commercial,industrial, and automotives areas.

We are looking forward to setting up business relationship with you and hope to provide you with the best service and solution. Let us make a better world for our industry!



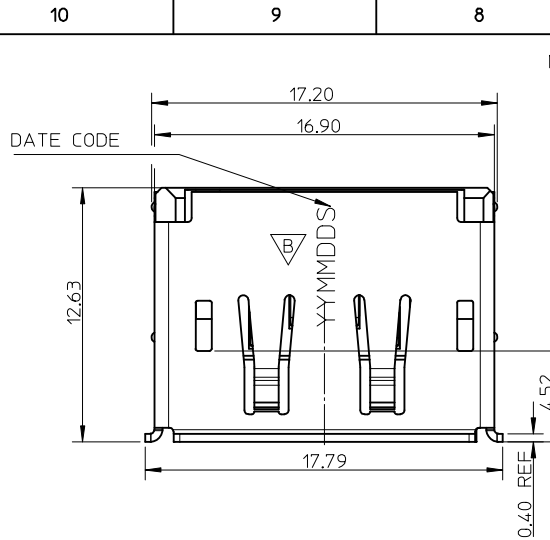
Contact us

Tel: +86-755-8981 8866 Fax: +86-755-8427 6832

Email & Skype: info@chipsmall.com Web: www.chipsmall.com

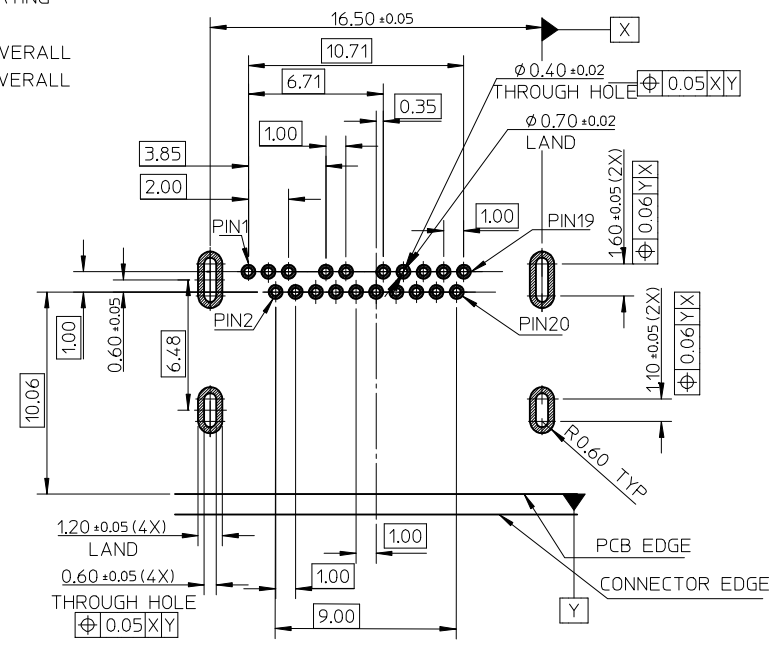
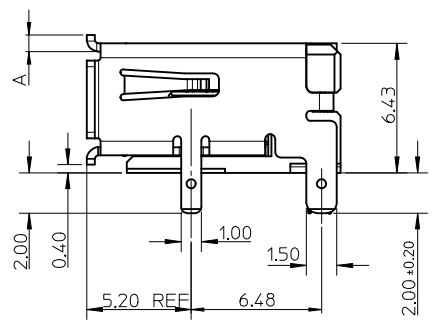
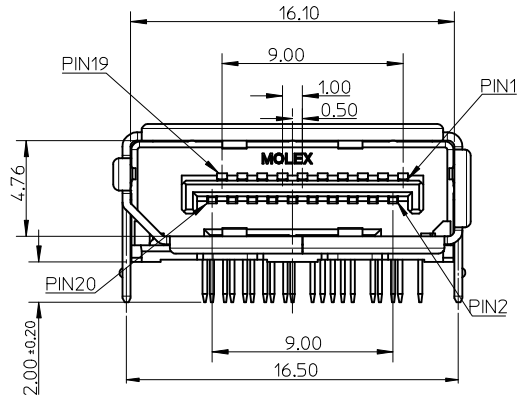
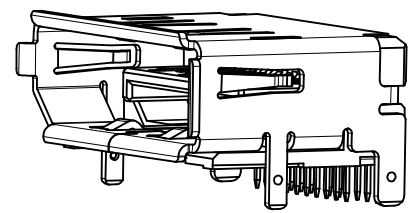
Address: A1208, Overseas Decoration Building, #122 Zhenhua RD., Futian, Shenzhen, China





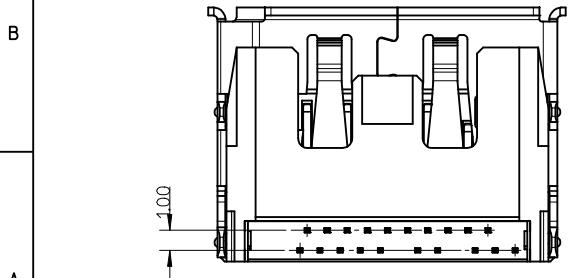
NOTES:

- MATERIAL,
 HOUSING:HIGH TEMPERATURE THERMAL PLASTIC BLACK 30% GLASS FILLED,UL94V-0.
 GUIDE:HIGH TEMPERATURE THERMAL PLASTIC BLACK 30% GLASS FILLED,UL94V-0.
 TERMINAL: COPPER ALLOY
 SHELL: STAINLESS STEEL FOR THE PART WITHOUT FLANGE
 AND PHOSPHOR BRONZE FOR PART WITH FLANGE
- PLATING:
 TERMINAL:CONTACT AREA (1) 0.76MICROMETER GOLD PLATING
 (2) 0.10MICROMETER MIN. GOLD PLATING OVER
 0.64MICROMETER MIN. PALLADIUM/NICKEL
 (3) 0.38MICROMETER GOLD PLATING
 (4) GOLD FLASH PLATING
 AND SOLDER TAIL:(a) 1~3MICROMETER MATTE TIN PLATING
 (b)GOLD FLASH PLATING
 UNDER PLATING 1~3 MICROMETER NICKEL PLATING OVERALL
 SHELL:1.27~2.54 MICROMETER SOLDERABLE NICKEL PLATING OVERALL
- PRODUCT COMPLANT TO ROHS DIERTIVE 2002/95/EC
 AND ELV DIRECTIVE 2000/53/EC



RECOMMENDER PCB LAYOUT(THINKNESS=1.6+0.15)

BOTTOM VIEW

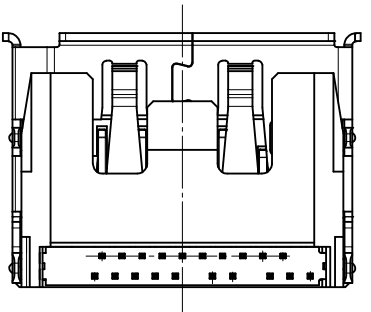
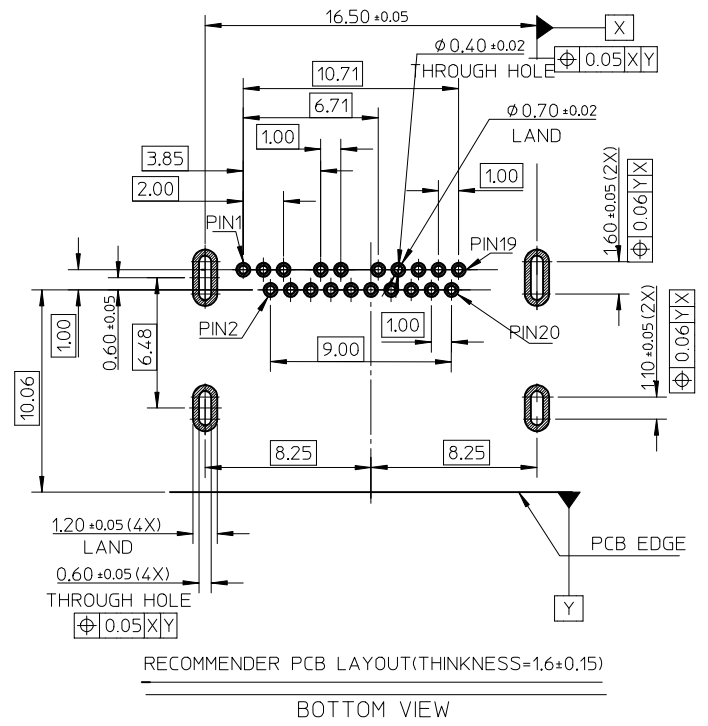
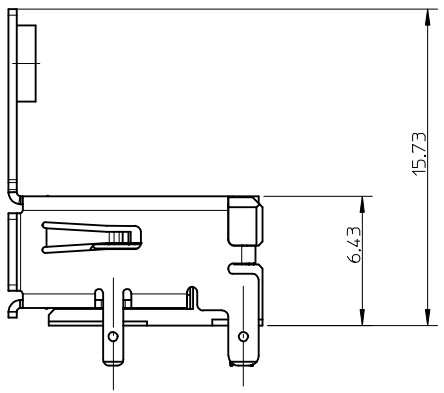
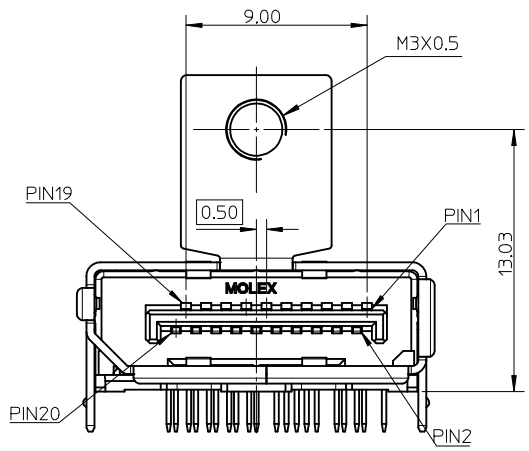
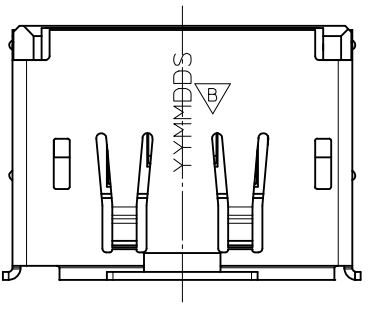
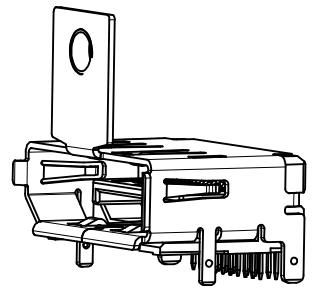


REVISED EC NO: SH2013-0046 2013/10/30 DR:WZRZHANG 2013/10/30 CH:KDRZHANG 2013/12/31 APPR:AYIN	DESCRIPTION REV	QUALITY SYMBOLS	GENERAL TOLERANCES (UNLESS SPECIFIED)		DIMENSION STYLE	SCALE	DESIGN UNITS	THIRD ANGLE PROJECTION	
		$F_{\Delta}=0$	mm	INCH	MM ONLY	1:1	METRIC		
		$F_{\square}=0$	4 PLACES ± --- ± ---	DRAWN BY HHE	DATE 2007-05-21	TITLE			
		$F_{\phi}=0$	3 PLACES ± --- ± ---	CHECKED BY HWWANG	DATE 2007-05-21	1.0MM PITCH DIP TYPE DISPLAY PORT HEADER			
		ANGULAR ± 3 °	DRAFT WHERE APPLICABLE MUST REMAIN WITHIN DIMENSIONS		APPROVED BY JNCHEN	DATE 2007-05-21	MOLEX INCORPORATED		
D6					MATERIAL NO. SEE SHEET 4	DOCUMENT NO. SD-105020-001	SHEET NO. 1 OF 4		
					SIZE A3	THIS DRAWING CONTAINS INFORMATION THAT IS PROPRIETARY TO MOLEX INCORPORATED AND SHOULD NOT BE USED WITHOUT WRITTEN PERMISSION			

10 9 8 7 6 5 4 3 2 1

WITH FLANGE

NOTES:
UNSPECIFIED DIMENSION ARE SAME AS SHEET1

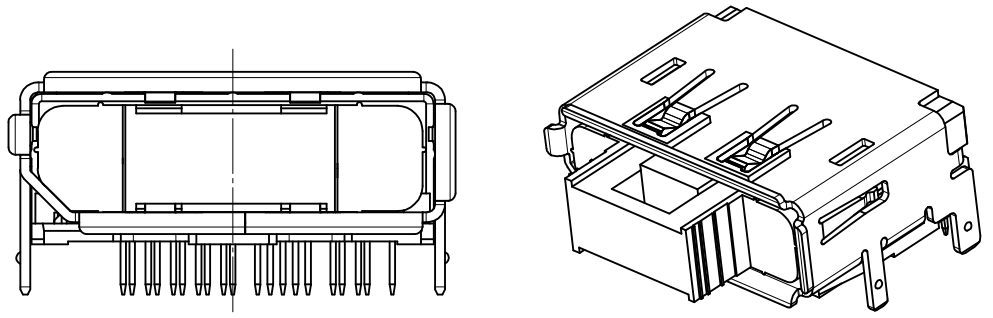


SEE SHEET 1 EC NO: SH2013-0046 DRWNR:ZHANG 2013/10/30 CHKD:RZHANG 2013/10/30 APPR:AYIN 2013/12/31	QUALITY SYMBOLS F=0 F=0 F=0	GENERAL TOLERANCES (UNLESS SPECIFIED)		DIMENSION STYLE MM ONLY	SCALE 1:1	DESIGN UNITS METRIC	THIRD ANGLE PROJECTION		
		4 PLACES ± --- ± --- 3 PLACES ± --- ± --- 2 PLACES ± 0.2 ± --- 1 PLACE ± 0.2 ± ---	mm INCH	DRAWN BY HHE	DATE 2007-05-21	TITLE 1.0MM PITCH DIP TYPE DISPLAY PORT HEADER			
		ANGULAR ± 3 °		CHECKED BY HWWANG	DATE 2007-05-21	MOLEX INCORPORATED			
		DRAFT WHERE APPLICABLE MUST REMAIN WITHIN DIMENSIONS		APPROVED BY JNCHEN	DATE 2007-05-21	MATERIAL NO. SEE SHEET 4	DOCUMENT NO. SD-105020-001	SHEET NO. 2 OF 4	

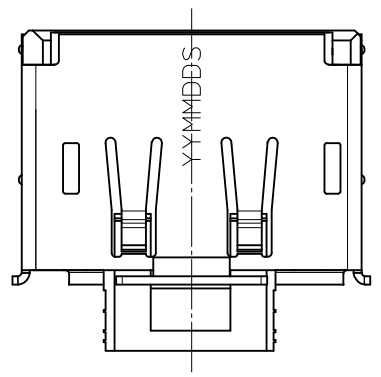
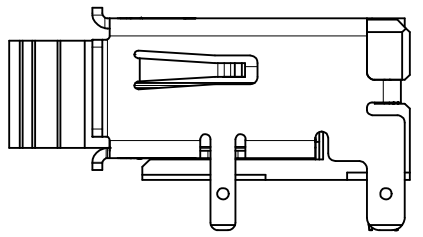
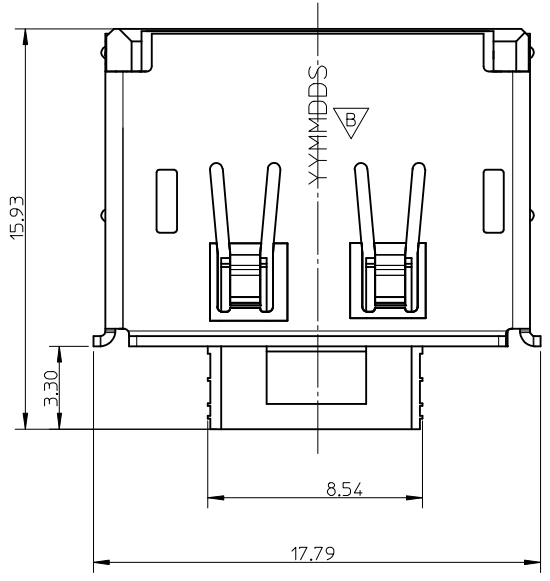
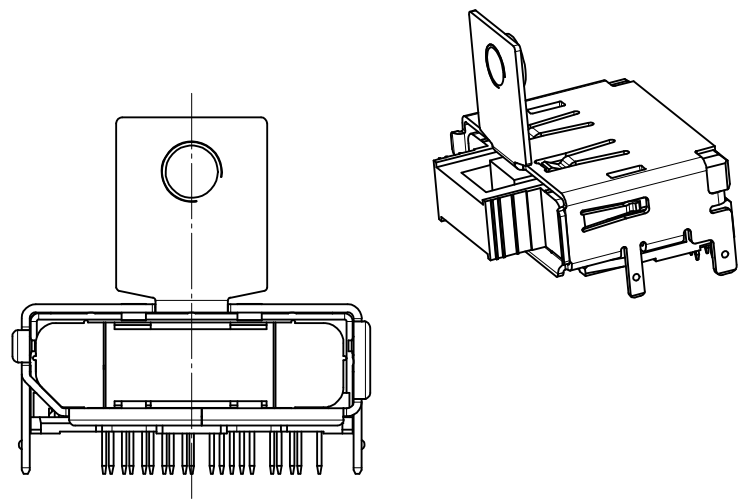
9 8 7 6 5 4 3 2 1

10 9 8 7 6 5 4 3 2 1

WITH COVER



WITH FLANGE AND COVER



- NOTES:
 1.UNSPECIFIED DIMENSION ARE SAME AS SHEET1
 2.CONNECTOR WITH COVER IS RECOMMENDED FOR WAVING SOLDERING PEG
 3.PCB DIMENSION REFER TO SHEET1

- NOTES:
 1.UNSPECIFIED DIMENSION ARE SAME AS SHEET1
 2.CONNECTOR WITH COVER IS RECOMMENDED FOR WAVING SOLDERING PEG
 3.PCB DIMENSION REFER TO SHEET1

SEE SHEET 1 EC NO: SH2013-0046 DRWNR:ZHANG CHKDR:ZHANG APPR:AYIN 2013/10/30 2013/10/30 2013/12/31	QUALITY SYMBOLS $F_A=0$ $F_G=0$ $F_P=0$	GENERAL TOLERANCES (UNLESS SPECIFIED)		DIMENSION STYLE	SCALE	DESIGN UNITS	THIRD ANGLE PROJECTION
				MM ONLY	1:1	METRIC	
				DRAWN BY	DATE	TITLE	
				CHECKED BY	DATE		
D6	REV	4 PLACES ± --- ± --- 3 PLACES ± --- ± --- 2 PLACES ± 0.2 ± --- 1 PLACE ± 0.2 ± ---		HHE 2007-05-21 HWWANG 2007-05-21 JNCHEN 2007-05-21	10MM PITCH DIP TYPE DISPLAY PORT HEADER		
		ANGULAR ± 3 °		APPROVED BY MATERIAL NO.	DATE DOCUMENT NO.	MOLEX INCORPORATED	
DRAFT WHERE APPLICABLE MUST REMAIN WITHIN DIMENSIONS		SEE SHEET 4		SD-105020-001		3 OF 4	
				THIS DRAWING CONTAINS INFORMATION THAT IS PROPRIETARY TO MOLEX INCORPORATED AND SHOULD NOT BE USED WITHOUT WRITTEN PERMISSION			

9 8 7 6 5 4 3 2 1

ASSEMBLY NO.	FLANGE	PLATING IN THE CONTACT AREA	PLATING IN THE SOLDER TAIL AREA	WITH COVER	REMARK	PACKAGE	A	SHELL MATERIAL
1050200001	WITHOUT	SEE NOTE2(1)	SEE NOTE2(a)	WITHOUT	FOR SHEET 1	PK-105020-001	0.82	STAINLESS STEEL
1050200251		SEE NOTE2(2)						
1050200003		SEE NOTE2(3)						
1050200004		SEE NOTE2(4)						
1050200013	WITH	SEE NOTE2(1)	SEE NOTE2(b)	WITHOUT	FOR SHEET 2	PK-105020-002	NONE	PHOSPHOR BRONZE
1050200002		SEE NOTE2(1)						
1050200252		SEE NOTE2(2)						
1050200005		SEE NOTE2(3)						
1050200016	WITHOUT	SEE NOTE2(4)	SEE NOTE2(a)	WITH	FOR SHEET 3	PK-105020-102	0.82	STAINLESS STEEL
1050200007		SEE NOTE2(1)						
1050200257		SEE NOTE2(2)						
1050200008		SEE NOTE2(1)						
1050200008	WITH	SEE NOTE2(1)	SEE NOTE2(a)	WITH	FOR SHEET 3	PK-105020-102	0.82	STAINLESS STEEL
1050200258	SEE NOTE2(2)							
1050200009	WITHOUT	SEE NOTE2(3)						
1050200010	SEE NOTE2(4)							
1050200011	WITH	SEE NOTE2(3)	SEE NOTE2(a)	WITH	FOR SHEET 3	PK-105020-102	0.82	STAINLESS STEEL
1050200012	SEE NOTE2(4)							
1050200012	WITH	SEE NOTE2(3)						
1050200121	WITHOUT	SEE NOTE2(1)						
1050200121	WITHOUT	SEE NOTE2(1)		WITHOUT	FOR SHEET 1	PK-105020-003	1.35	STAINLESS STEEL



SEE SHEET 1 EC NO: SH2013-0046 2013/10/30 DR:WZRZHANG 2013/10/30 CH:KDFZHANG 2013/10/30 APPR:AYIN 2013/12/31	QUALITY SYMBOLS	GENERAL TOLERANCES (UNLESS SPECIFIED)		DIMENSION STYLE MM ONLY		SCALE 1:1	DESIGN UNITS METRIC	THIRD ANGLE PROJECTION	
	$F_A=0$	4 PLACES	mm	INCH	DRAWN BY HHE	DATE 2007-05-21	TITLE 1.0MM PITCH DIP TYPE DISPLAY PORT HEADER		
	$F_B=0$	3 PLACES	± ---	± ---	CHECKED BY HWWANG	DATE 2007-05-21			
	$F_C=0$	2 PLACES	± 0.2	± ---	APPROVED BY JNCHE	DATE 2007-05-21	MOLEX INCORPORATED		
$F_D=0$	1 PLACE	± 0.2	± ---	MATERIAL NO. SEE TABLE	DOCUMENT NO. SD-105020-001	SHEET NO. 4 OF 4			
		ANGULAR ± 3 °		DRAFT WHERE APPLICABLE MUST REMAIN WITHIN DIMENSIONS		THIS DRAWING CONTAINS INFORMATION THAT IS PROPRIETARY TO MOLEX INCORPORATED AND SHOULD NOT BE USED WITHOUT WRITTEN PERMISSION			