



Chipsmall Limited consists of a professional team with an average of over 10 year of expertise in the distribution of electronic components. Based in Hongkong, we have already established firm and mutual-benefit business relationships with customers from,Europe,America and south Asia,supplying obsolete and hard-to-find components to meet their specific needs.

With the principle of “Quality Parts,Customers Priority,Honest Operation,and Considerate Service”,our business mainly focus on the distribution of electronic components. Line cards we deal with include Microchip,ALPS,ROHM,Xilinx,Pulse,ON,Everlight and Freescale. Main products comprise IC,Modules,Potentiometer,IC Socket,Relay,Connector.Our parts cover such applications as commercial,industrial, and automotives areas.

We are looking forward to setting up business relationship with you and hope to provide you with the best service and solution. Let us make a better world for our industry!



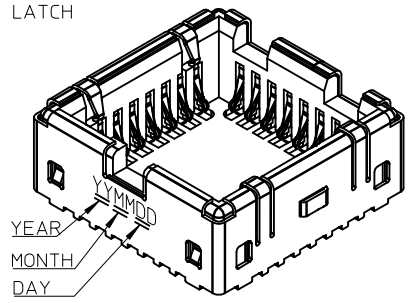
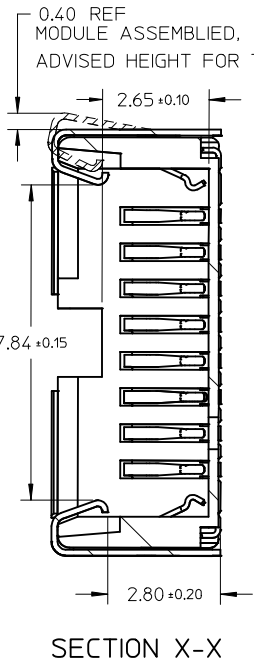
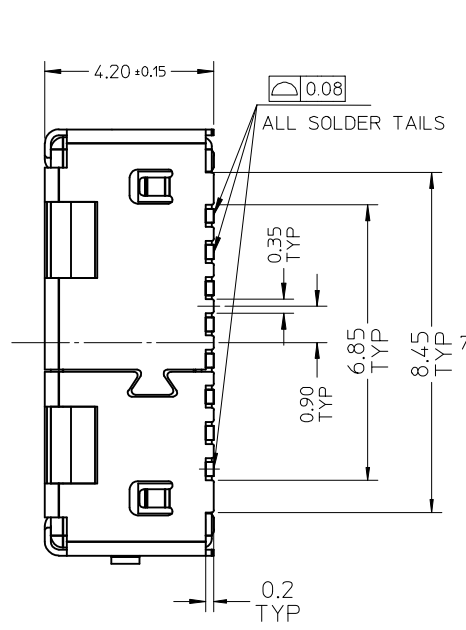
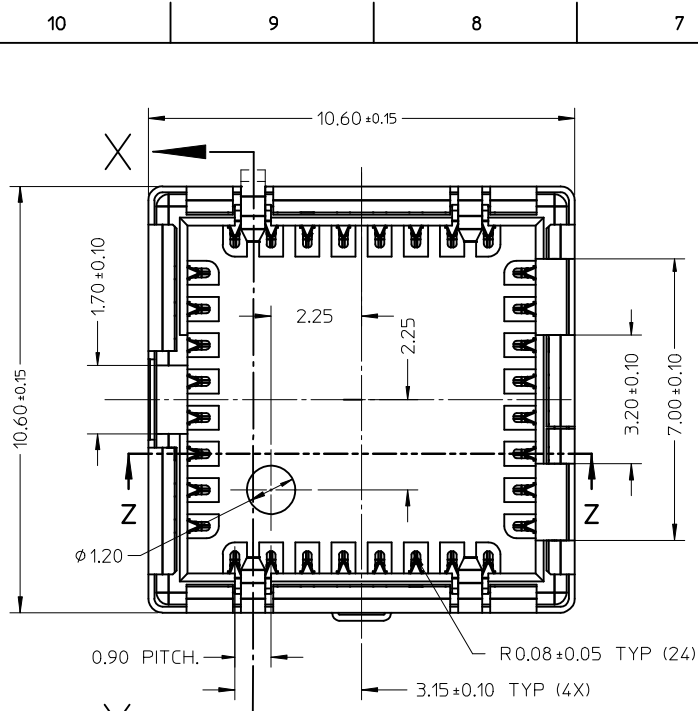
Contact us

Tel: +86-755-8981 8866 Fax: +86-755-8427 6832

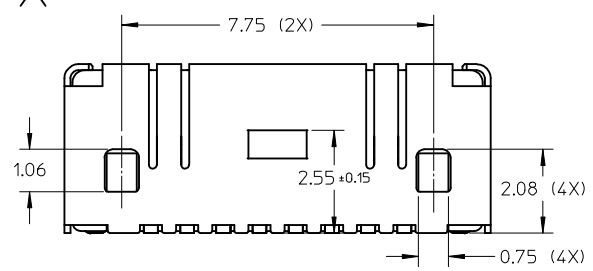
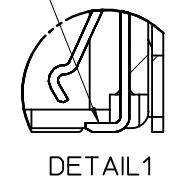
Email & Skype: info@chipsmall.com Web: www.chipsmall.com

Address: A1208, Overseas Decoration Building, #122 Zhenhua RD., Futian, Shenzhen, China

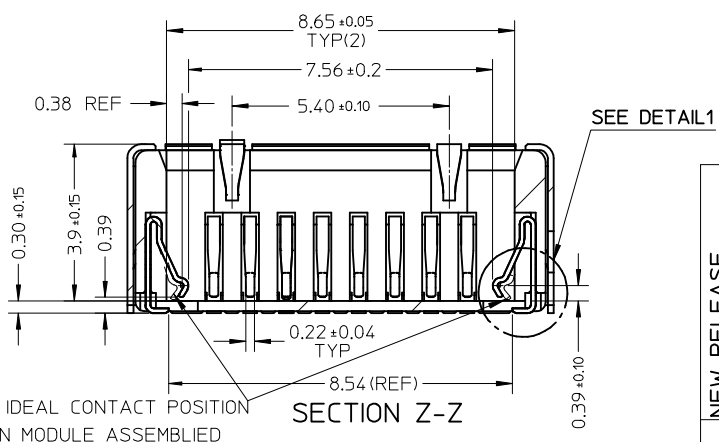




NO SOLDER PASTE AND WICKING ALLOWED.

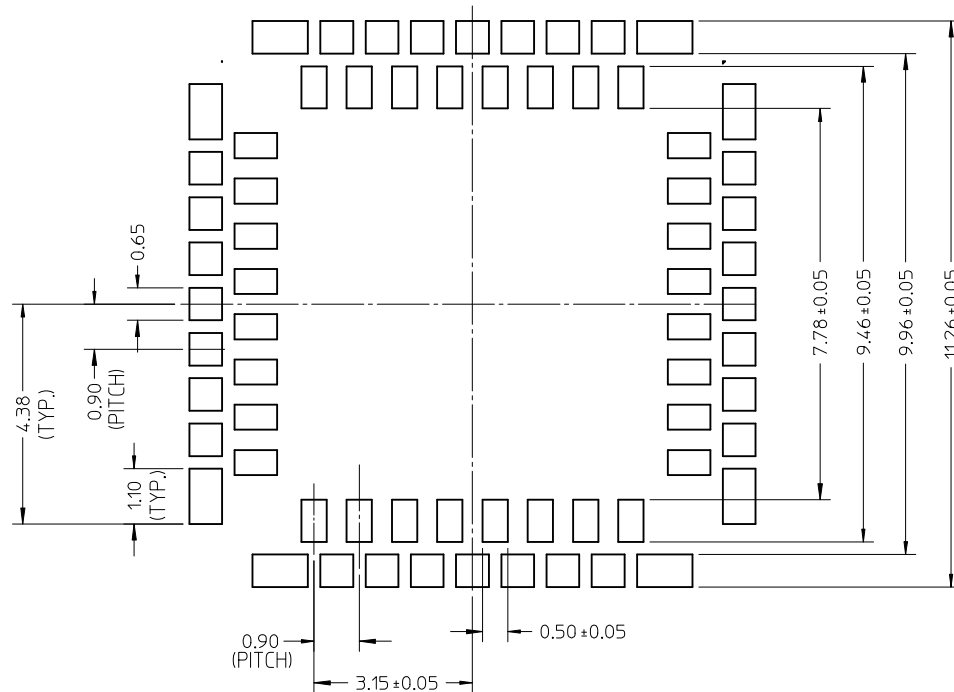


- NOTES:
- MATERIALS
HOUSING: HIGH TEMPERATURE PLASTICS, BLACK, UL94 V-0
TERMINAL: COPPER ALLOY.
SHELL: COPPER ALLOY.
 - FINISH
TERMINAL: 2-4 MICROMETER NICKEL UNDERPLATING OVERALL, GOLD PLATING 0.3 MICROMETER ON CONTACT AREA, GOLD FLASH PLATING ON SOLDER AREA.
SHELL: 1.27 MICRO MIN SOLDERABILITY NICKEL UNDERPLATING OVERALL;
 - PRODUCT SPECIFICATION: PS-105028-101
 - PAKAGING: TAPE&REEL
 - APPLICABLE CAMERA MODULE SEE SHEET 3.



THE IDEAL CONTACT POSITION WHEN MODULE ASSEMBLED

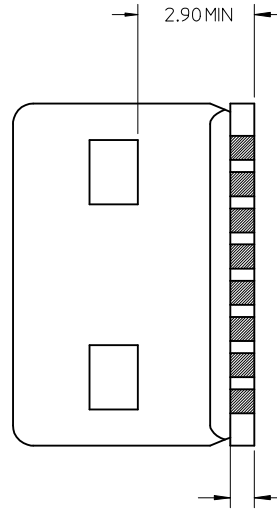
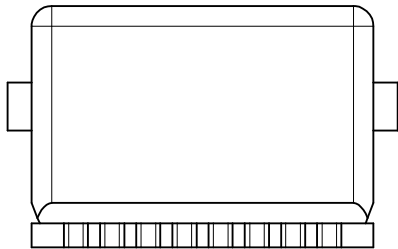
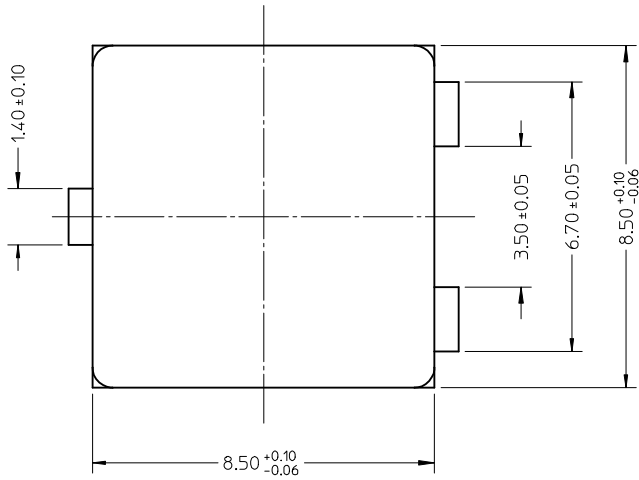
NEW RELEASE EC NO: SH2009-0694 DRW:WFDENG 2009/05/07 CHKD:WFDENG 2009/05/08 APPR:	QUALITY SYMBOLS ▽=0 ◻=0	GENERAL TOLERANCES (UNLESS SPECIFIED)		DIMENSION STYLE MM ONLY		SCALE 8:1	DESIGN UNITS METRIC	THIRD ANGLE PROJECTION			
		4 PLACES ± --- ± ---	3 PLACES ± --- ± ---	2 PLACES ± 0.10 ± ---	1 PLACE ± 0.15 ± ---	DRAWN BY PATRICK CHU	DATE 2007/06/16	TITLE 8.5*8.5 CAMERA SOCKET SIDE CONTACT TYPE TOP MOUNT			
		ANGULAR ± 1°				CHECKED BY YLZHU	DATE 2007/06/16	MOLEX INCORPORATED			
		DRAFT WHERE APPLICABLE MUST REMAIN WITHIN DIMENSIONS				APPROVED BY HWANG	DATE 2007/06/16	MATERIAL NO. 1050281001	DOCUMENT NO. SD-105028-101	SHEET NO. 1 OF 3	
THIS DRAWING CONTAINS INFORMATION THAT IS PROPRIETARY TO MOLEX INCORPORATED AND SHOULD NOT BE USED WITHOUT WRITTEN PERMISSION											



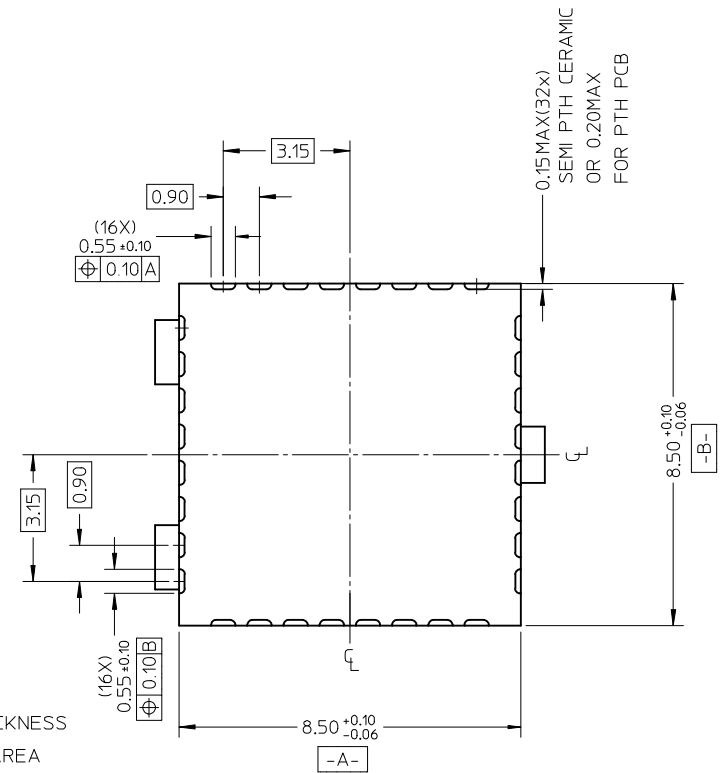
RECOMMENDED PCB LAYOUT
TOLERANCE ± 0.05 MM

NEW RELEASE EC NO: SH2009-0694 DRW:WFDENG 2009/05/07 CHK:DWFENG 2009/05/08 APPR: A	REV DESCRIPTION	QUALITY SYMBOLS	GENERAL TOLERANCES (UNLESS SPECIFIED)		DIMENSION STYLE MM ONLY		SCALE 10:1	DESIGN UNITS METRIC	THIRD ANGLE PROJECTION	
		$\nabla = 0$ $\square = 0$	mm	INCH	DRAWN BY PATRICK CHU	DATE 2007/06/16	TITLE 8.5*8.5 CAMERA SOCKET SIDE CONTACT TYPE TOP MOUNT			
		4 PLACES \pm ---	\pm ---	\pm ---	CHECKED BY YLZHU	DATE 2007/06/16	MOLEX INCORPORATED DOCUMENT NO. SD-105028-101 SHEET NO. 2 OF 3			
		3 PLACES \pm ---	\pm ---	\pm ---	APPROVED BY HWANG	DATE 2007/06/16				
2 PLACES ± 0.10	\pm ---	\pm ---	ANGULAR $\pm 1^\circ$		MATERIAL NO. 1050281001					
1 PLACE ± 0.15	\pm ---	\pm ---	DRAFT WHERE APPLICABLE MUST REMAIN WITHIN DIMENSIONS		SIZE A3		THIS DRAWING CONTAINS INFORMATION THAT IS PROPRIETARY TO MOLEX INCORPORATED AND SHOULD NOT BE USED WITHOUT WRITTEN PERMISSION			

APPLIED CAMERA MODULE



SEMI PTH THICKNESS
IN CONTACT AREA
OR 0.50MIN
PTH THICKNESS IN
CONTACT AREA



NEW RELEASE EC NO: SHZ009-0694 DRWN:WFDENG 2009/05/07 CHKD:WFDENG 2009/05/08 APPR:HWANG 2009/05/11	DESCRIPTION REV	QUALITY SYMBOLS	GENERAL TOLERANCES (UNLESS SPECIFIED)		DIMENSION STYLE MM ONLY		SCALE 8:1	DESIGN UNITS METRIC	THIRD ANGLE PROJECTION	
		▽=0 ◻=0	mm	INCH	DRAWN BY PATRICK CHU	DATE 2007/06/16	TITLE 8.5*8.5 CAMERA SOCKET SIDE CONTACT TYPE TOP MOUNT			
			4 PLACES ± --- ± ---	3 PLACES ± --- ± ---	CHECKED BY YLZHU	DATE 2007/06/16	MOLEX INCORPORATED DOCUMENT NO. SD-105028-101 SHEET NO. 3 OF 3			
			2 PLACES ± 0.10 ± ---	1 PLACE ± 0.15 ± ---	APPROVED BY HWANG	DATE 2007/06/16				
		ANGULAR ± 1 °		MATERIAL NO. 1050281001						
		DRAFT WHERE APPLICABLE MUST REMAIN WITHIN DIMENSIONS		SIZE A3		THIS DRAWING CONTAINS INFORMATION THAT IS PROPRIETARY TO MOLEX INCORPORATED AND SHOULD NOT BE USED WITHOUT WRITTEN PERMISSION				