



Chipsmall Limited consists of a professional team with an average of over 10 year of expertise in the distribution of electronic components. Based in Hongkong, we have already established firm and mutual-benefit business relationships with customers from,Europe,America and south Asia,supplying obsolete and hard-to-find components to meet their specific needs.

With the principle of “Quality Parts,Customers Priority,Honest Operation,and Considerate Service”,our business mainly focus on the distribution of electronic components. Line cards we deal with include Microchip,ALPS,ROHM,Xilinx,Pulse,ON,Everlight and Freescale. Main products comprise IC,Modules,Potentiometer,IC Socket,Relay,Connector.Our parts cover such applications as commercial,industrial, and automotives areas.

We are looking forward to setting up business relationship with you and hope to provide you with the best service and solution. Let us make a better world for our industry!



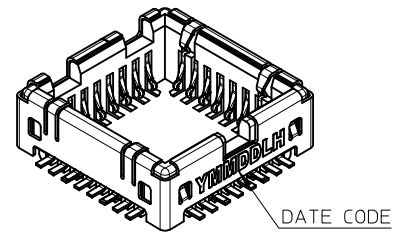
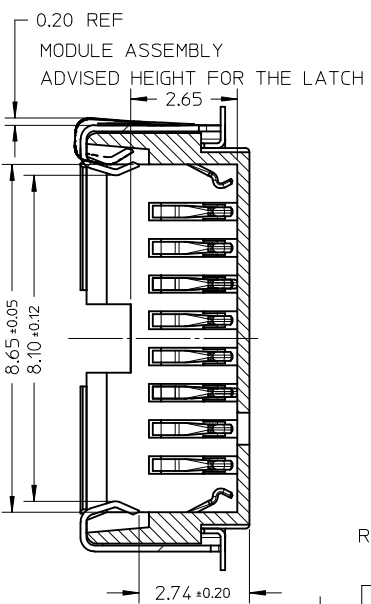
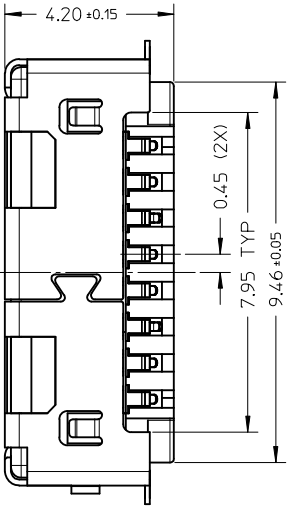
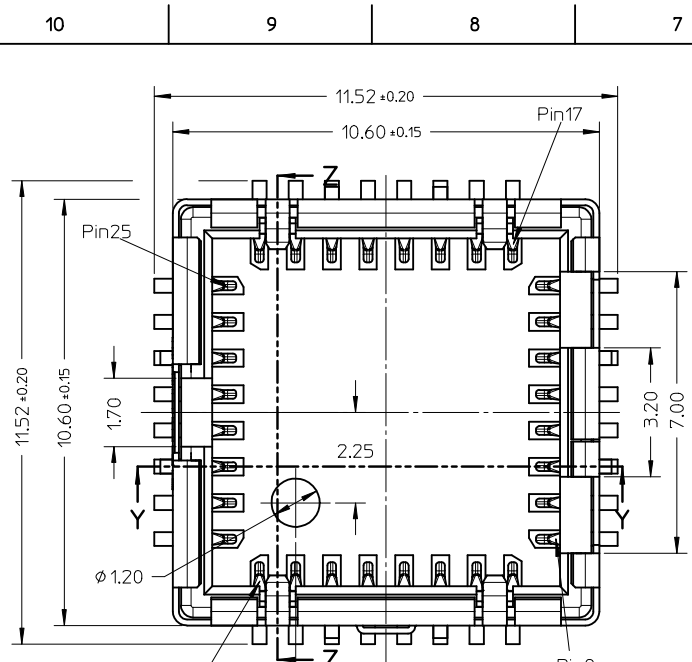
## Contact us

Tel: +86-755-8981 8866 Fax: +86-755-8427 6832

Email & Skype: info@chipsmall.com Web: www.chipsmall.com

Address: A1208, Overseas Decoration Building, #122 Zhenhua RD., Futian, Shenzhen, China

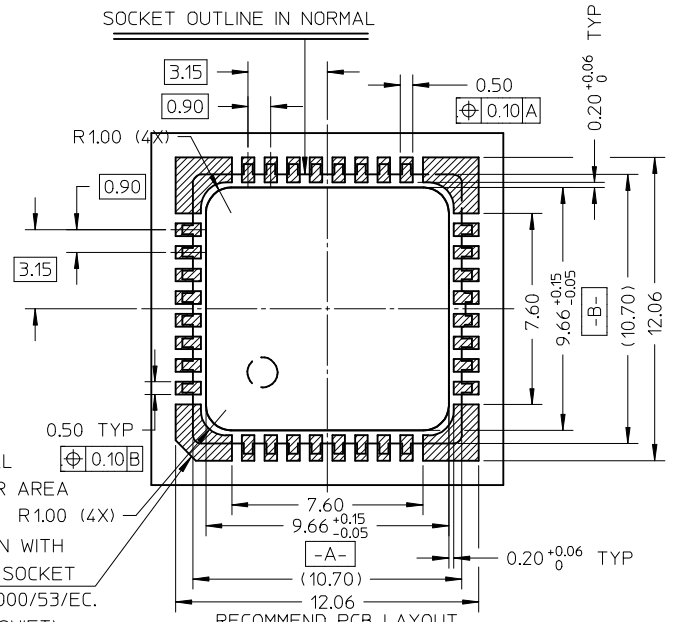




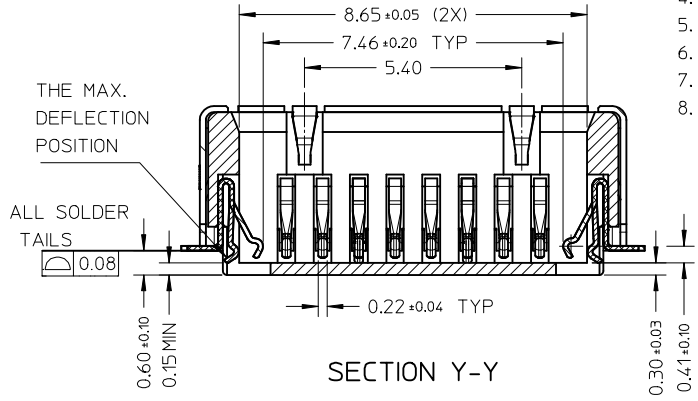
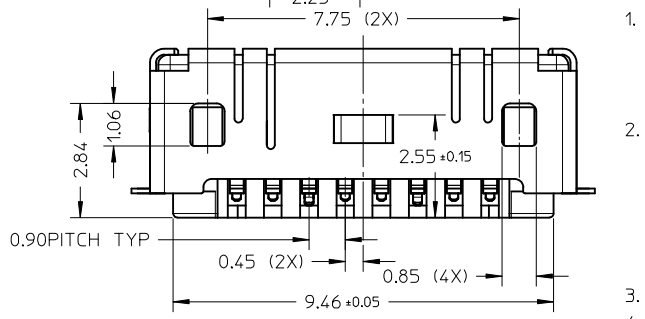
**NOTES:**

- MATERIALS**  
HOUSING: HIGH TEMPERATURE PLASTICS, BLACK, UL94 V-0  
TERMINAL: COPPER ALLOY.  
SHELL: COPPER ALLOY.
- FINISH**  
TERMINAL: 2-4 MICROMETER NICKEL UNDERPLATING OVERALL, GOLD PLATING 0.3 MICROMETER ON CONTACT AREA, GOLD FLASH PLATING ON SOLDER AREA.  
SHELL: 1.27 MICROMETER MIN NICKEL UNDERPLATING OVERALL 1.5 MICROMETER MIN MATTE TIN PLATING ON SOLDER AREA
- PRODUCT SPECIFICATION:** PS-105028-001.
- PACKAGING:** TAPE&REEL.DETAIL SEE PK-105028-201. C0.8 ALIGN WITH HOLE ON SOCKET
- APPLICABLE CAMERA MODULE** SEE SHEET 2.
- MUST BE COMPLIANT TO RoHS DIRECTIVE 2002/95/EC AND ELV 2000/53/EC.**
- DATE CODE** CONTAIN: YMMDDLH(YEAR-MONTH-DAY-LINE-HOUR OR SHIFT).
- A SUPPORTING MECHANISM IS NEEDED UNDER THE SOCKET.**

**SECTION Z-Z**



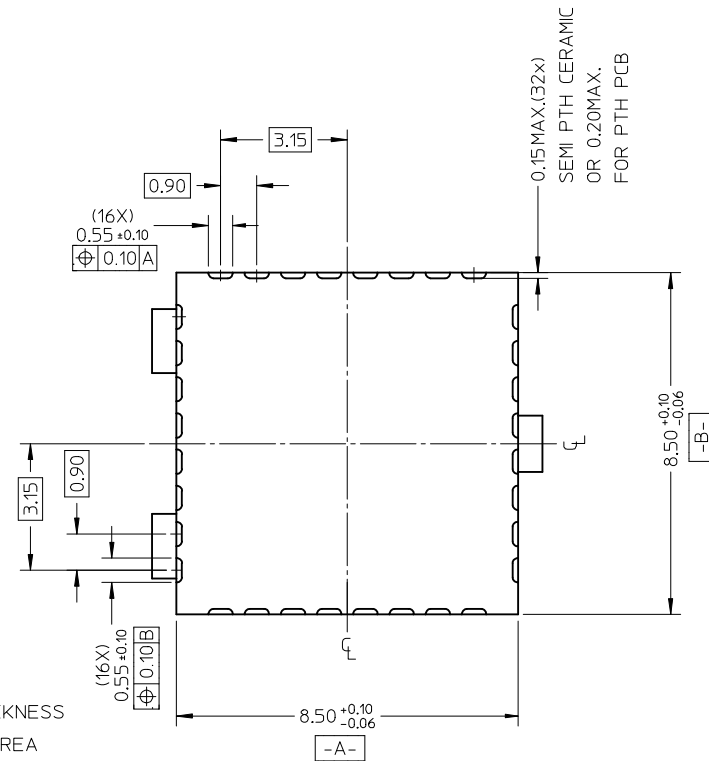
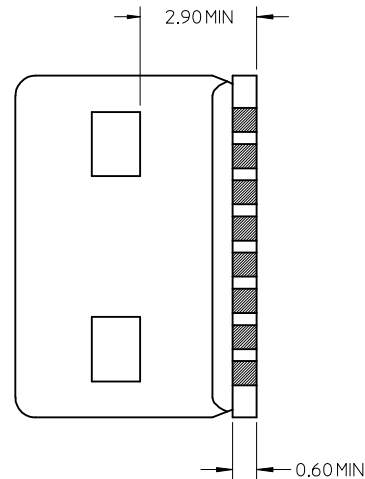
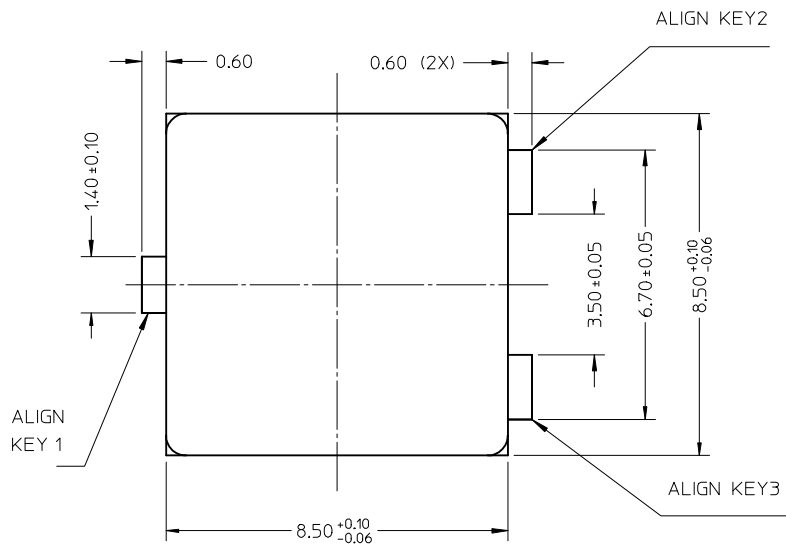
RECOMMEND PCB LAYOUT TOLERANCE ±0.05, THICKNESS: 0.70mm MIN. SCALE 5:1



**SECTION Y-Y**

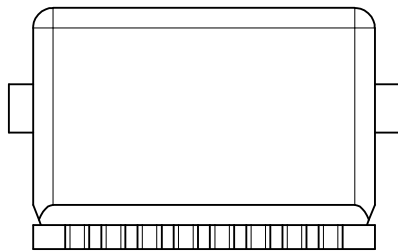
RELEASED EC NO: SH2015-0050 DRWN: JHUO 2014/07/31 CHKD: APPR: AYIN 2014/08/07 REV	QUALITY SYMBOLS $\nabla_F = 0$ $\nabla_G = 0$ $\nabla_H = 0$	GENERAL TOLERANCES (UNLESS SPECIFIED)		DIMENSION STYLE <b>MM ONLY</b>		SCALE <b>8:1</b>	DESIGN UNITS <b>METRIC</b>	THIRD ANGLE PROJECTION			
		4 PLACES ± --- ± --- 3 PLACES ± --- ± --- 2 PLACES ± 0.10 ± --- 1 PLACE ± 0.15 ± ---	mm INCH ± --- ± --- ± 0.10 ± --- ± 0.15 ± ---	DRAWN BY WJHUO	DATE 2014/03/12	TITLE <b>8.5X8.5 CAMERA SOCKET SINK TYPE CONNECTOR SELECTIVE TIN ON SHELL</b>					
		APPROVED BY AYIN		DATE 2014/03/27		<b>molex</b>					
DRAFT WHERE APPLICABLE MUST REMAIN WITHIN DIMENSIONS		MATERIAL NO. <b>1050282031</b>		DOCUMENT NO. <b>SD-105028-231</b>		SHEET NO. <b>1 OF 2</b>					
THIS DRAWING CONTAINS INFORMATION THAT IS PROPRIETARY TO MOLEX INCORPORATED AND SHOULD NOT BE USED WITHOUT WRITTEN PERMISSION											

# APPLIED CAMERA MODULE



SEMI PTH THICKNESS  
IN CONTACT AREA  
OR 0.50MIN  
PTH THICKNESS IN  
CONTACT AREA

NOTES:  
ALIGN KEYS ARE OPTION BY CUSTOMER.



<b>RELEASE</b> EC NO: SH2015-0050 DRW: WJHUO 2014/07/31 CHKD: APPR: AYIN 2014/08/07	DESCRIPTION 8.5X8.5 CAMERA SOCKET SINK TYPE CONNECTOR SELECTIVE TIN ON SHELL	QUALITY SYMBOLS $F_A=0$ $F_G=0$ $F_P=0$		GENERAL TOLERANCES (UNLESS SPECIFIED)		DIMENSION STYLE <b>MM ONLY</b>		SCALE <b>8:1</b>	DESIGN UNITS <b>METRIC</b>	THIRD ANGLE PROJECTION
		4 PLACES $\pm$ --- $\pm$ --- 3 PLACES $\pm$ --- $\pm$ --- 2 PLACES $\pm 0.10$ $\pm$ --- 1 PLACE $\pm 0.15$ $\pm$ ---		mm INCH DRAWN BY: WJHUO DATE: 2014/03/12 CHECKED BY: DATE:		APPROVED BY: AYIN DATE: 2014/03/27		TITLE <b>8.5X8.5 CAMERA SOCKET SINK TYPE CONNECTOR SELECTIVE TIN ON SHELL</b>		
		ANGULAR $\pm 3^\circ$		MATERIAL NO. <b>N/A</b>		DOCUMENT NO. <b>SD-105028-231</b>		SHEET NO. <b>2 OF 2</b>		
		DRAFT WHERE APPLICABLE MUST REMAIN WITHIN DIMENSIONS		SIZE <b>A3</b>		THIS DRAWING CONTAINS INFORMATION THAT IS PROPRIETARY TO MOLEX INCORPORATED AND SHOULD NOT BE USED WITHOUT WRITTEN PERMISSION				