



Chipsmall Limited consists of a professional team with an average of over 10 year of expertise in the distribution of electronic components. Based in Hongkong, we have already established firm and mutual-benefit business relationships with customers from,Europe,America and south Asia,supplying obsolete and hard-to-find components to meet their specific needs.

With the principle of "Quality Parts,Customers Priority,Honest Operation,and Considerate Service",our business mainly focus on the distribution of electronic components. Line cards we deal with include Microchip,ALPS,ROHM,Xilinx,Pulse,ON,Everlight and Freescale. Main products comprise IC,Modules,Potentiometer,IC Socket,Relay,Connector.Our parts cover such applications as commercial,industrial, and automotives areas.

We are looking forward to setting up business relationship with you and hope to provide you with the best service and solution. Let us make a better world for our industry!



## Contact us

Tel: +86-755-8981 8866 Fax: +86-755-8427 6832

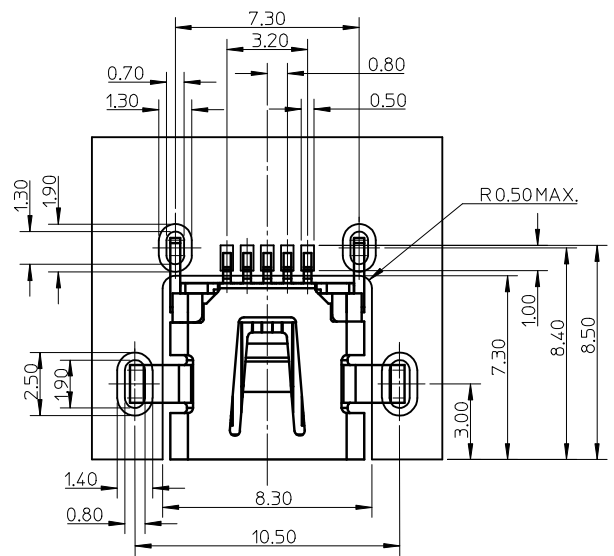
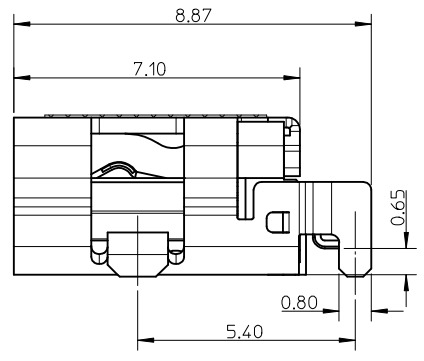
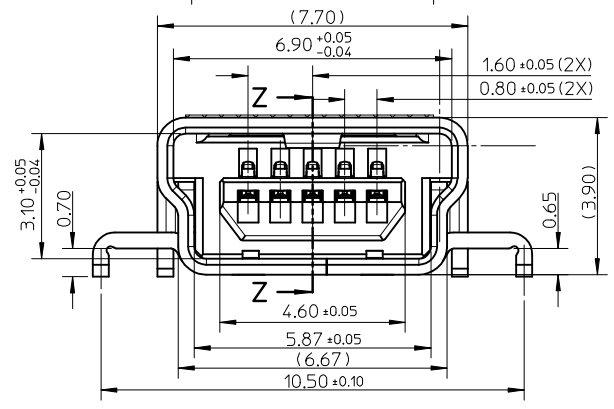
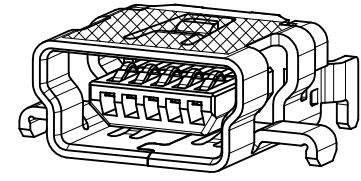
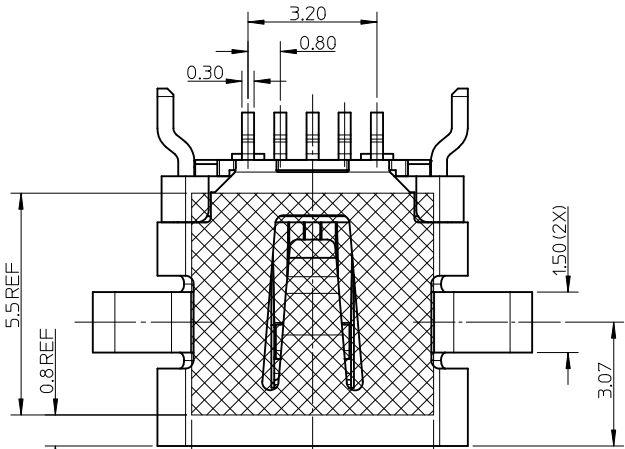
Email & Skype: info@chipsmall.com Web: www.chipsmall.com

Address: A1208, Overseas Decoration Building, #122 Zhenhua RD., Futian, Shenzhen, China

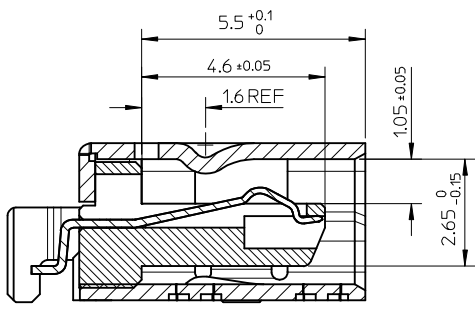


NOTE :

- MATERIAL :  
HOUSING : LCP GLASS FILLED , BLACK,UL94V-0  
TERMINAL : COPPER ALLOY THICKNESS = 0.2 MM  
SHIELD CASE : STAINLESS STEEL THICKNESS = 0.4 MM
- PLATING :  
TERMINAL:  
CONTACT AREA : GOLD 0.76 MICRON MINIMUM.  
SOLDER TAIL AREA : MATTE TIN 2.0 MICRON MINIMUM.  
UNDER PLATING : NICKEL 1.25 MICRON MINIMUM.  
SHIELD CASE :  
MATTE TIN 2.0 MICRON MINIMUM.  
UNDER PLATING : NICKEL 1.25 MICRON MINIMUM.
- COPLANARITY: 0.08 mm MAXIMUM AMONG 5 SOLDER TAILS.
- PRODUCT SPEC. : PS-67803-001,PACKING SPEC. : PK-105035-001
- COMPLIANT TO RoHS DIRECTIVE 2002/95/EC AND ELV DIRECTIVE 2000/53/EC.



RECOMMEND PCB LAYOUT  
GENERAL TOLERANCE : ±0.05



SECTION Z-Z

REVISE EC NO: SHZ010-0105 DRWN: XJSONG CHKD: APPR: RZHANG 2009/09/18 2009/09/22 2009/10/14	QUALITY SYMBOLS ▽=0 ◻=0	GENERAL TOLERANCES (UNLESS SPECIFIED)		DIMENSION STYLE MM ONLY		SCALE 1:1	DESIGN UNITS METRIC	THIRD ANGLE PROJECTION			
		4 PLACES ± --- ± ---	3 PLACES ± --- ± ---	2 PLACES ± 0.25 ± ---	1 PLACE ± 0.25 ± ---	ANGULAR ± 3 °	DRAWN BY XJSONG	DATE 2007/12/07	TITLE MINI USB B RECEPTACLE MIDDLE MOUNT		
		DRAFT WHERE APPLICABLE MUST REMAIN WITHIN DIMENSIONS					CHECKED BY JTIAN	DATE 2007/12/07	MOLEX INCORPORATED		
							APPROVED BY HWWANG	DATE 2007/12/07	MATERIAL NO. 105035-0001	DOCUMENT NO. SD-105035-001	SHEET NO. 1 OF 1