



Chipsmall Limited consists of a professional team with an average of over 10 year of expertise in the distribution of electronic components. Based in Hongkong, we have already established firm and mutual-benefit business relationships with customers from,Europe,America and south Asia,supplying obsolete and hard-to-find components to meet their specific needs.

With the principle of “Quality Parts,Customers Priority,Honest Operation,and Considerate Service”,our business mainly focus on the distribution of electronic components. Line cards we deal with include Microchip,ALPS,ROHM,Xilinx,Pulse,ON,Everlight and Freescale. Main products comprise IC,Modules,Potentiometer,IC Socket,Relay,Connector.Our parts cover such applications as commercial,industrial, and automotives areas.

We are looking forward to setting up business relationship with you and hope to provide you with the best service and solution. Let us make a better world for our industry!



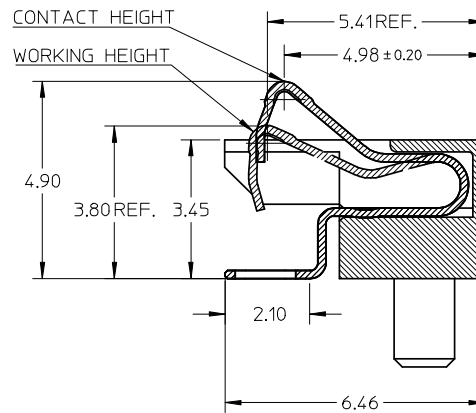
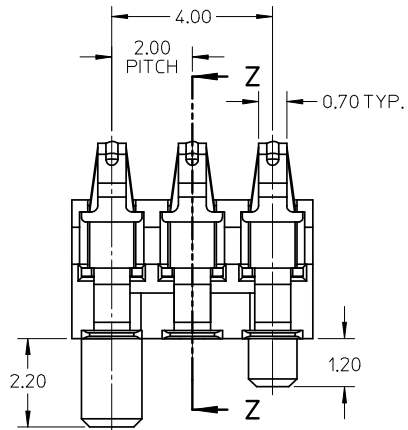
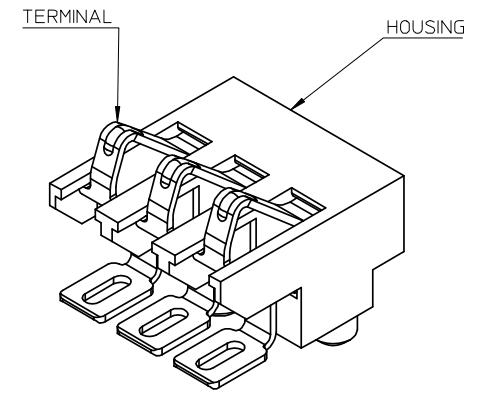
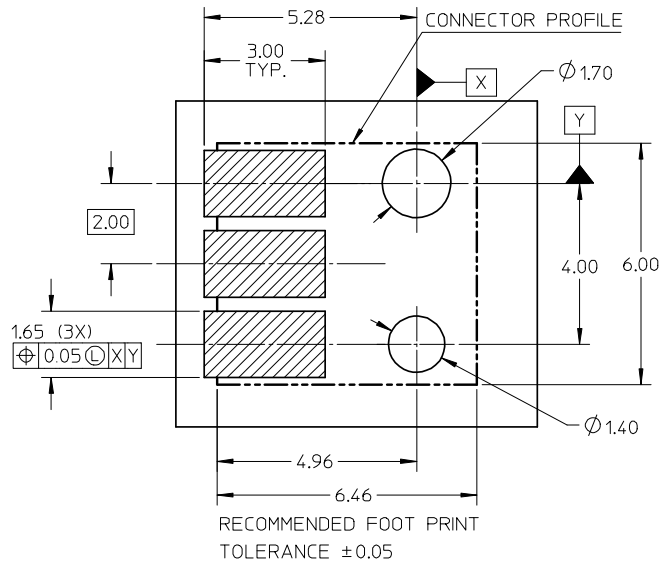
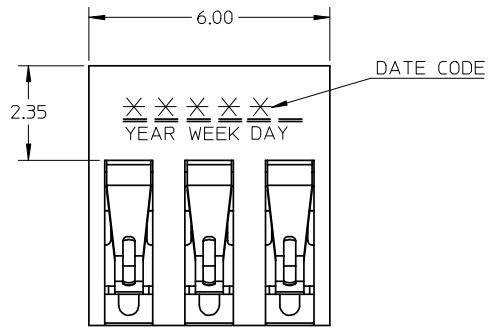
## Contact us

Tel: +86-755-8981 8866 Fax: +86-755-8427 6832

Email & Skype: info@chipsmall.com Web: www.chipsmall.com

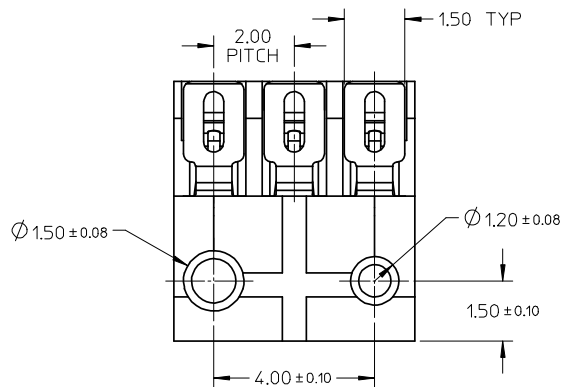
Address: A1208, Overseas Decoration Building, #122 Zhenhua RD., Futian, Shenzhen, China





SECTION Z-Z

- NOTE:
- MATERIAL:  
HOUSING: HIGH TEMPERATURE THERMAL PLASTIC, COLOR: BLACK.  
TERMINAL: COPPER ALLOY, THICKNESS 0.20MM.
  - FINISH:  
CONTACT AREA: 0.75 MICRON GOLD MIN OVER 1.25 MICRON NICKEL MIN.  
SOLDER AREA: GOLD FLASH OVER 1.25 MICRON NICKEL MIN.  
REST AREA: 1.25 MICRON NICKEL MIN.
  - COPLANARITY: 0.1 MAX AMONG THESE SOLDER TAILS.
  - PRODUCT SPECIFICATION: PS-105040-001



RELEASED EC NO: SH2008-0623 DRWN: YWANG91 CHKD: YLZHU APPR: HWANG 2008/06/06 2008/06/06 2008/06/10	QUALITY SYMBOLS ▽=0 ◻=0	GENERAL TOLERANCES (UNLESS SPECIFIED) mm    INCH 4 PLACES ± --- ± --- 3 PLACES ± --- ± --- 2 PLACES ± 0.15 ± --- 1 PLACE ± 0.2 ± --- ANGULAR ± 2 °	DIMENSION STYLE <b>MM ONLY</b> DRAWN BY: YWANG    DATE: 2008/03/12 CHECKED BY: YLZHU    DATE: 2008/03/12 APPROVED BY: HWANG    DATE: 2008/03/12	SCALE <b>8:1</b>	DESIGN UNITS <b>METRIC</b>	THIRD ANGLE PROJECTION	
	DRAFT WHERE APPLICABLE MUST REMAIN WITHIN DIMENSIONS			MATERIAL NO. <b>1050400001</b>	TITLE <b>2.0MM PITCH 3 CIRCUITS BATTERY CONNECTOR</b>	MOLEX INCORPORATED	SHEET NO. <b>1 OF 1</b>
				SIZE <b>A3</b>	THIS DRAWING CONTAINS INFORMATION THAT IS PROPRIETARY TO MOLEX INCORPORATED AND SHOULD NOT BE USED WITHOUT WRITTEN PERMISSION		
				DOCUMENT NO. <b>SD-105040-001</b>			