



Chipsmall Limited consists of a professional team with an average of over 10 year of expertise in the distribution of electronic components. Based in Hongkong, we have already established firm and mutual-benefit business relationships with customers from,Europe,America and south Asia,supplying obsolete and hard-to-find components to meet their specific needs.

With the principle of "Quality Parts,Customers Priority,Honest Operation,and Considerate Service",our business mainly focus on the distribution of electronic components. Line cards we deal with include Microchip,ALPS,ROHM,Xilinx,Pulse,ON,Everlight and Freescale. Main products comprise IC,Modules,Potentiometer,IC Socket,Relay,Connector.Our parts cover such applications as commercial,industrial, and automotives areas.

We are looking forward to setting up business relationship with you and hope to provide you with the best service and solution. Let us make a better world for our industry!



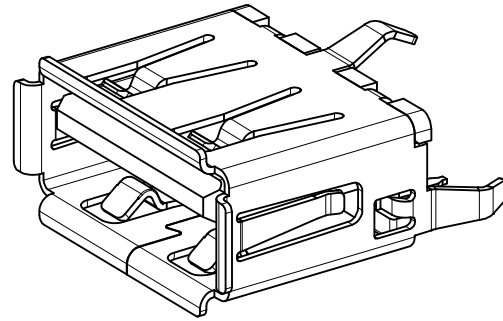
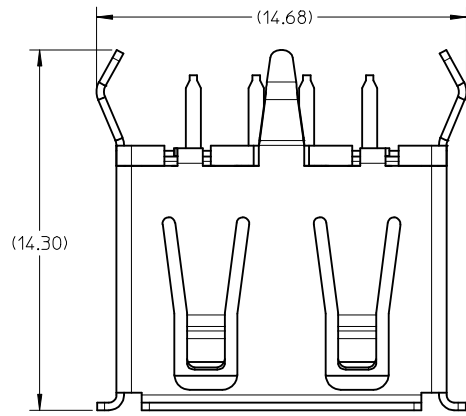
## Contact us

Tel: +86-755-8981 8866 Fax: +86-755-8427 6832

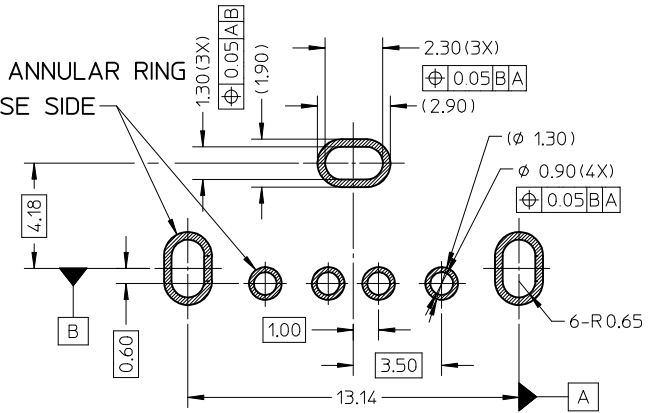
Email & Skype: info@chipsmall.com Web: www.chipsmall.com

Address: A1208, Overseas Decoration Building, #122 Zhenhua RD., Futian, Shenzhen, China





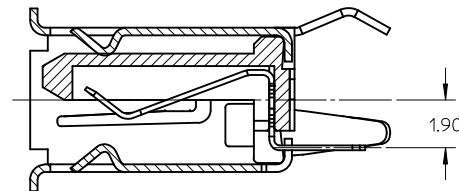
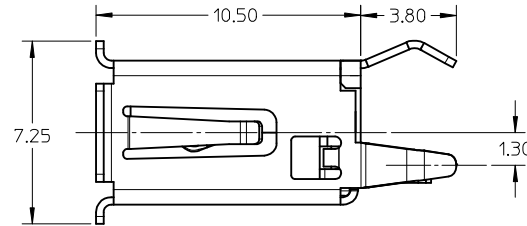
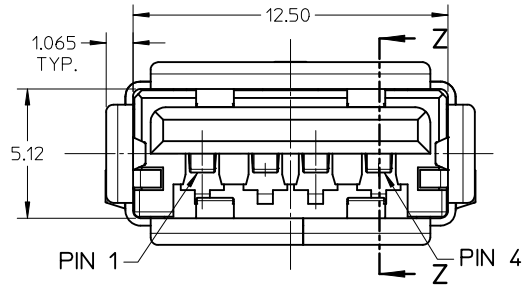
ONLY REQUESTED ANNULAR RING  
ON THE REVERSE SIDE



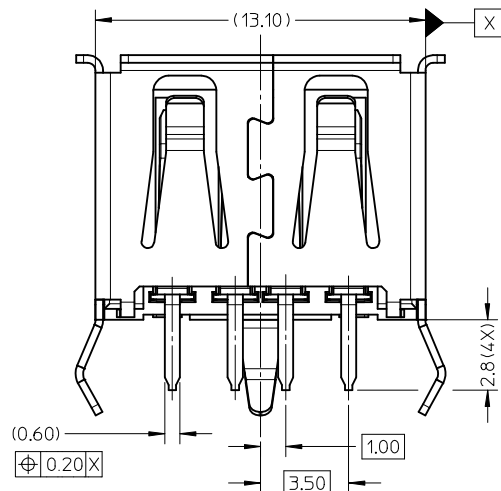
COMPONENT MOUNT SIDE  
PWB THICKNESS 1.60MM  
(DEFAULT TOLERANCE ±0.05MM)

NOTE :

- MATERIAL :  
HOUSING : THERMOPLASTIC 30% GLASS FILLED , BLACK,UL94V-0  
TERMINAL : COPPER ALLOY THICKNESS 0.20mm.  
SHELL : STAINLESS STEEL THICKNESS 0.30mm.
- PLATING :  
TERMINAL:  
CONTACT AREA : GOLD 0.76 MICROMETER MIN.  
SOLDERING AREA : MATTE TIN 3.8 MICROMETER MIN.  
UNDERPLATING : NICKEL 1.27 MICROMETER MIN.  
SHELL:  
OVERALL SOLDERING NICKEL 1.27 MICROMETER MIN.
- PRODUCT CHARACTERS SPEC: PER PS-105057-001.
- PACKAGE INFORMATION: PER PK-105057-001.
- THE PART COMPLIANT TO RoHS DIRECTIVE 2002/95/EC AND ELV 2000/53/EC.



SECTION Z-Z



<b>NEW RELEASE</b> EC NO: SHZ009-0472 DRW:RZHANG 2009/01/20 CHKD: 2009/01/21 APPR:HWANG 2009/02/25	QUALITY SYMBOLS ▽=0 ◻=0	GENERAL TOLERANCES (UNLESS SPECIFIED)		DIMENSION STYLE <b>MM ONLY</b>		SCALE <b>5:1</b>	DESIGN UNITS <b>METRIC</b>	THIRD ANGLE PROJECTION			
		4 PLACES ± --- ± ---	3 PLACES ± --- ± ---	DRAWN BY DAVID HU	DATE 2008/06/05	TITLE <b>VERTICAL USB TYPE LEAD FREE</b>					
		2 PLACES ± 0.25 ± ---	1 PLACE ± 0.25 ± ---	CHECKED BY ROST ZHANG	DATE 2008/06/05	MOLEX INCORPORATED					
		ANGULAR ± 3 °		APPROVED BY HARVEY	DATE 2008/06/05	MATERIAL NO. <b>1050570001</b>	DOCUMENT NO. <b>SD-105057-001</b>	SHEET NO. <b>1 OF 1</b>			
DRAFT WHERE APPLICABLE MUST REMAIN WITHIN DIMENSIONS		SIZE <b>A3</b>		THIS DRAWING CONTAINS INFORMATION THAT IS PROPRIETARY TO MOLEX INCORPORATED AND SHOULD NOT BE USED WITHOUT WRITTEN PERMISSION							