



Chipsmall Limited consists of a professional team with an average of over 10 year of expertise in the distribution of electronic components. Based in Hongkong, we have already established firm and mutual-benefit business relationships with customers from,Europe,America and south Asia,supplying obsolete and hard-to-find components to meet their specific needs.

With the principle of “Quality Parts,Customers Priority,Honest Operation,and Considerate Service”,our business mainly focus on the distribution of electronic components. Line cards we deal with include Microchip,ALPS,ROHM,Xilinx,Pulse,ON,Everlight and Freescale. Main products comprise IC,Modules,Potentiometer,IC Socket,Relay,Connector.Our parts cover such applications as commercial,industrial, and automotives areas.

We are looking forward to setting up business relationship with you and hope to provide you with the best service and solution. Let us make a better world for our industry!



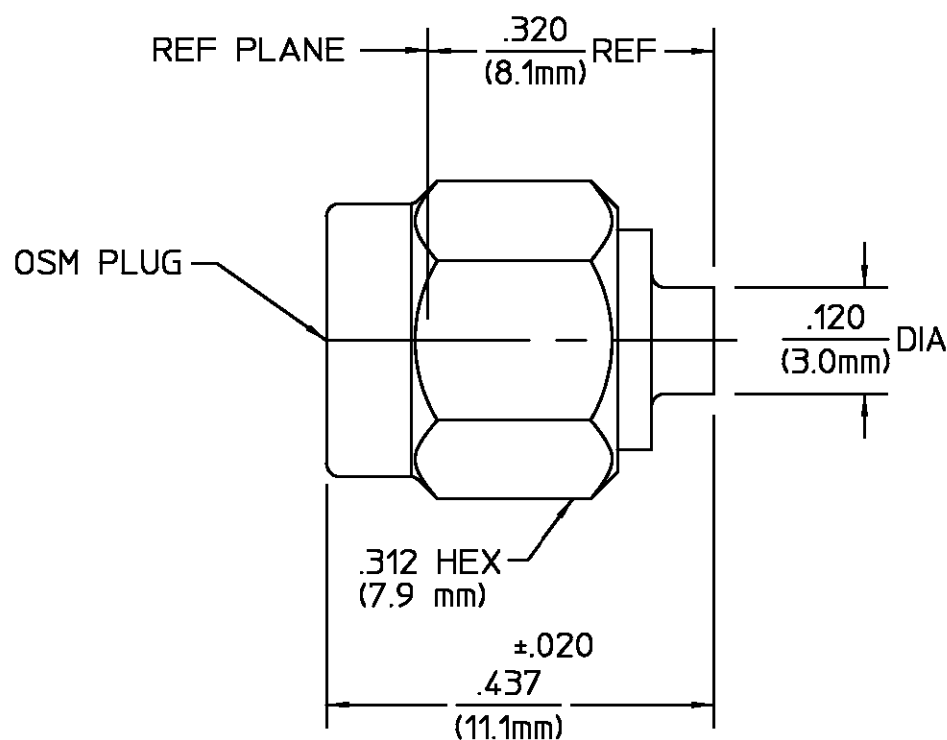
Contact us

Tel: +86-755-8981 8866 Fax: +86-755-8427 6832

Email & Skype: info@chipsmall.com Web: www.chipsmall.com

Address: A1208, Overseas Decoration Building, #122 Zhenhua RD., Futian, Shenzhen, China





DESIGNED FOR USE WITH .085 DIA S.R. CABLE	
CABLE ENTRY DIAMETER MINIMUM	
CONTACT	.0215
HOUSING	.088

REVISIONS			
REV	DESCRIPTION	DATE	APPROVED
01 ₁	REDRAWN ON CAD ECN 92-0009	1/6/94	<i>[Signature]</i>

CAPTURED CENTER CONTACT

HOUSING	STAINLESS STEEL PER ASTM-A484 AND ASTM-A582, TYPE 303	GOLD PLATE PER MIL-G-45204 OVER NICKEL PLATE PER QQ-N-290
COUPLING NUT	STAINLESS STEEL PER ASTM-A484 AND ASTM-A582, TYPE 303	PASSIVATE PER ASTM-A380
DIELECTRIC	TFE FLUOROCARBON PER ASTM-D-1457	N/A
CENTER CONTACT	BERYLLIUM COPPER PER ASTM B 196, ALLOY C17300, CONDITION H	GOLD PLATE PER MIL-G-45204 OVER NICKEL PLATE PER QQ-N-290
RETAINING RING	BERYLLIUM COPPER PER ASTM B 194, ALLOY C17200, CONDITION H	N/A
GASKET	SILICONE RUBBER PER ZZ-R-765	N/A

ELECTRICAL	MECHANICAL	ENVIRONMENTAL
Nominal Impedance (Ohms) <u>50</u>	Interface Dimensions MIL-STD-348A	Temperature Rating <u>-65°C to 105°C</u>
Frequency Range (GHz) DC to <u>18.0</u>	Fig. <u>310.1</u>	Vibration MIL-STD-202, Method 204, Condition D
Volt Rating (VRMS MAX) @ Sea Level <u>335</u>	Recommended Mating Torque <u>7 to 10 in-LBs</u>	Shock MIL-STD-202, Method 213, Condition I
VSWR <u>1.07 + .01f(GHz)</u>	Mating Characteristics:	Thermal Shock MIL-STD-202, Method 107, Condition B,
Insertion Loss (dB MAX) <u>.03 √f(GHz)</u>	Insertion (MAX Lbs) <u>N/A</u>	Except High Temp <u>115°C</u>
RF Leakage (dB MIN) <u>-[90-f(GHz)]</u>	Withdrawal (MIN Oz) <u>N/A</u>	Moisture Resistance MIL-STD-202, Method 106
Corona, 70,000 Ft (VRMS MIN) <u>250</u>	Force to Engage and Disengage (In-Lbs MAX) <u>2.0</u>	Corrosion - MIL-STD-202, Method 101, Condition B, 5% salt spray
Dielectric Withstanding Voltage (VRMS MIN) @ Sea Level <u>1000</u>	Center Contact Captivation	
Contact Resistance (Milliohms MAX)	Axial (Lbs) <u>6.0</u>	
Center Contact <u>3.0</u>	Radial (In-Oz) <u>N/A</u>	
Outer Contact <u>2.0</u>	Cable Retention	
Cable to Housing <u>0.5</u>	Axial Force (Lbs) <u>30</u>	
RF High Potential @ Sea Level (VRMS MIN @ 5 MHz) <u>670</u>	Torque (In-Oz) <u>16</u>	
I.R.(Megohms MIN) <u>5,000</u>	Weight (Grams) <u>T.B.D.</u>	

COMPONENT	MATERIAL	FINISH
UNLESS OTHERWISE SPECIFIED DIMENSIONS ARE IN INCHES TOLERANCE ON		
FRAC. DEC. ANGLES ± 1/64 ±.005 ± °		
DRAWN BY ED HOYLE DATE 3/1/88		
CHECKED BY BAR 3/3/88		
APPD BY BAR 3/3/88		
<div style="display: flex; justify-content: space-between;"> <div> <p>USE ASS'Y PROCEDURE</p> <p>408-04970 NO. AP. (20-701)</p> </div> <div style="text-align: center;"> <p>AMP</p> </div> <div> <p>AMP Incorporated 140 Fourth Avenue Waltham, MA 02451-7599</p> </div> </div>		
TITLE OSM STRAIGHT CABLE PLUG DIRECT SOLDER ATTACHMENT		
SIZE B	CODE IDENT NO. 26805	2001-7585-02
SCALE 5:1		REV 01 ₁
		SHEET 1 OF 1

CUSTOMER DRAWING

AMP PART # 1050735-1
SHEET 1 OF 1 REV A