



Chipsmall Limited consists of a professional team with an average of over 10 year of expertise in the distribution of electronic components. Based in Hongkong, we have already established firm and mutual-benefit business relationships with customers from,Europe,America and south Asia,supplying obsolete and hard-to-find components to meet their specific needs.

With the principle of “Quality Parts,Customers Priority,Honest Operation,and Considerate Service”,our business mainly focus on the distribution of electronic components. Line cards we deal with include Microchip,ALPS,ROHM,Xilinx,Pulse,ON,Everlight and Freescale. Main products comprise IC,Modules,Potentiometer,IC Socket,Relay,Connector.Our parts cover such applications as commercial,industrial, and automotives areas.

We are looking forward to setting up business relationship with you and hope to provide you with the best service and solution. Let us make a better world for our industry!



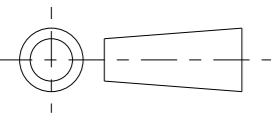
## Contact us

Tel: +86-755-8981 8866 Fax: +86-755-8427 6832

Email & Skype: info@chipsmall.com Web: www.chipsmall.com

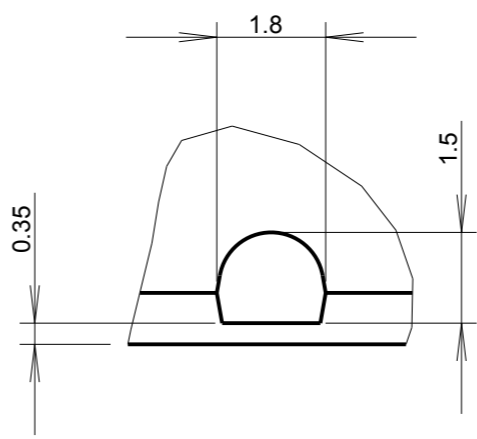
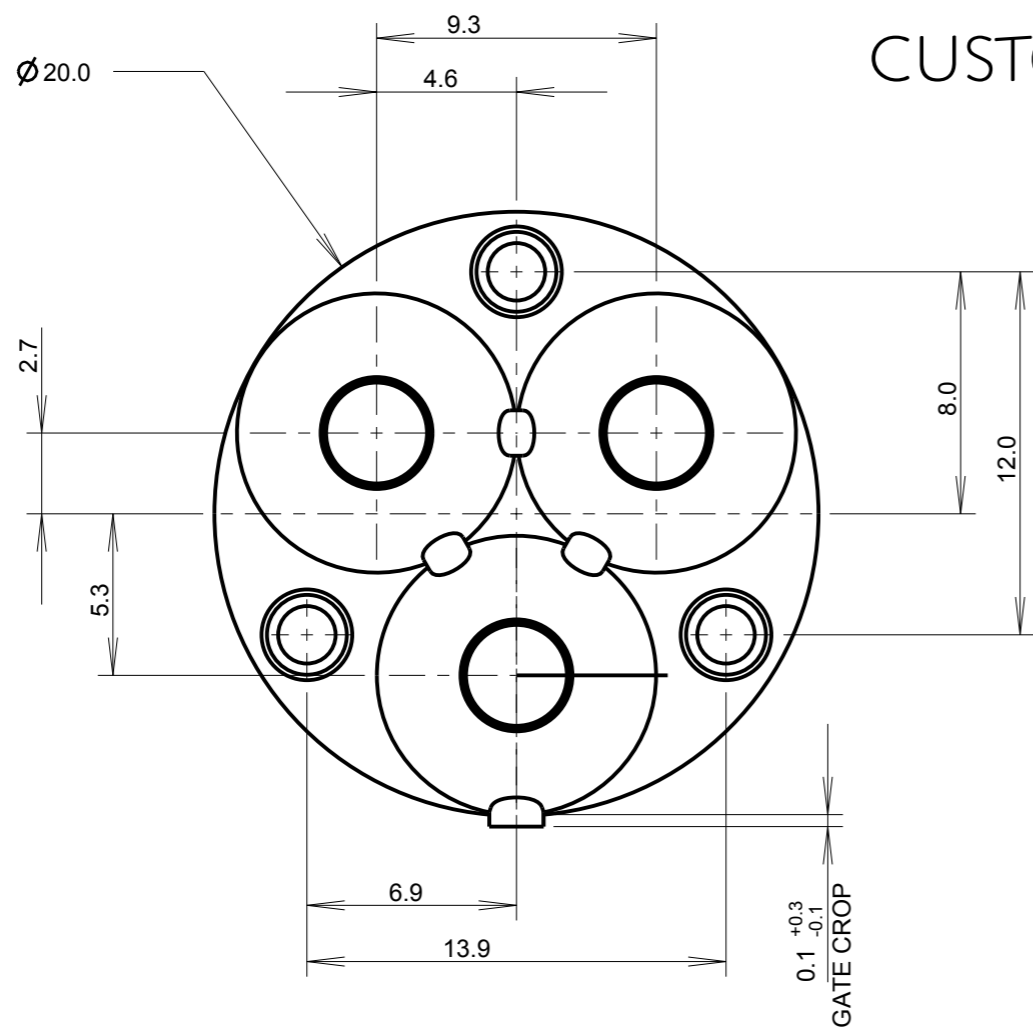
Address: A1208, Overseas Decoration Building, #122 Zhenhua RD., Futian, Shenzhen, China



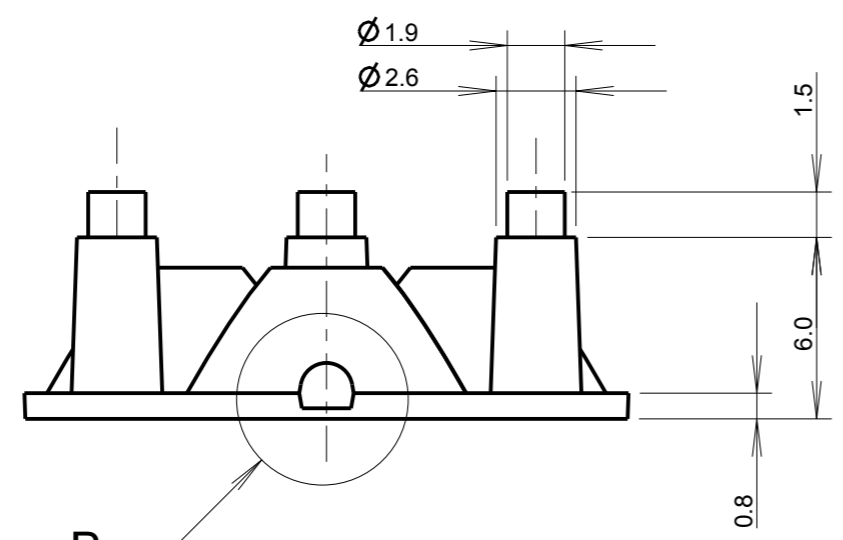


©2011 CTP-COIL  
ALL DIMENSIONS IN mm

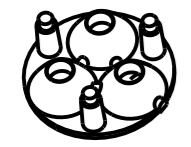
# CUSTOMER DRAWING



DETAIL B  
SCALE 8:1



SEE DETAIL B



SCALE 1:1

MATERIAL - UV STABILISED CLEAR POLYCARBONATE

ISS.	DATE	E.C.N.	DESCRIPTION
1	06-May-08		FIRST ISSUE
2	18-Jun-08		GATE SIZE INCREASED
3	12-Nov-08	10/08/1233	LEG PIN LENGTH REDUCED TO 15MM
4	10-Mar-11	04/10/1270	R&K VALUES ALTERED
4A	10-Aug-11	08/11/1306	Gate tolerance updated



**CARCLO TECHNICAL PLASTICS (SLOUGH)**  
103 BUCKINGHAM AVE, SLOUGH  
SL1 4PF, ENGLAND  
TEL: +44 1753 575011 FAX: +44 1753 811359  
email: design@carclo-optics.com

GENERAL TOLERANCES (UNLESS STATED)

LINEAR	ANGULAR
X +/- 0.25	X +/- 1°
X.X +/- 0.1	X.X +/- 0.5°
X.XX +/- 0.05	X.XX +/- 0.1°

CUSTOMER  
**CARCLO**

TITLE  
10mm TRIPLE OPTIC MEDIUM FROSTED

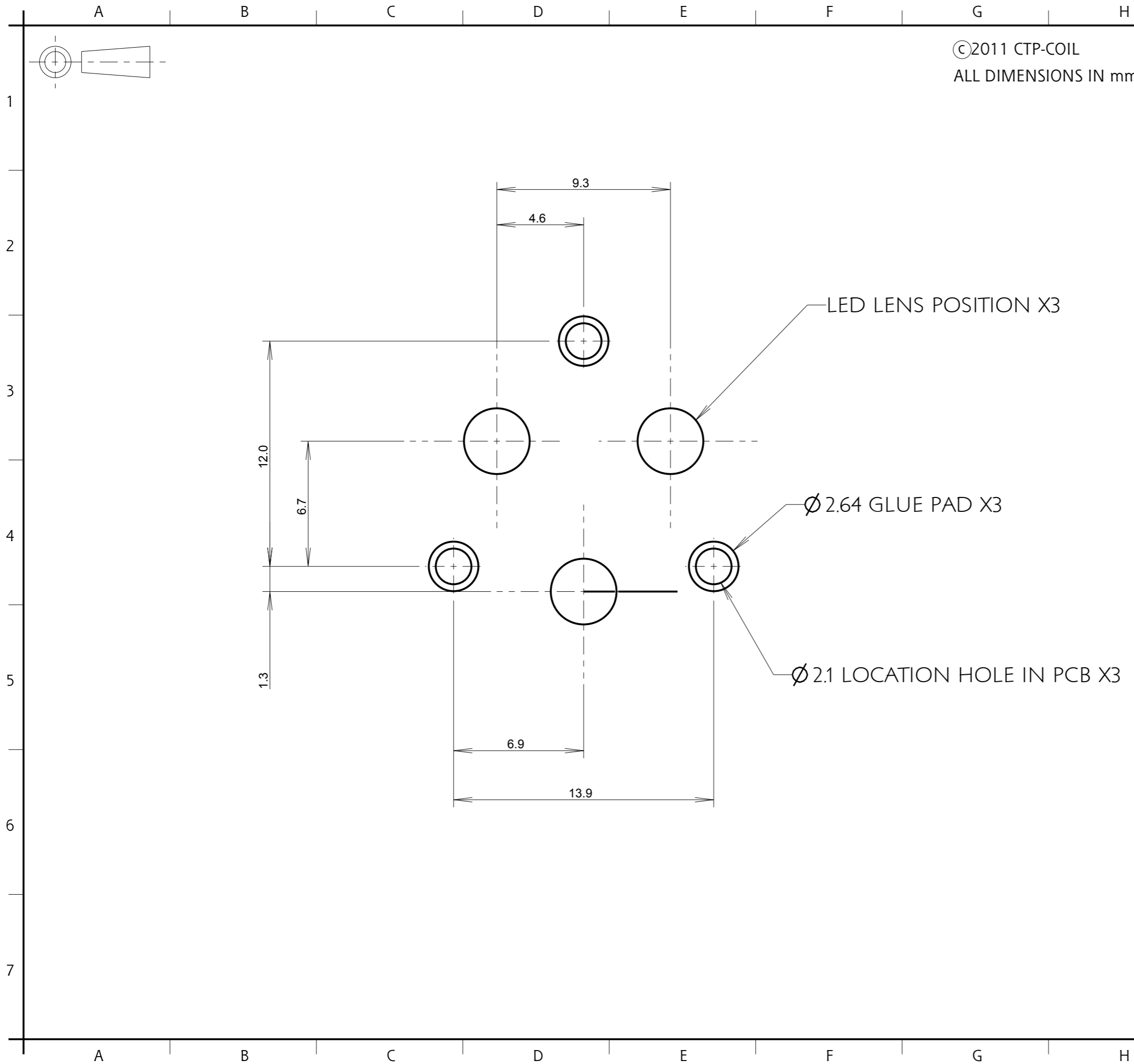
DRAWN MK DATE 06-May-11

CHK'D PW DATE 10-Aug-11

APP'D BB DATE 10-Aug-11

SCALE 4:1 COIL PART No. 10508

SIZE A3 COIL DRG. No. 60523 SHEET 2 OF 3



ISS.	DATE	E.C.N.	DESCRIPTION
1	06-May-08		FIRST ISSUE
2	18-Jun-08		GATE SIZE INCREASED
3	12-Nov-08	10/08/1233	LEG PIN LENGTH REDUCED TO 1.5MM
4	10-Mar-11	04/10/1270	R&K VALUES ALTERED
4A	10-Aug-11	08/11/1306	Gate tolerance updated

  
 technical plastics  
**CARCLO TECHNICAL PLASTICS (SLOUGH)**  
 103 BUCKINGHAM AVE, SLOUGH  
 SL1 4PF, ENGLAND  
 TEL: +44 1753 575011 FAX: +44 1753 811359  
 email: design@carclo-optics.com

GENERAL TOLERANCES (UNLESS STATED)

LINEAR		ANGULAR	
X	+/- 0.25	X	+/- 1°
X.X	+/- 0.1	X.X	+/- 0.5°
X.XX	+/- 0.05	X.XX	+/- 0.1°

CUSTOMER	CARCLO
----------	--------

TITLE	10mm TRIPLE OPTIC MEDIUM FROSTED
-------	----------------------------------

DRAWN	MK	DATE	06-May-08
-------	----	------	-----------

CHK'D	PW	DATE	10-Aug-11
-------	----	------	-----------

APP'D	BB	DATE	10-Aug-11
-------	----	------	-----------

SCALE	5:1	COIL PART No.	10508
-------	-----	---------------	-------

SIZE	A3	COIL DRG. No.	60523	SHEET	3 OF 3
------	----	---------------	-------	-------	--------