



Chipsmall Limited consists of a professional team with an average of over 10 year of expertise in the distribution of electronic components. Based in Hongkong, we have already established firm and mutual-benefit business relationships with customers from,Europe,America and south Asia,supplying obsolete and hard-to-find components to meet their specific needs.

With the principle of “Quality Parts,Customers Priority,Honest Operation,and Considerate Service”,our business mainly focus on the distribution of electronic components. Line cards we deal with include Microchip,ALPS,ROHM,Xilinx,Pulse,ON,Everlight and Freescale. Main products comprise IC,Modules,Potentiometer,IC Socket,Relay,Connector.Our parts cover such applications as commercial,industrial, and automotives areas.

We are looking forward to setting up business relationship with you and hope to provide you with the best service and solution. Let us make a better world for our industry!



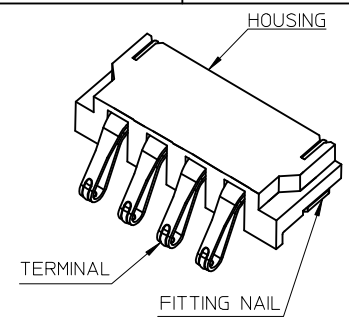
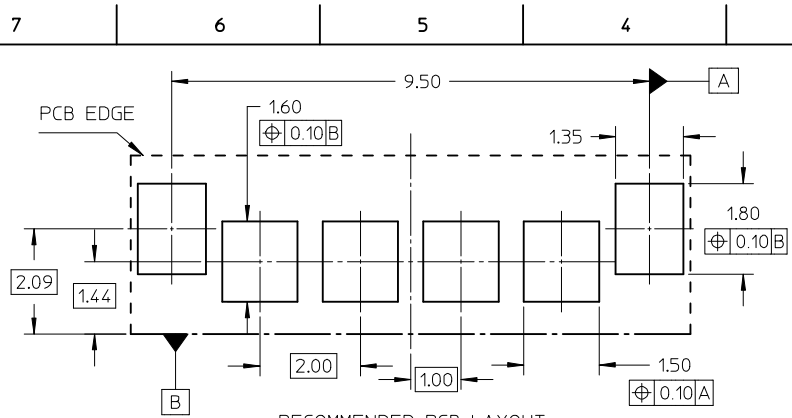
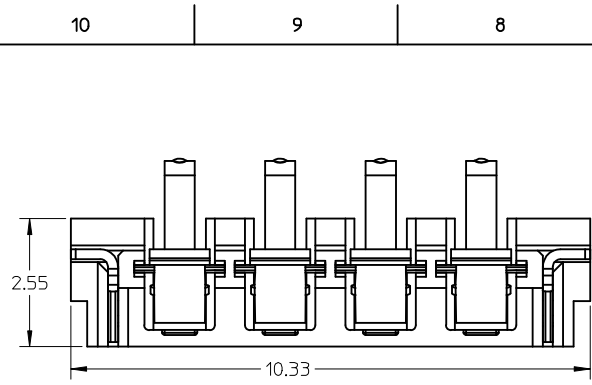
## Contact us

Tel: +86-755-8981 8866 Fax: +86-755-8427 6832

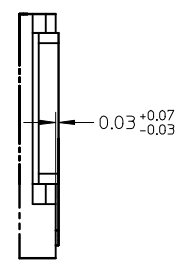
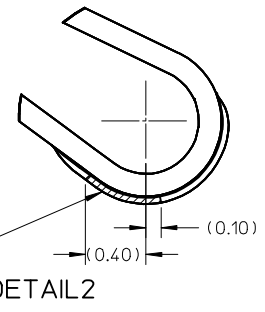
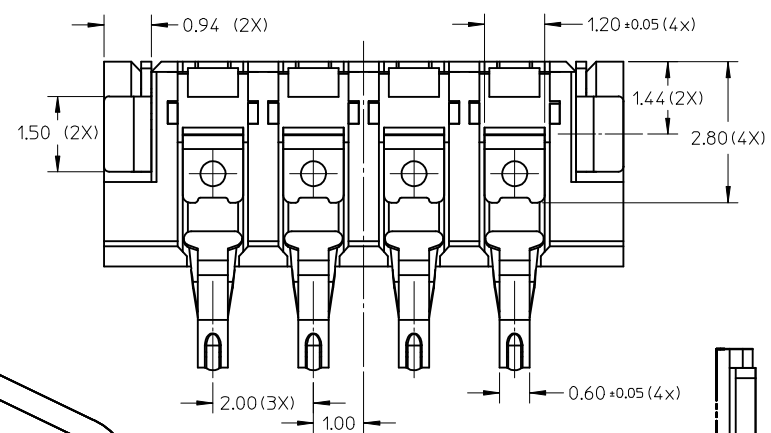
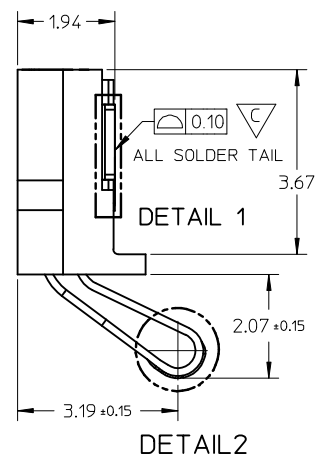
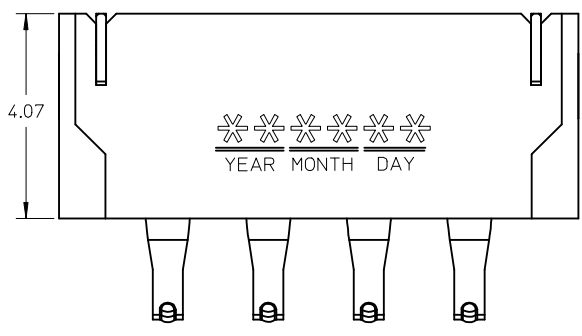
Email & Skype: info@chipsmall.com Web: www.chipsmall.com

Address: A1208, Overseas Decoration Building, #122 Zhenhua RD., Futian, Shenzhen, China





RECOMMENDED PCB LAYOUT  
 DEFAULT TOLERANCE : ±0.05MM



DETAIL 1  
 SCALE 20:1

- NOTES:
- MATERIAL:  
 TERMINAL : BERYLLIUM COPPER  
 HOUSING : HIGH TEMPERATURE THERMAL PLASTIC  
 FITTING NAIL : BRASS
  - FINISH:  
 TERMINAL : 50µ Min NICKEL UNDER PLATED  
 30µ Min GOLD PLATING ON CONTACT AREA  
 GOLD FLASH ON SOLDERING AREA  
 FITTING NAIL : 100µ Min TIN ALLOY OVER 50µ Min NICKEL OVERALL
  - PRODUCT SPECIFICATION : PS-105080-001
  - PACKAGEING SPECIFICATION : PK-47618-001
  - NORMAL FORCE SPEC:  
 COMPRESS 1.37MM, READING DATA AT LOADING CURVE  
 45+/-25gf AT 0.63mm DEFLECTION  
 70+/-25gf AT 1.0mm DEFLECTION  
 210gf MAX AT 1.37mm DEFLECTION
  - COMPLIANT TO RoHS DIRECTIVE 2002/95/EC  
 AND ELV DIRECTIVE 2000/53/EC

NEW RELEASE EC NO: SH2009-0629 DRWN: YPWU CHKD: APPR: HWANG	2009/04/10 2009/04/13 2009/04/27	DESCRIPTION REV	QUALITY SYMBOLS	GENERAL TOLERANCES (UNLESS SPECIFIED)		DIMENSION STYLE MM ONLY		SCALE 10:1	DESIGN UNITS METRIC	THIRD ANGLE PROJECTION		
			▽=0 ∇=2	mm	INCH	DRAWN BY JYANG13	DATE 2008/12/02	TITLE SALES DRAWING 4 PIN 2.0MM PITCH BATTERY CONNECTOR				
				4 PLACES ± --- ± ---	3 PLACES ± --- ± ---	CHECKED BY YLZHU02	DATE 2008/12/02	APPROVED BY DATE 2008/12/02				
				2 PLACES ± 0.13 ± ---	1 PLACE ± --- ± ---	APPROVED BY DATE 2008/12/02		MATERIAL NO. 1050801001				
DRAFT WHERE APPLICABLE MUST REMAIN WITHIN DIMENSIONS				ANGULAR ± 3 °		MOLEX INCORPORATED		DOCUMENT NO. SD-105080-001	SHEET NO. 1 OF 1			
THIS DRAWING CONTAINS INFORMATION THAT IS PROPRIETARY TO MOLEX INCORPORATED AND SHOULD NOT BE USED WITHOUT WRITTEN PERMISSION												