



Chipsmall Limited consists of a professional team with an average of over 10 year of expertise in the distribution of electronic components. Based in Hongkong, we have already established firm and mutual-benefit business relationships with customers from,Europe,America and south Asia,supplying obsolete and hard-to-find components to meet their specific needs.

With the principle of “Quality Parts,Customers Priority,Honest Operation,and Considerate Service”,our business mainly focus on the distribution of electronic components. Line cards we deal with include Microchip,ALPS,ROHM,Xilinx,Pulse,ON,Everlight and Freescale. Main products comprise IC,Modules,Potentiometer,IC Socket,Relay,Connector.Our parts cover such applications as commercial,industrial, and automotives areas.

We are looking forward to setting up business relationship with you and hope to provide you with the best service and solution. Let us make a better world for our industry!



Contact us

Tel: +86-755-8981 8866 Fax: +86-755-8427 6832

Email & Skype: info@chipsmall.com Web: www.chipsmall.com

Address: A1208, Overseas Decoration Building, #122 Zhenhua RD., Futian, Shenzhen, China

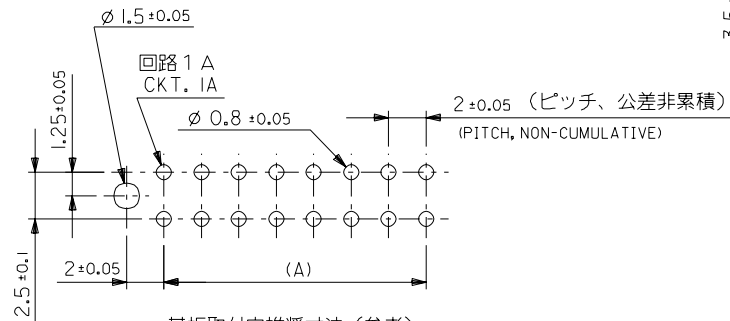
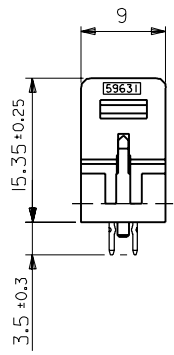
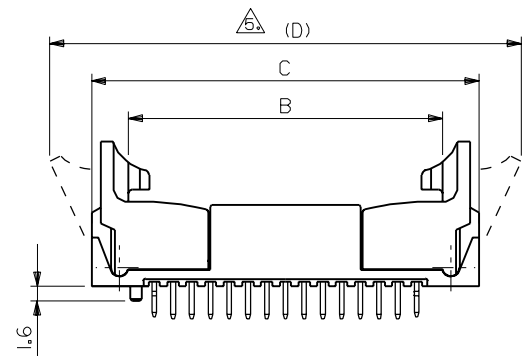
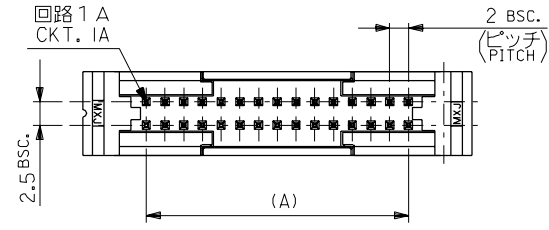


ENG. NO. SD-53314-**-15

EDP NO. DIMENSIONS IN METRIC DO NOT SCALE DRAWING

注記
NOTES

- 材料: ハウジング: ガラス入りポリエステル
MATERIALS: HOUSING : G.F. POLYESTER, UL94V-0, GRAY
ピン: 黄銅
PIN : BRASS (0.5mm,SQUARE)
- 仕上げ: Sn-Pbメッキ
PLATING : TIN-LEAD : 2-3 μm
銅下地メッキ: 1-2 μm
OVER COPPER :
- 適合メスコネクター: 51089-***5, 52478-**-15,
MATING CONNECTORS :
- 推奨基板厚: RECOMMENDED PCB THICKNESS : t=1.6mm
⚠ イジェクターが開いている状態。
EJECTORS IN OPEN POSITION



基板取付穴推奨寸法 (参考)
RECOMMENDED PCB HOLE DIM.(REF.)

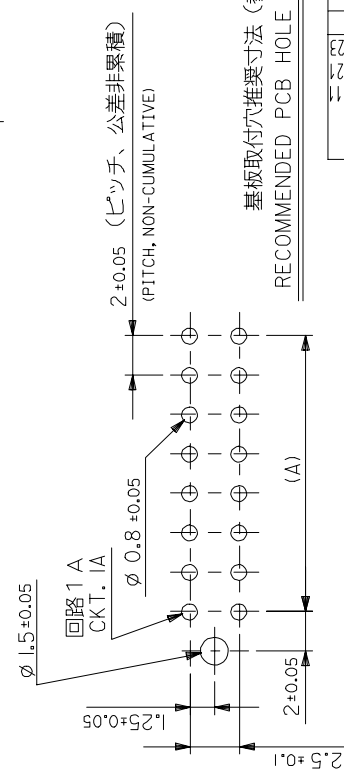
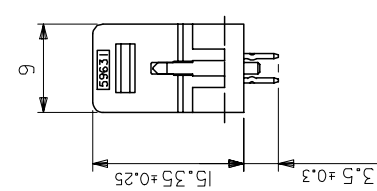
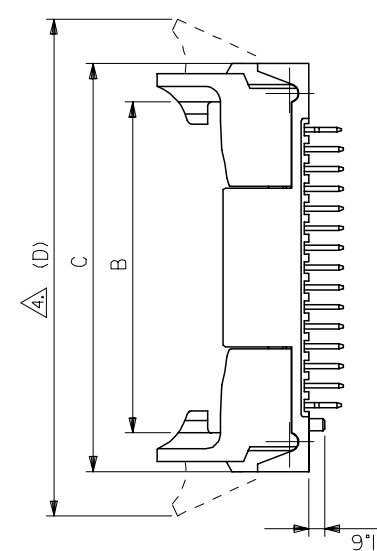
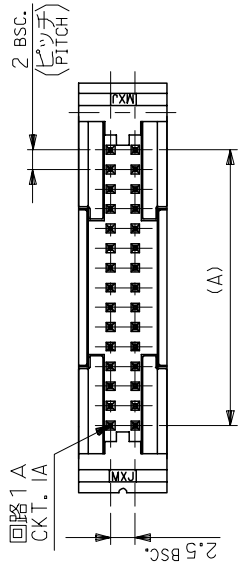
80.4	71.4	63.6	58	53314-6015	60
70.4	61.4	53.6	48	⚡ -5015	50
60.4	51.4	43.6	38	⚡ -4015	40
54.4	45.4	37.6	32	⚡ -3415	34
50.4	41.4	33.6	28	53314-3015	30
(D)	C	B	(A)	ENG. NO.	CKT.

角度 ANGLE	±3°	2	RELEASED	GMS	H.I	92/2/21
30以上 OVER	+0.3	1	REVISED	GMS	H.I	91/7/30
10以上 30未満 UNDER	+0.25	0	PROPOSED	GMS	H.I	91/3/5
10未満 UNDER	+0.2			GMS	H.I	90/11/6
一般公差 GENERAL TOLERANCES						

材料 MATERIAL	注記参照 SEE NOTES
仕上げ FINISH	注記参照 SEE NOTES
適用電線範囲 WIRE RANGE	—
被覆外径 INS. RANGE	—
DRAWN BY	CHK'D BY
APPR'D BY	尺度 SCALE

MOLEX MOLEX-JAPAN CO.,LTD. 日本モレックス株式会社	
EDP. NO.	—
ENG. NO.	SD-53314-**-15
TITLE 名称	2mm W-to-B Dual Row Straight Header w/ Ejector Ass'y.
REV A	

THIS DRAWING CONTAINS INFORMATION THAT IS PROPRIETARY TO MOLEX(JAPAN) AND SHOULD NOT BE USED WITHOUT WRITTEN PERMISSION
本図面は日本モレックス(株)の所有する情報を含むもので 当社の許可なく複製を禁止する。



基板取付穴推奨寸法 (参考)
RECOMMENDED PCB HOLE DIM.(REF.)

注記
NOTES

1. 材料: MATERIALS:
ウエハ: ガラス入り 66 ナイロン UL94V-0 色: グレー
WAFER : GLASS FILL 66 NYLON UL94V-0, COLOR : GRAY
ピン : 黄銅、スズメッキ
PIN : BRASS, PRE-TINNED
2. 適合メスコネクタ: MATING CONNECTORS : 51089-***5, 52478-***15,
推奨基板厚: RECOMMENDED PCB THICKNESS : t
インジェクターが開いている状態。
EJECTORS IN OPEN POSITION
3. 推奨寸法: RECOMMENDED DIMENSIONS :
メッキ仕様: TERMINAL PLATING
表面メッキ : スズメッキ 1μm MIN.
SURFACE PLATE : TIN 1μm MIN.
下地メッキ : ニッケルメッキ 0.5μm MIN.
UNDER PLATE : NICKEL 0.5μm MIN.

無鉛
LEAD FREE

80.4	71.4	63.6	58	53314-6065	60
70.4	61.4	53.6	48	-5065	50
60.4	51.4	43.6	38	-4065	40
54.4	45.4	37.6	32	-3465	34
50.4	41.4	33.6	28	53314-3065	30

DIMENSION STYLE		SCALE	DESIGN UNITS	THIRD ANGLE PROJECTION	
MM ONLY	DATE	2:1	METRIC	◎	
DRAWN BY	A. IDA	2003/05/07	TITLE	2.0 W/B DUAL ROW S/T	
CHECKED BY	J. MIYAZAWA	2003/05/07	DATE	HEADER WITH EJECT ASSY	
APPROVED BY	Y. ITO	2003/05/07	MATERIAL NO.	MOLEX INCORPORATED	
GENERAL TOLERANCES (UNLESS SPECIFIED)		SHEET NO.		1 OF 1	
10 UNDER ± 0.2	10 OVER ± 0.25	SEE CHART		SD-53314-001	
30 OVER ± 0.3	ANGULAR ± 3°	DRAFT WHERE APPLICABLE MUST REMAIN WITHIN DIMENSIONS		A3 INCORPORATED AND SHOULD NOT BE USED WITHOUT WRITTEN PERMISSION	