



Chipsmall Limited consists of a professional team with an average of over 10 year of expertise in the distribution of electronic components. Based in Hongkong, we have already established firm and mutual-benefit business relationships with customers from,Europe,America and south Asia,supplying obsolete and hard-to-find components to meet their specific needs.

With the principle of “Quality Parts,Customers Priority,Honest Operation,and Considerate Service”,our business mainly focus on the distribution of electronic components. Line cards we deal with include Microchip,ALPS,ROHM,Xilinx,Pulse,ON,Everlight and Freescale. Main products comprise IC,Modules,Potentiometer,IC Socket,Relay,Connector.Our parts cover such applications as commercial,industrial, and automotives areas.

We are looking forward to setting up business relationship with you and hope to provide you with the best service and solution. Let us make a better world for our industry!



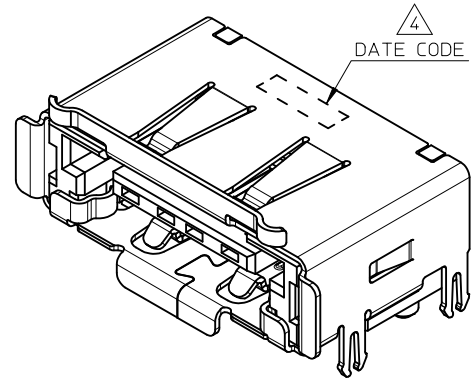
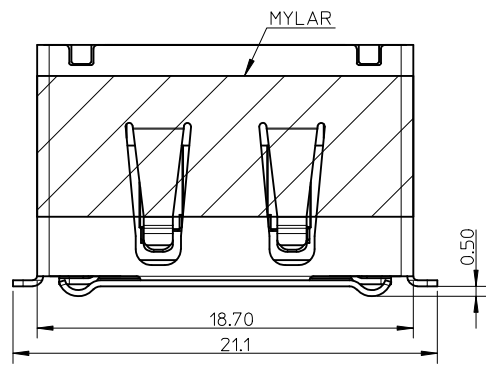
Contact us

Tel: +86-755-8981 8866 Fax: +86-755-8427 6832

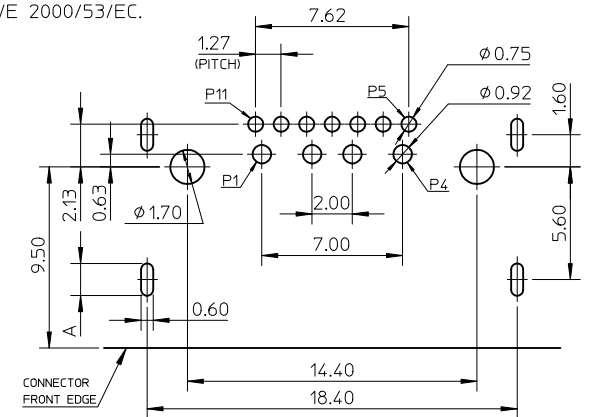
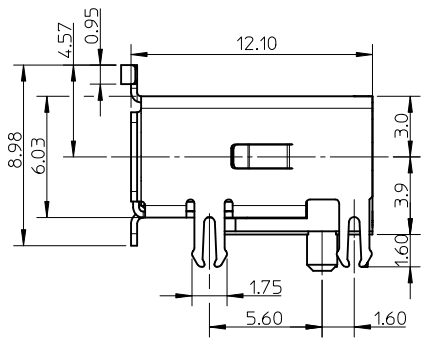
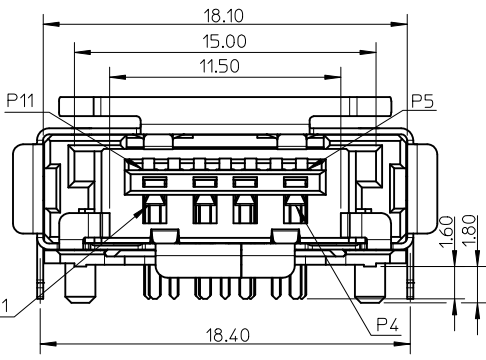
Email & Skype: info@chipsmall.com Web: www.chipsmall.com

Address: A1208, Overseas Decoration Building, #122 Zhenhua RD., Futian, Shenzhen, China



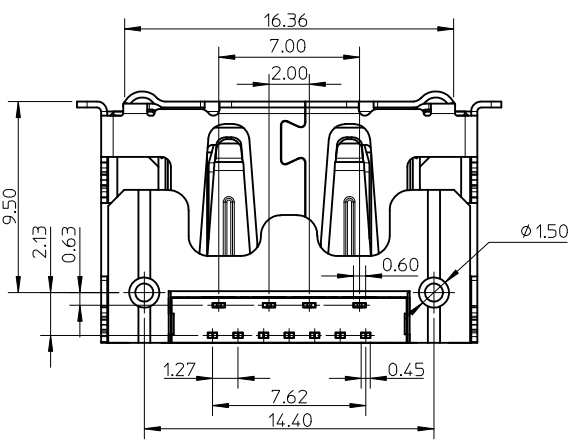


- NOTES:
- MATERIAL:
 - HOUSING: HIGH TEMPERATURE THERMOPLASTIC, 30% GLASS FILLED, BLACK, UL94V-0.
 - TAIL GUIDER: HIGH TEMPERATURE THERMOPLASTIC, 30% GLASS FILLED, BLACK, UL94V-0.
 - TERMINAL-1: COPPER ALLOY.
 - TERMINAL-2: COPPER ALLOY.
 - METAL SHELL: STAINLESS STEEL.
 - TERMINAL PLATING:
 - CONTACT AREA: GOLD PLATING. DETAIL SEE TABLE,
 - SOLDER AREA: 2.0 MICROMETRE MINIMUM MATTE TIN PLATING,
 - UNDER PLATING: 1.27 MICROMETRE MINIMUM NICKEL PLATING.
 - METAL SHELL PLATING: SOLDERABLE NICKEL PLATING.
 - DATE CODE: YYMMDD, 'YY' REPRESENTS YEAR, 'MM' REPRESENTS MONTH, 'DD' REPRESENTS DATE.
 - PRODUCT SPECIFICATION: PS-47403-001.
 - PACKAGE SPECIFICATION: PK-105125-001.
 - PRODUCT COMPLIANT TO RoHS DIRECTIVE 2002/95/EC AND ELV DIRECTIVE 2000/53/EC.



RECOMMEND PCB LAYOUT, T=1.2mm
PCB TOLERANCE: ±0.05

DIMENSION-A	BOARDLOCK FUNCTION
1.6	AVAILABLE
1.9	UNAVAILABLE



PIN ASSIGNMENT

USB		ESATA	
NAME	TYPE	NAME	TYPE
P1	VBUS	P5	GND
P2	D-	P6	A+
P3	D+	P7	A-
P4	GND	P8	GND
		P9	B-
		P10	B+
		P11	GND

105125-1002	0.76 MICROMETRE MIN. GOLD PLATING
105125-1001	0.38 MICROMETRE MIN. GOLD PLATING
105125-1000	GOLD FLASH
P/N	CONTACT AREA PLATING

<p>NEW RELEASE</p> <p>EC NO: SH2010-0450</p> <p>DRWN: XQZHANG</p> <p>CHKD: GLLI</p> <p>APPR: XJSONG</p> <p>2010/05/31</p> <p>2010/06/04</p> <p>2010/06/29</p>	<p>QUALITY SYMBOLS</p> <p>F_A=0</p> <p>F_C=0</p> <p>F_P=0</p>	<p>GENERAL TOLERANCES (UNLESS SPECIFIED)</p>		<p>DIMENSION STYLE</p> <p>MM ONLY</p>		<p>SCALE</p> <p>4:1</p>	<p>DESIGN UNITS</p> <p>METRIC</p>	<p>THIRD ANGLE PROJECTION</p>																
		<table border="1"> <thead> <tr> <th></th> <th>mm</th> <th>INCH</th> </tr> </thead> <tbody> <tr> <td>4 PLACES</td> <td>± ---</td> <td>± ---</td> </tr> <tr> <td>3 PLACES</td> <td>± ---</td> <td>± ---</td> </tr> <tr> <td>2 PLACES</td> <td>± 0.25</td> <td>± ---</td> </tr> <tr> <td>1 PLACE</td> <td>± 0.25</td> <td>± ---</td> </tr> </tbody> </table>			mm	INCH	4 PLACES	± ---	± ---	3 PLACES	± ---	± ---	2 PLACES	± 0.25	± ---	1 PLACE	± 0.25	± ---	<p>DRAWN BY</p> <p>XQZHANG</p>		<p>DATE</p> <p>2009/08/05</p>	<p>TITLE</p> <p>COMBO ESATA AND USB CONNECTOR TOP MOUNT TYPE</p>		
			mm	INCH																				
		4 PLACES	± ---	± ---																				
3 PLACES	± ---	± ---																						
2 PLACES	± 0.25	± ---																						
1 PLACE	± 0.25	± ---																						
<p>ANGULAR ± 3°</p>		<p>CHECKED BY</p> <p>XJSONG</p>		<p>DATE</p> <p>2009/08/05</p>	<p>MOLEX INCORPORATED</p>																			
<p>DRAFT WHERE APPLICABLE MUST REMAIN WITHIN DIMENSIONS</p>		<p>APPROVED BY</p> <p>XJSONG</p>		<p>DATE</p> <p>2009/08/05</p>	<p>MATERIAL NO.</p> <p>SEE TABLE</p>	<p>DOCUMENT NO.</p> <p>SD-105125-100</p>	<p>SHEET NO.</p> <p>1 OF 1</p>																	