



Chipsmall Limited consists of a professional team with an average of over 10 year of expertise in the distribution of electronic components. Based in Hongkong, we have already established firm and mutual-benefit business relationships with customers from,Europe,America and south Asia,supplying obsolete and hard-to-find components to meet their specific needs.

With the principle of “Quality Parts,Customers Priority,Honest Operation,and Considerate Service”,our business mainly focus on the distribution of electronic components. Line cards we deal with include Microchip,ALPS,ROHM,Xilinx,Pulse,ON,Everlight and Freescale. Main products comprise IC,Modules,Potentiometer,IC Socket,Relay,Connector.Our parts cover such applications as commercial,industrial, and automotives areas.

We are looking forward to setting up business relationship with you and hope to provide you with the best service and solution. Let us make a better world for our industry!



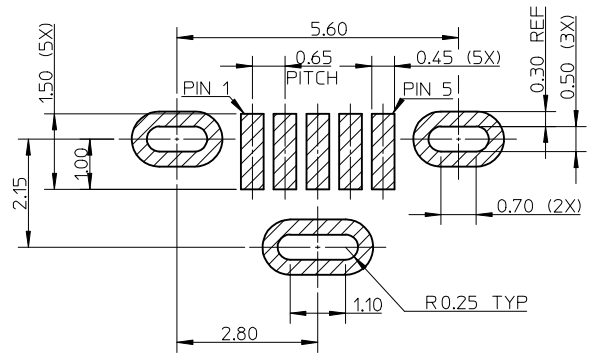
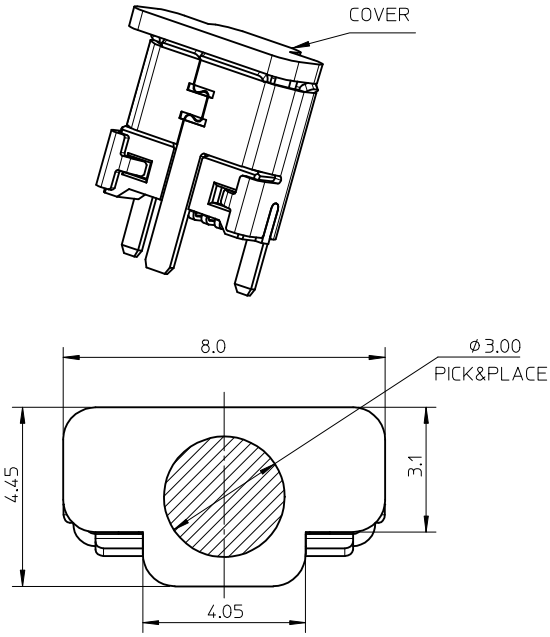
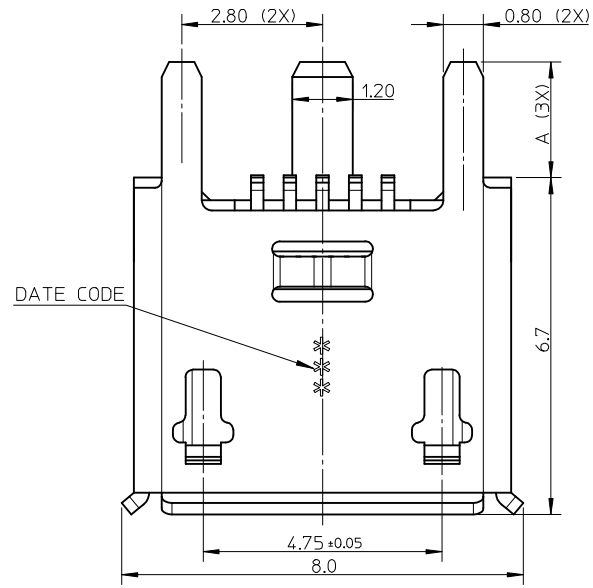
## Contact us

Tel: +86-755-8981 8866 Fax: +86-755-8427 6832

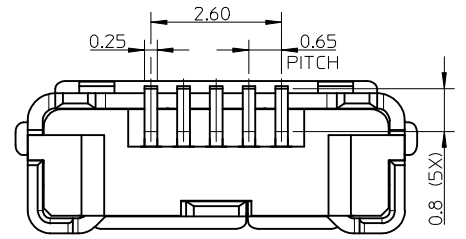
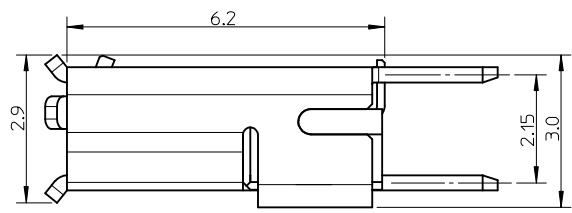
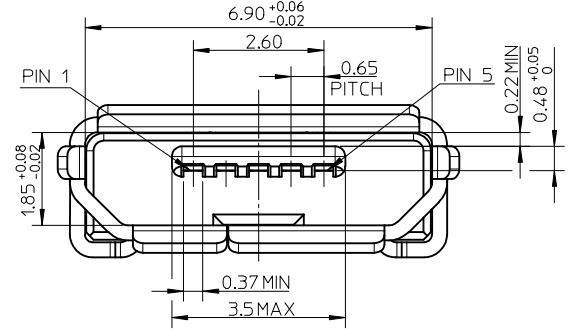
Email & Skype: info@chipsmall.com Web: www.chipsmall.com

Address: A1208, Overseas Decoration Building, #122 Zhenhua RD., Futian, Shenzhen, China





RECOMMENDED PCB LAYOUT (THICKNESS=1.6mm)  
GENERAL TOLERANCE: ±0.05



- NOTES:
- MATERIAL:  
HOUSING & COVER: HIGH TEMPERATURE THERMOPLASTIC, BLACK, UL94V-0;  
TERMINAL: COPPER ALLOY, THICKNESS: 0.15mm;  
SHELL: STAINLESS STEEL, THICKNESS: 0.30mm.
  - PLATING:  
TERMINAL: CONTACT AREA: GOLD FLASH OVER MINIMUM 0.75 MICRON Pd/Ni;  
SOLDER TAIL AREA: GOLD FLASH;  
UNDER PLATING: NICKEL 2.0 MICROMN MINIMUM.  
SHELL: MATTE TIN 1.27 MICRON MINIMUM;  
UNDER PLATING: NICKEL 1.27 MICRON MINIMUM.
  - TAIL COPLANARITY 0.08mm MAXIMUM.
  - PRODUCT SPECIFICATION: PS-47642-01.
  - PACKAGING SPECIFICATION: PK-105133-001.
  - COMPLIANT TO RoHS DIRECTIVE 2002/95/EC AND ELV 2000/53/EC.

105133-0002	1.70
105133-0001	2.30
PART NUMBER	DIM A

ADD PART NUMBER EC NO: SH2013-0001 DRWN:XOZHANG CHKD:XOZHANG APPR:AYIN	2012/07/01 2012/07/01 2012/07/13	DESCRIPTION REV	QUALITY SYMBOLS	GENERAL TOLERANCES (UNLESS SPECIFIED)	DIMENSION STYLE	SCALE	DESIGN UNITS	THIRD ANGLE PROJECTION	
			$F_A=0$	mm INCH	MM ONLY	1:1	METRIC	☉	
			$F_C=0$	4 PLACES ± --- ± ---	DRAWN BY DATE	TITLE	MICRO USB B RECEPTACLE VERTICAL TYPE		
			$F_P=0$	3 PLACES ± --- ± ---	XJSONG 2009/09/16	2009/09/16			
B			2 PLACES ± 0.15 ± ---	CHECKED BY DATE	molex				
			1 PLACE ± 0.25 ± ---	APPROVED BY DATE				SD-105133-001	
			0 PLACE ± --- ± ---	RZHANG 2010/11/11	DOCUMENT NO.		1 OF 1		
ANGULAR ± 3 °				MATERIAL NO.		SEE TABLE		THIS DRAWING CONTAINS INFORMATION THAT IS PROPRIETARY TO MOLEX INCORPORATED AND SHOULD NOT BE USED WITHOUT WRITTEN PERMISSION	
DRAFT WHERE APPLICABLE MUST REMAIN WITHIN DIMENSIONS				SIZE		A3			