



Chipsmall Limited consists of a professional team with an average of over 10 year of expertise in the distribution of electronic components. Based in Hongkong, we have already established firm and mutual-benefit business relationships with customers from,Europe,America and south Asia,supplying obsolete and hard-to-find components to meet their specific needs.

With the principle of "Quality Parts,Customers Priority,Honest Operation,and Considerate Service",our business mainly focus on the distribution of electronic components. Line cards we deal with include Microchip,ALPS,ROHM,Xilinx,Pulse,ON,Everlight and Freescale. Main products comprise IC,Modules,Potentiometer,IC Socket,Relay,Connector.Our parts cover such applications as commercial,industrial, and automotives areas.

We are looking forward to setting up business relationship with you and hope to provide you with the best service and solution. Let us make a better world for our industry!



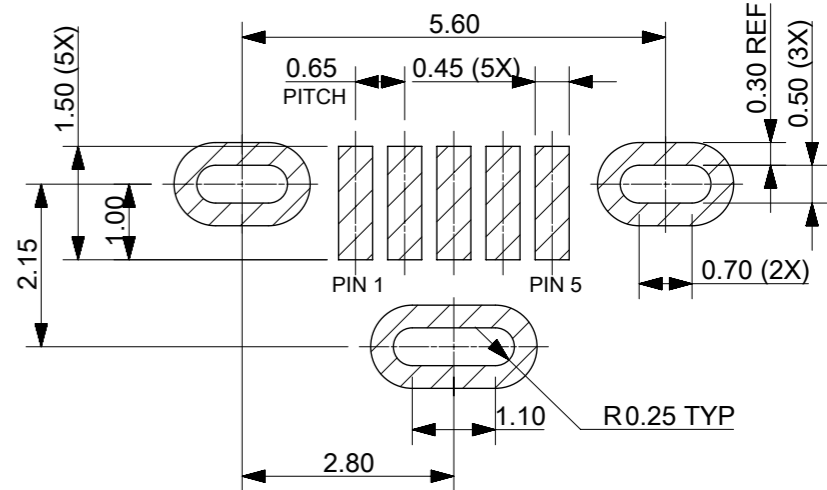
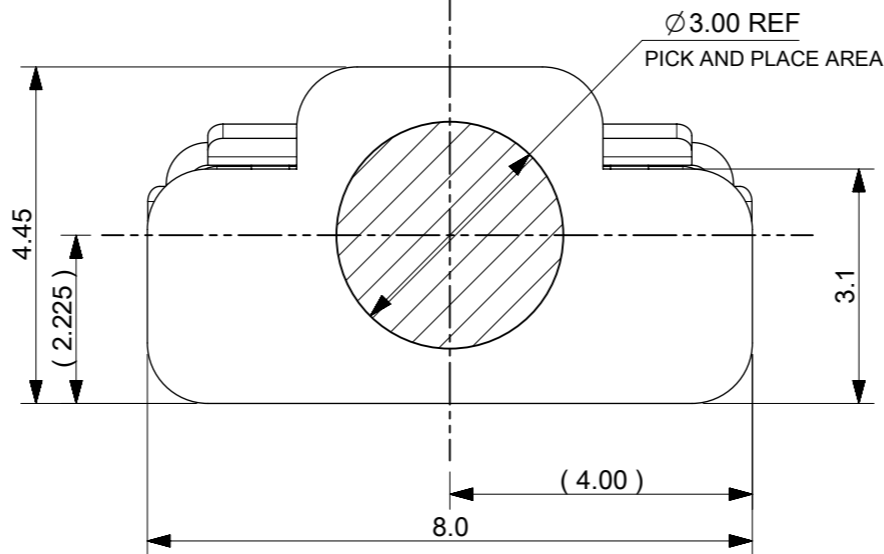
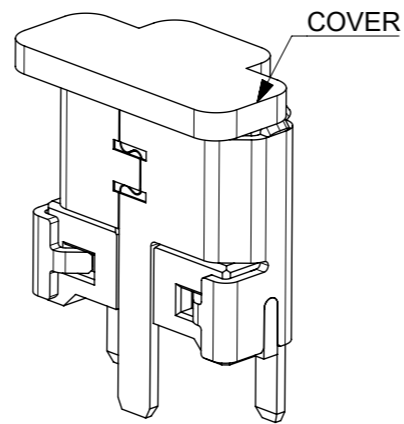
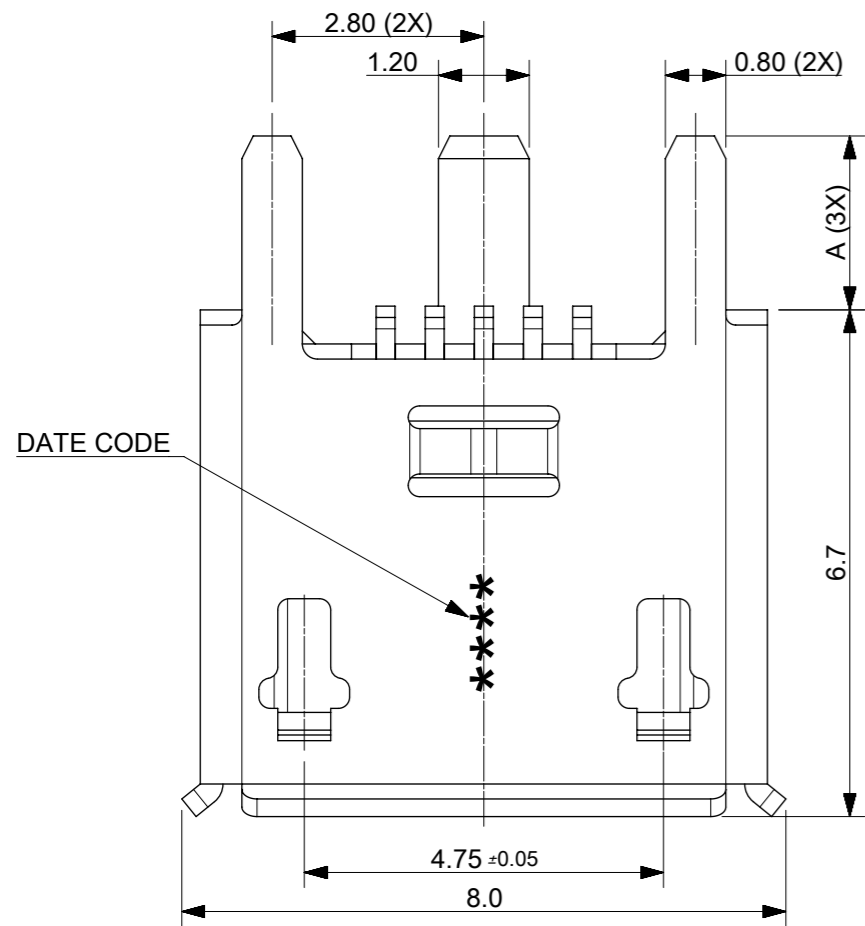
## Contact us

Tel: +86-755-8981 8866 Fax: +86-755-8427 6832

Email & Skype: info@chipsmall.com Web: www.chipsmall.com

Address: A1208, Overseas Decoration Building, #122 Zhenhua RD., Futian, Shenzhen, China

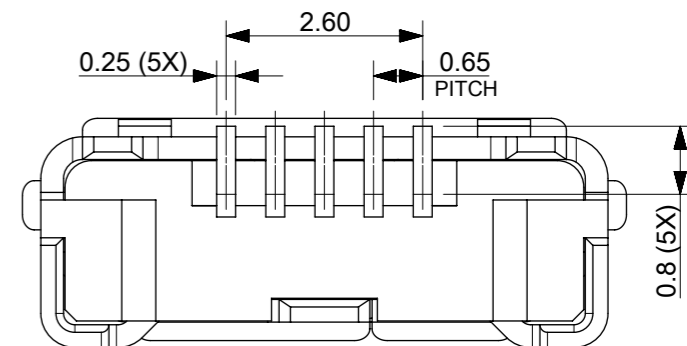
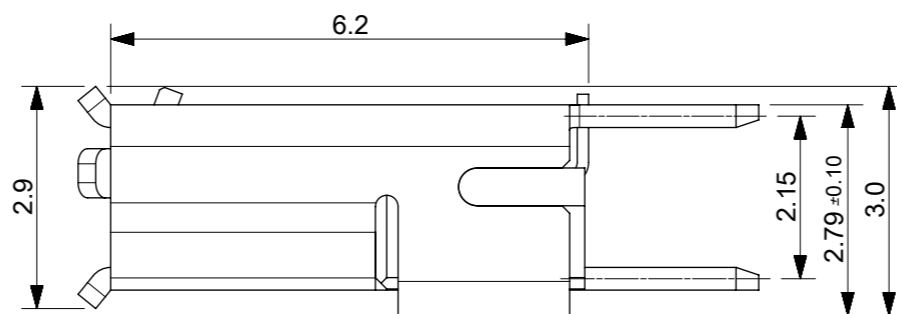
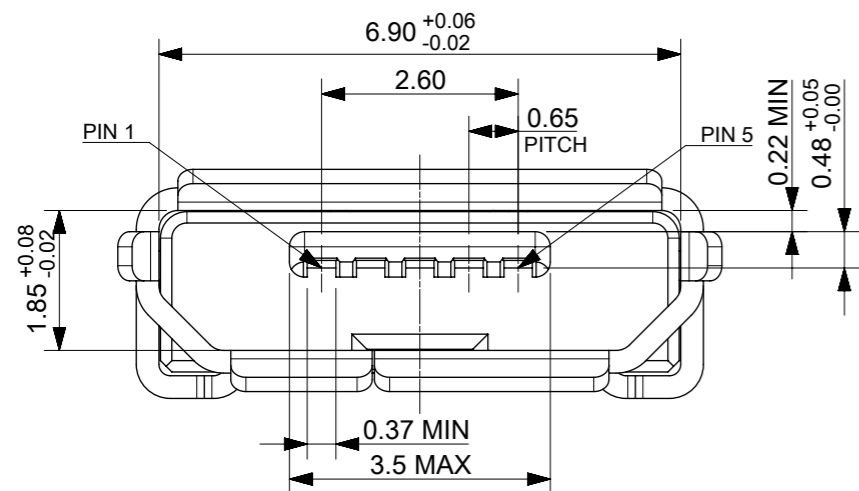




RECOMMENDED PCB LAYOUT (THICKNESS: 1.6mm)  
GENERAL TOLERANCE: ±0.05

PIN	NAME
5	GND
4	ID
3	D+
2	D-
1	VBUS

PIN ASSIGNMENT



105133-0002	1.70
105133-0001	2.30
PART NUMBER	DIM A

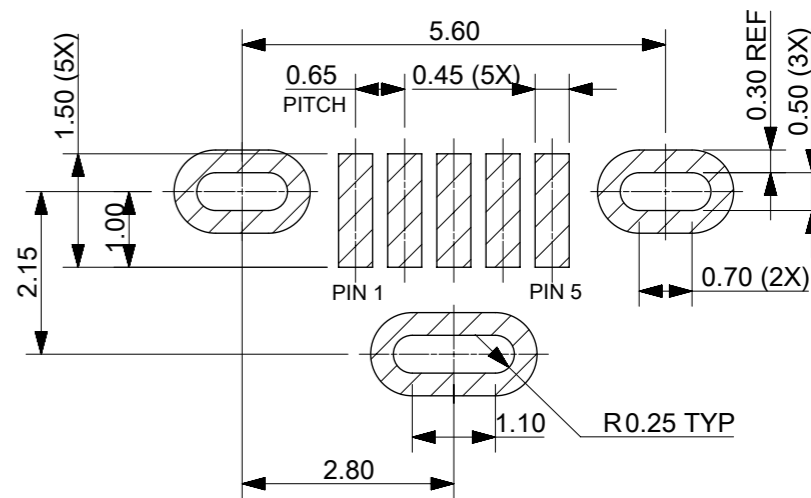
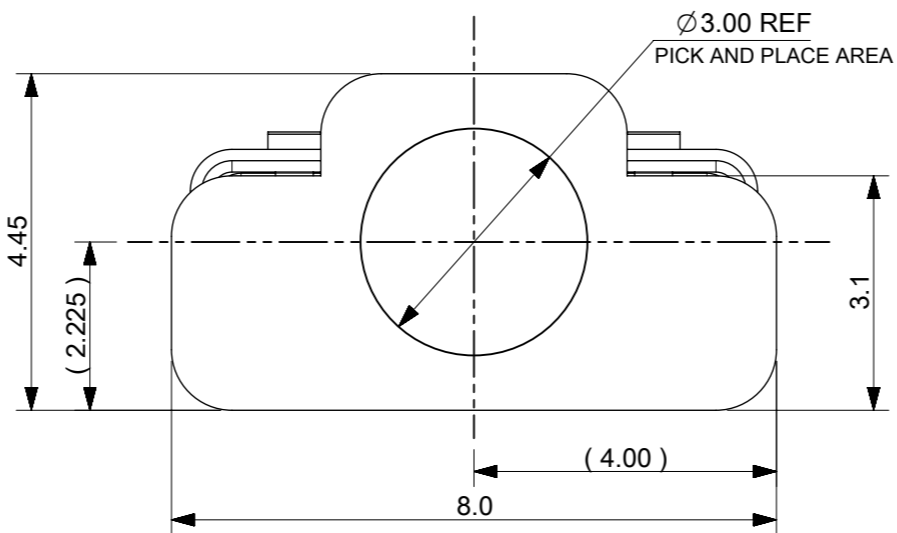
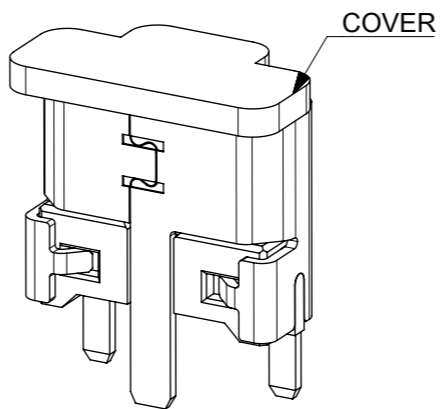
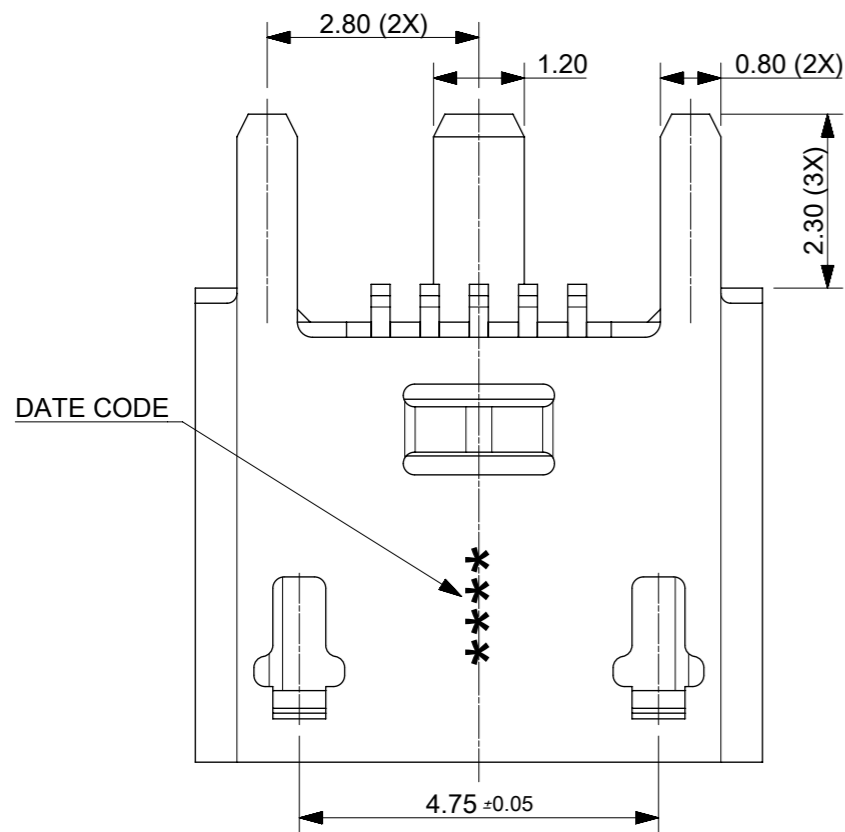
NOTES:

- MATERIAL:  
HOUSING & COVER: HIGH TEMPERATURE THERMOPLASTIC, BLACK, UL94V-0;  
TERMINAL: COPPER ALLOY, THICKNESS: 0.15mm;  
SHELL: STAINLESS STEEL, THICKNESS: 0.30mm.
- PLATING:  
TERMINAL: CONTACT AREA: GOLD FLASH OVER MINIMUM 0.75 MICRON Pd/Ni;  
SOLDER TAIL AREA: GOLD FLASH;  
UNDER PLATING: NICKEL 2.0 MICRON MINIMUM.  
SHELL: MATTE TIN 1.27 MICRON MINIMUM;  
UNDER PLATING: NICKEL 1.27 MICRON MINIMUM.
- TAIL COPLANARITY 0.08mm MAXIMUM.
- PRODUCT SPECIFICATION: PS-105133-001.
- PACKAGE SPECIFICATION: PK-105133-001.
- COMPLIANT TO RoHS DIRECTIVE 2011/65/EU AND ELV 2000/53/EC.

THIS DRAWING CONTAINS INFORMATION THAT IS PROPRIETARY TO MOLEX ELECTRONIC TECHNOLOGIES, LLC AND SHOULD NOT BE USED WITHOUT WRITTEN PERMISSION

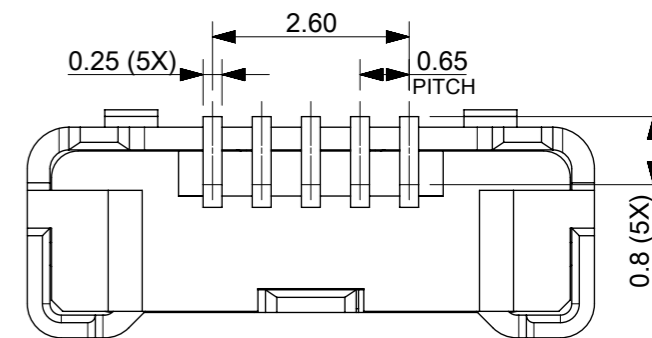
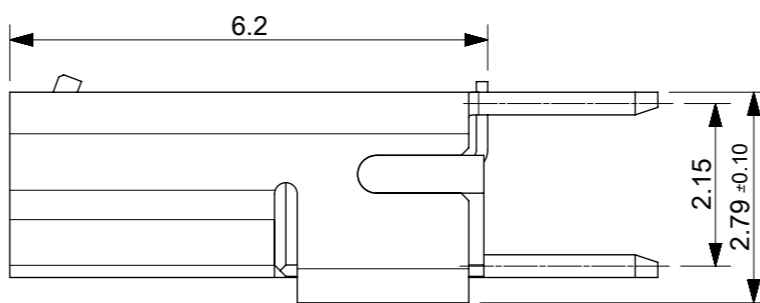
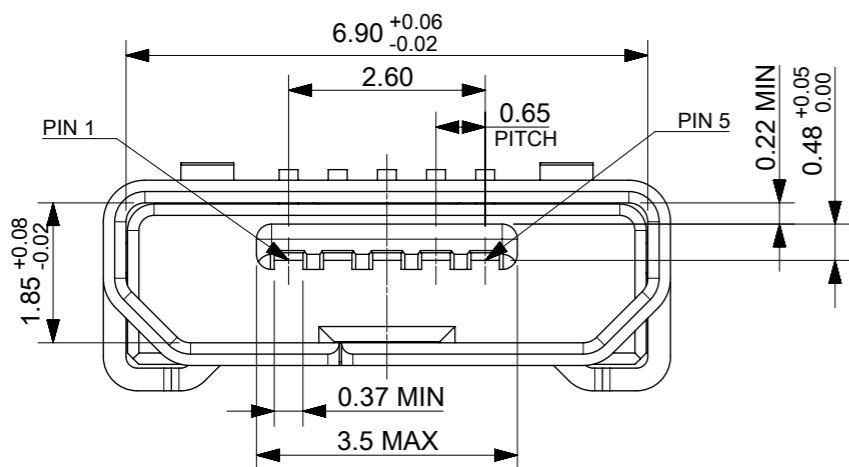
ADD DIMENSIONS		GENERAL TOLERANCES (UNLESS SPECIFIED)		DIMENSION UNITS	SCALE				
EC NO: 108812	2016/08/25	ANGULAR TOL ± 3.0 °		MM	10:1				
DRWN: XQZHANG	2016/08/25	4 PLACES	±	DRWN BY	DATE	PRODUCT CUSTOMER DRAWING			
CHK'D: XQZHANG	2016/10/12	3 PLACES	±	CHK'D BY	DATE				
REV APPR: AYIN		2 PLACES	± 0.15	APPR BY	DATE	DOCUMENT NUMBER: SD-105133-001 DOC TYPE: PSD DOC PART: 000 SHEET NUMBER: 1 OF 2			
		1 PLACE	± 0.25	RZHANG	2010/11/11				
		0 PLACES	±	DRAWING SIZE	THIRD ANGLE PROJECTION				
		DRAFT WHERE APPLICABLE MUST REMAIN WITHIN DIMENSIONS		A3					

RELEASE STATUS	RELEASE DATE



RECOMMENDED PCB LAYOUT (THICKNESS: 1.6mm)  
GENERAL TOLERANCE: ±0.05

PIN	NAME
5	GND
4	ID
3	D+
2	D-
1	VBUS
PIN ASSIGNMENT	



105133-1001  
PART NUMBER

NOTES:

- MATERIAL:  
HOUSING & COVER: HIGH TEMPERATURE THERMOPLASTIC, BLACK, UL94V-0;  
TERMINAL: COPPER ALLOY, THICKNESS: 0.15mm;  
SHELL: STAINLESS STEEL, THICKNESS: 0.30mm.
- PLATING:  
TERMINAL: CONTACT AREA: GOLD FLASH OVER MINIMUM 0.75 MICRON Pd/Ni;  
SOLDER TAIL AREA: GOLD FLASH;  
UNDER PLATING: NICKEL 2.0 MICRON MINIMUM.  
SHELL: MATTE TIN 1.27 MICRON MINIMUM;  
UNDER PLATING: NICKEL 1.27 MICRON MINIMUM.
- TAIL COPLANARITY 0.08mm MAXIMUM.
- PRODUCT SPECIFICATION: PS-105133-001.
- PACKAGE SPECIFICATION: PK-105133-011.
- COMPLIANT TO RoHS DIRECTIVE 2011/65/EU AND ELV 2000/53/EC.

THIS DRAWING CONTAINS INFORMATION THAT IS PROPRIETARY TO MOLEX ELECTRONIC TECHNOLOGIES, LLC AND SHOULD NOT BE USED WITHOUT WRITTEN PERMISSION

ADD DIMENSIONS EC NO: 108812 DRWN: XQZHANG CHK'D: XQZHANG REV APPR: AYIN	2016/08/25	2016/08/25	2016/10/12	GENERAL TOLERANCES (UNLESS SPECIFIED)	DIMENSION UNITS	SCALE			
					MM	10:1			
	4 PLACES	±			DRWN BY	DATE		SALES DRAWING FOR USB, MICRO-B VERTICAL TYPE	
	3 PLACES	±			XJSONG	2009/09/16			
2 PLACES	±	0.15	CHK'D BY	DATE	PRODUCT CUSTOMER DRAWING				
1 PLACE	±	0.25	XJSONG	2009/09/16					
0 PLACES	±		APPR BY	DATE	SERIES: 105133 MATERIAL NUMBER: SEE TABLE CUSTOMER: GENERAL MARKET				
DRAFT WHERE APPLICABLE MUST REMAIN WITHIN DIMENSIONS				RZHANG		2010/11/11			
D	REV			DRAWING SIZE	THIRD ANGLE PROJECTION	DOCUMENT NUMBER	DOC TYPE	DOC PART	SHEET NUMBER
				A3		SD-105133-001	PSD	000	2 OF 2

RELEASE STATUS	RELEASE DATE
----------------	--------------