



Chipsmall Limited consists of a professional team with an average of over 10 year of expertise in the distribution of electronic components. Based in Hongkong, we have already established firm and mutual-benefit business relationships with customers from,Europe,America and south Asia,supplying obsolete and hard-to-find components to meet their specific needs.

With the principle of “Quality Parts,Customers Priority,Honest Operation,and Considerate Service”,our business mainly focus on the distribution of electronic components. Line cards we deal with include Microchip,ALPS,ROHM,Xilinx,Pulse,ON,Everlight and Freescale. Main products comprise IC,Modules,Potentiometer,IC Socket,Relay,Connector.Our parts cover such applications as commercial,industrial, and automotives areas.

We are looking forward to setting up business relationship with you and hope to provide you with the best service and solution. Let us make a better world for our industry!



Contact us

Tel: +86-755-8981 8866 Fax: +86-755-8427 6832

Email & Skype: info@chipsmall.com Web: www.chipsmall.com

Address: A1208, Overseas Decoration Building, #122 Zhenhua RD., Futian, Shenzhen, China



10 9 8 7 6 5 4 3 2 1

F

E

D

C

B

A

F

E

D

C

B

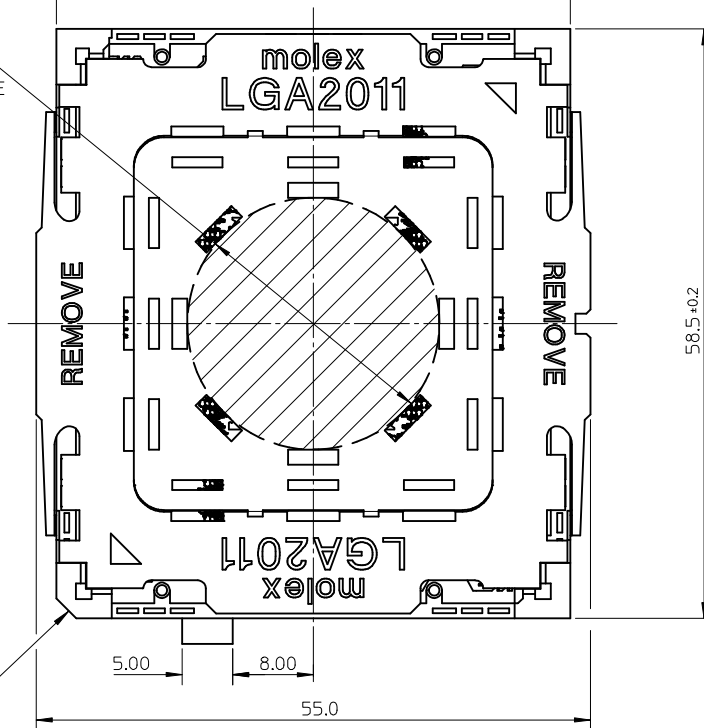
A

3 DATE CODE



51.0 ± 0.2

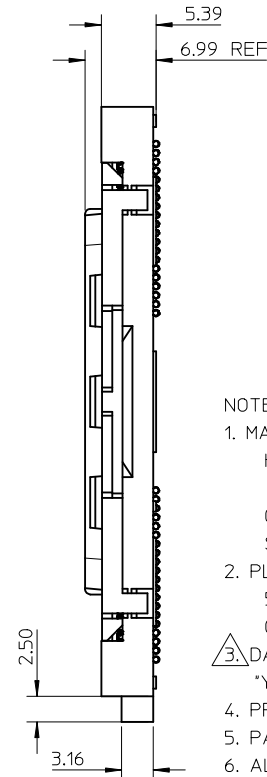
∅ 25.0
PICK & PLACE ZONE



A1 CORNER



CAVITY NUMBER



NOTES:

1. MATERIAL:
HOUSING AND CAP: HIGH TEMPERATURE THERMOPLASTIC, UL94V-0, BLACK COLOR
CONTACT: HIGH STRENGTH COPPER ALLOY
SOLDER BALL: LEAD FREE SnAg3.0Cu0.5
2. PLATING:
50u" NICKEL AT PADDLE AND CONTACT AREA.
GOLD PLATING THICKNESS AT CONTACT AREA REFER TO TABLE.
3. DATE CODE "YMD**" IS DEFINED AS:
"YEAR/MONTH/DAY/MOLEX INTERNAL".
4. PRODUCT SPECIFICATION PS-105142-001 APPLIES.
5. PACKAGING SPECIFICATION PK-105142-001 APPLIES.
6. ALL PART NUMBERS COMPLIANT TO RoHS DIRECTIVE 2002/95/EC AND ELV DIRECTIVE 2000/53/EC.

NEW RELEASE EC NO: SH2015-0083 DRWN: YXZHENG CHKD: AYIN APPR: AYIN	2013/01/21 2013/01/21 2014/09/02	DESCRIPTION REV	QUALITY SYMBOLS	GENERAL TOLERANCES (UNLESS SPECIFIED)	DIMENSION STYLE	SCALE	DESIGN UNITS	THIRD ANGLE PROJECTION		
			$F_A = 0$ $F_C = 0$ $F_P = 0$	mm INCH 4 PLACES ± --- ± --- 3 PLACES ± --- ± --- 2 PLACES ± 0.25 ± --- 1 PLACE ± 0.25 ± --- ANGULAR ± 3 °	MM ONLY	2:1	METRIC	DRAWN BY: YXZHENG DATE: 2010/12/17 CHECKED BY: AYIN DATE: 2010/12/17 APPROVED BY: AYIN DATE: 2012/06/04	TITLE	LGA 2011-0 SOCKET(R0)
			DRAFT WHERE APPLICABLE MUST REMAIN WITHIN DIMENSIONS	SEE SHEET 4	MATERIAL NO.	DOCUMENT NO.	MOLEX INCORPORATED SD-105142-001		SHEET NO.	1 OF 4
			THIS DRAWING CONTAINS INFORMATION THAT IS PROPRIETARY TO MOLEX INCORPORATED AND SHOULD NOT BE USED WITHOUT WRITTEN PERMISSION							

9 8 7 6 5 4 3 2 1

10 9 8 7 6 5 4 3 2 1

F

E

D

C

B

A

F

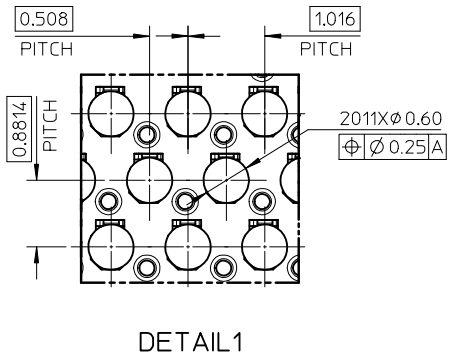
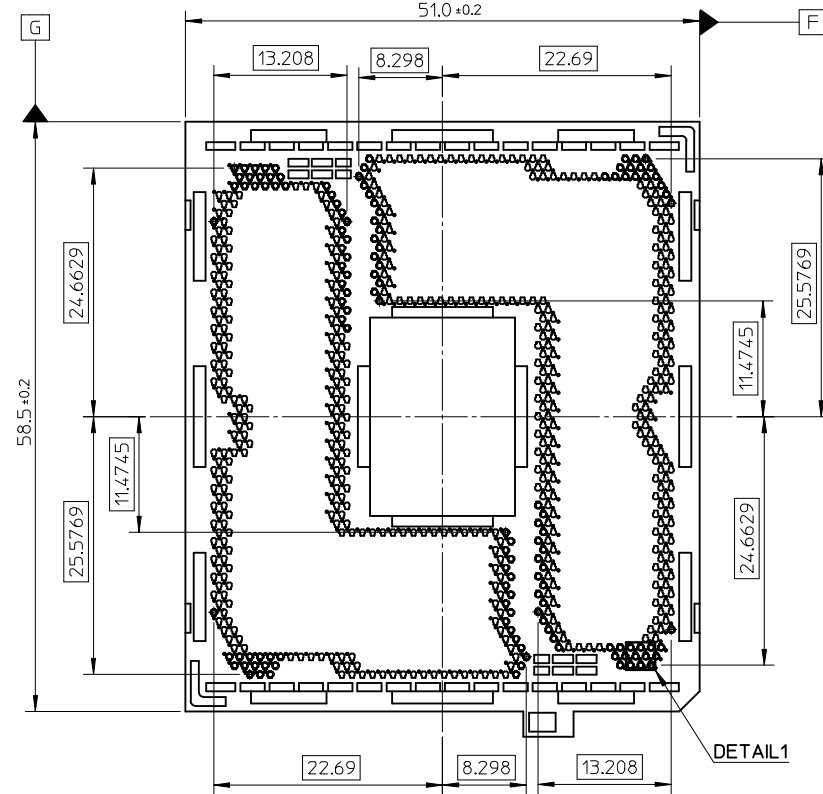
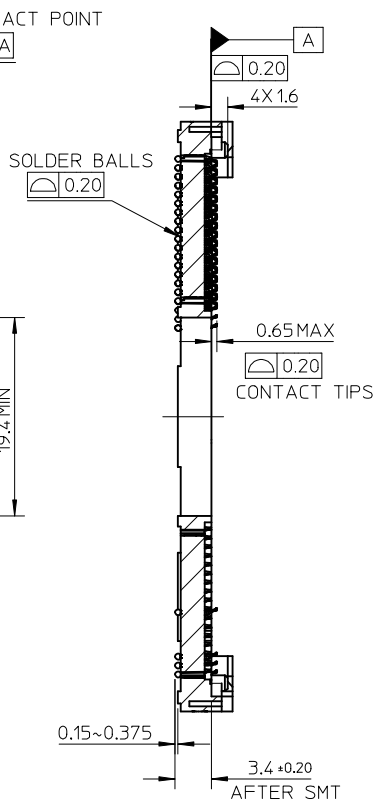
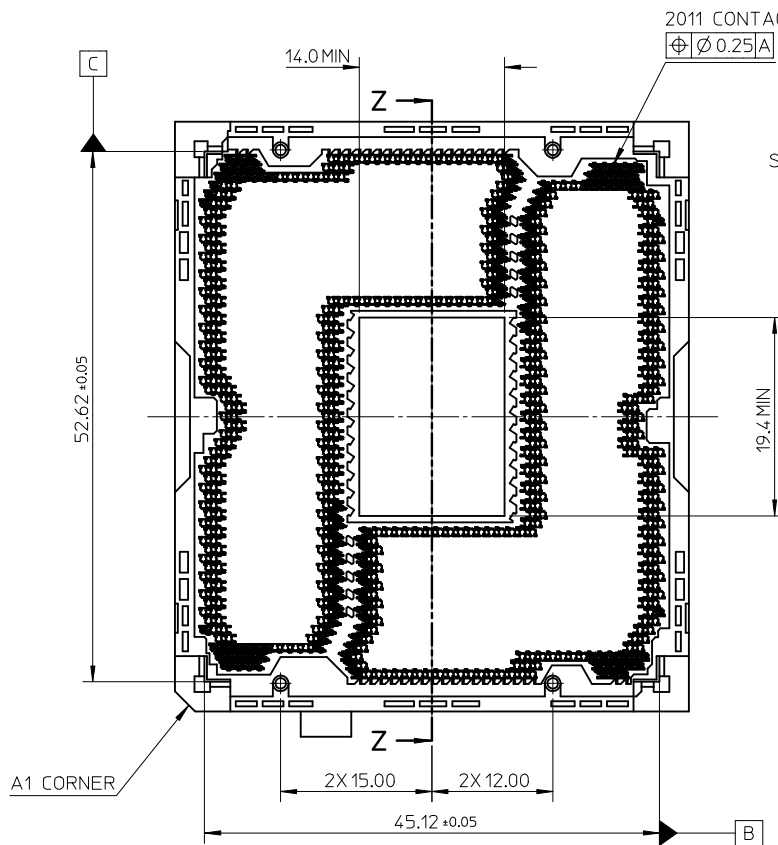
E

D

C

B

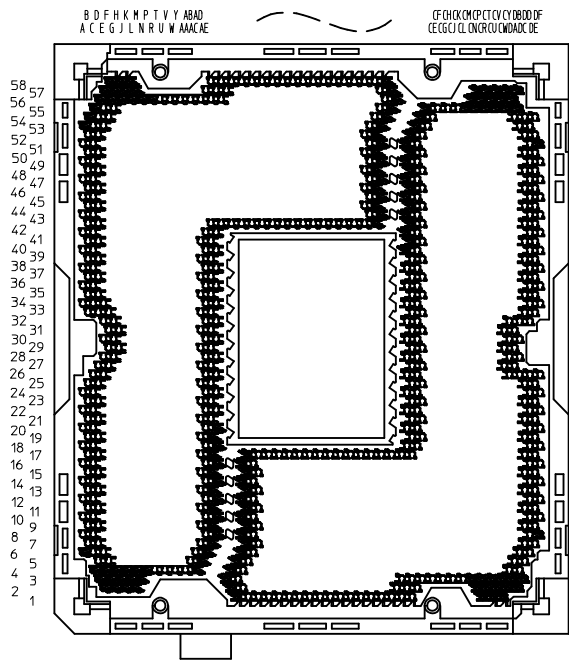
A



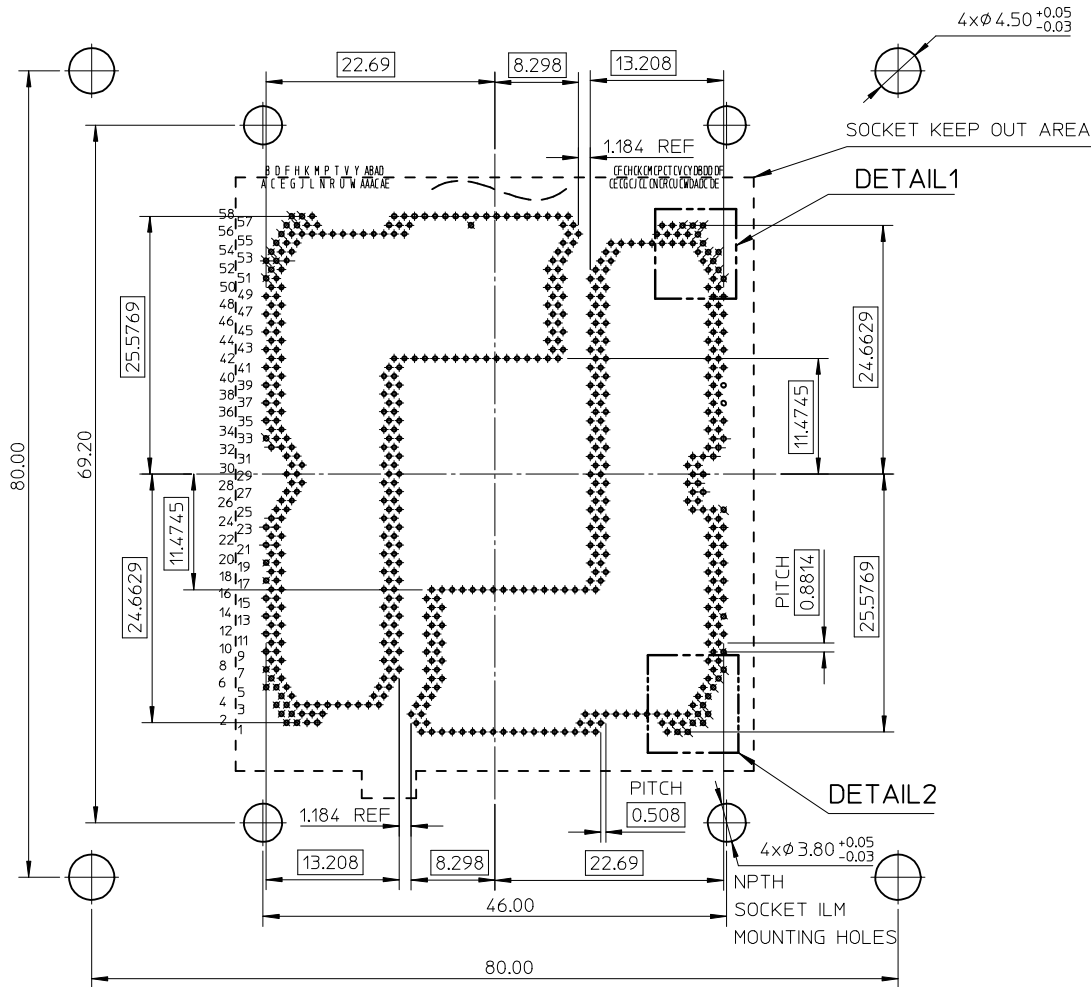
NEW RELEASE EC NO: SH2015-0083 DRWN: YXZHENG 2013/01/21 CHKD: AYIN 2013/01/21 APPR: AYIN 2014/09/02	QUALITY SYMBOLS	GENERAL TOLERANCES (UNLESS SPECIFIED)		DIMENSION STYLE MM ONLY		SCALE 2:1	DESIGN UNITS METRIC	THIRD ANGLE PROJECTION	
	$F_A = 0$	mm	INCH	DRAWN BY YXZHENG	DATE 2010/12/17	TITLE LGA 2011-0 SOCKET(R0)			
	$F_G = 0$	4 PLACES ± ---	± ---	CHECKED BY AYIN	DATE 2010/12/17	APPROVED BY AYIN 2012/06/04			
	$F_P = 0$	3 PLACES ± ---	± ---	MATERIAL NO. SEE SHEET 4		DOCUMENT NO. SD-105142-001		SHEET NO. 2 OF 4	
		2 PLACES ± 0.25	± ---	DRAFT WHERE APPLICABLE MUST REMAIN WITHIN DIMENSIONS					
		1 PLACE ± 0.25	± ---	THIS DRAWING CONTAINS INFORMATION THAT IS PROPRIETARY TO MOLEX INCORPORATED AND SHOULD NOT BE USED WITHOUT WRITTEN PERMISSION					
		ANGULAR ± 3 °							

9 8 7 6 5 4 3 2 1

10 9 8 7 6 5 4 3 2 1

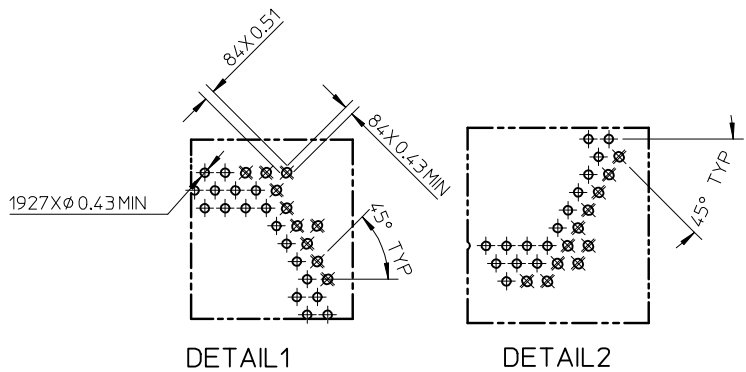


CONTACT NUMBER DEFINITION



RECOMMENDED PCB LAYOUT FOR NORMAL FRAME (REFERENCE ONLY)

DETAIL PLEASE REFER TO INTEL THERMAL AND MECHANICAL DESIGN GUIDELINES

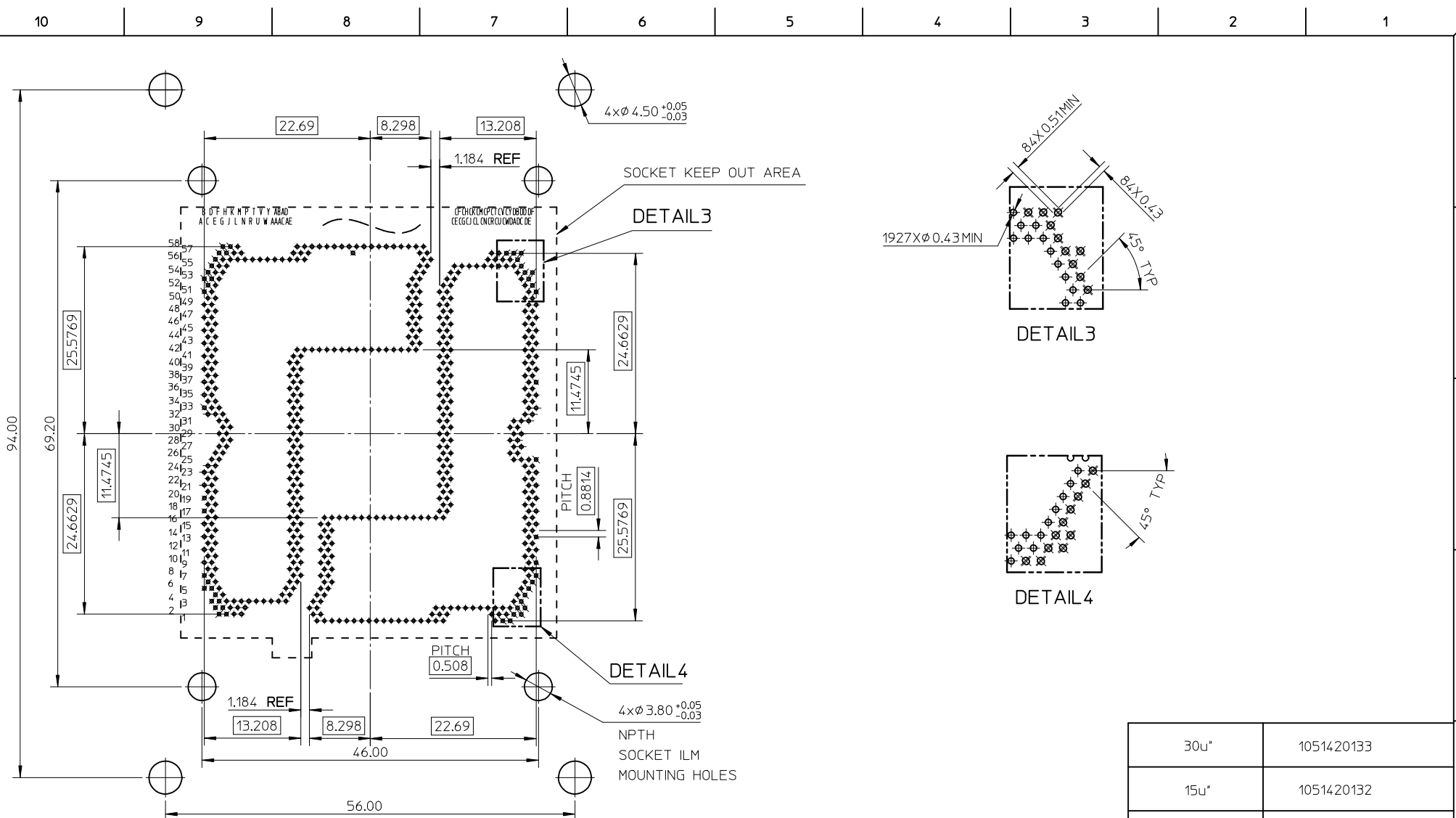


DETAIL 1

DETAIL 2

NEW RELEASE EC NO: SH2015-0083 DRWN: YXZHENG 2013/01/21 CHKD: AYIN 2013/01/21 APPR: AYIN 2014/09/02	QUALITY SYMBOLS $F_A=0$ $F_G=0$ $F_P=0$	GENERAL TOLERANCES (UNLESS SPECIFIED)		DIMENSION STYLE MM ONLY		SCALE 2:1	DESIGN UNITS METRIC	THIRD ANGLE PROJECTION	
		4 PLACES ± --- ± ---	mm INCH	DRAWN BY YXZHENG	DATE 2010/12/17	TITLE LGA 2011-0 SOCKET(R0)			
		3 PLACES ± --- ± ---		CHECKED BY AYIN	DATE 2010/12/17	MOLEX INCORPORATED			
		2 PLACES ± 0.25 ± --- 1 PLACE ± 0.25 ± ---		APPROVED BY AYIN	DATE 2012/06/04	MATERIAL NO. SEE SHEET 4	DOCUMENT NO. SD-105142-001	SHEET NO. 3 OF 4	
DRAFT WHERE APPLICABLE MUST REMAIN WITHIN DIMENSIONS		ANGULAR ± 3 °		THIS DRAWING CONTAINS INFORMATION THAT IS PROPRIETARY TO MOLEX INCORPORATED AND SHOULD NOT BE USED WITHOUT WRITTEN PERMISSION					

9 8 7 6 5 4 3 2 1



RECOMMENDED PCB LAYOUT FOR NORMAL FRAME (REFERENCE ONLY)
 DETAIL PLEASE REFER TO INTEL THERMAL AND MECHANICAL DESIGN GUIDELINES

30U"	1051420133
15U"	1051420132
GOLD THICKNESS	PART NUMBER

NEW RELEASE EC NO: SH2015-0083 DRWN: YXZHENG CHKD: AYIN APPR: AYIN	2013/01/21 2013/01/21 2014/09/02	DESCRIPTION $F_A=0$ $F_G=0$ $F_P=0$	GENERAL TOLERANCES (UNLESS SPECIFIED)		DIMENSION STYLE MM ONLY		SCALE 2:1	DESIGN UNITS METRIC	THIRD ANGLE PROJECTION		
				mm	INCH	DRAWN BY YXZHENG	DATE 2010/12/17	TITLE LGA 2011-0 SOCKET(R0)			
			4 PLACES	± ---	± ---	CHECKED BY AYIN	DATE 2010/12/17	MATERIAL NO. SEE TABLE			
			3 PLACES 2 PLACES 1 PLACE	± --- ± 0.25 ± 0.25	± --- ± --- ± ---	APPROVED BY AYIN	DATE 2012/06/04	DOCUMENT NO. SD-105142-001			
DRAFT WHERE APPLICABLE MUST REMAIN WITHIN DIMENSIONS			SIZE A3		THIS DRAWING CONTAINS INFORMATION THAT IS PROPRIETARY TO MOLEX INCORPORATED AND SHOULD NOT BE USED WITHOUT WRITTEN PERMISSION						