



Chipsmall Limited consists of a professional team with an average of over 10 year of expertise in the distribution of electronic components. Based in Hongkong, we have already established firm and mutual-benefit business relationships with customers from,Europe,America and south Asia,supplying obsolete and hard-to-find components to meet their specific needs.

With the principle of “Quality Parts,Customers Priority,Honest Operation,and Considerate Service”,our business mainly focus on the distribution of electronic components. Line cards we deal with include Microchip,ALPS,ROHM,Xilinx,Pulse,ON,Everlight and Freescale. Main products comprise IC,Modules,Potentiometer,IC Socket,Relay,Connector.Our parts cover such applications as commercial,industrial, and automotives areas.

We are looking forward to setting up business relationship with you and hope to provide you with the best service and solution. Let us make a better world for our industry!



## Contact us

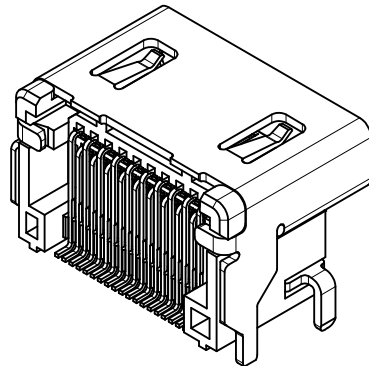
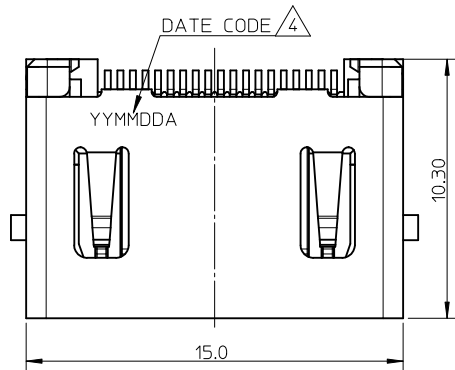
Tel: +86-755-8981 8866 Fax: +86-755-8427 6832

Email & Skype: info@chipsmall.com Web: www.chipsmall.com

Address: A1208, Overseas Decoration Building, #122 Zhenhua RD., Futian, Shenzhen, China



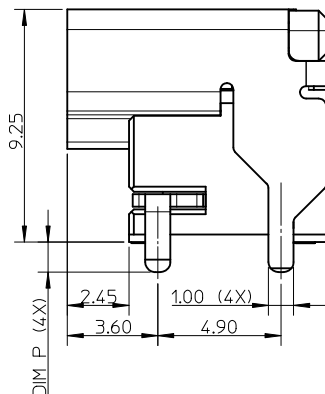
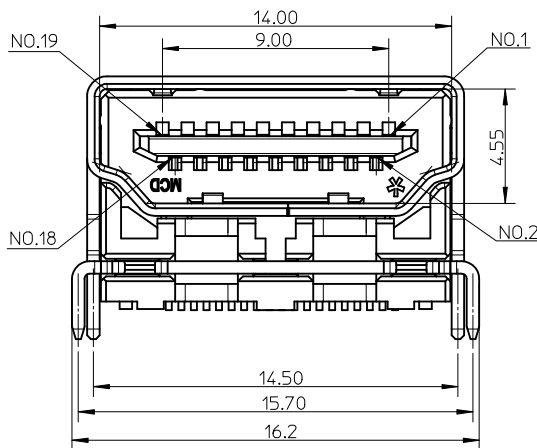
F



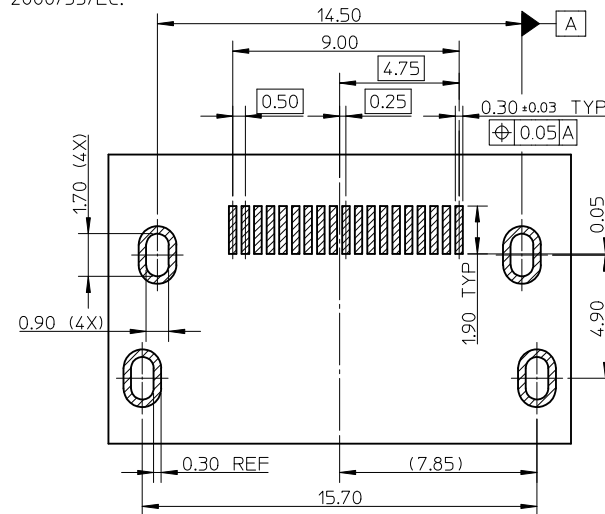
NOTES:

- MATERIAL:  
HOUSING: HIGH TEMPERATURE THERMAL PLASTIC. COLOR: BLACK.  
SHELL/PEG: COPPER ALLOY.  
TERMINAL: COPPER ALLOY.
- PLATING:  
TERMINAL:  
CONTACT AREA: SEE TABLE.  
SOLDER AREA: 1 MICRON MIN. TIN-BISMUTH PLATING.  
UNDER PLATE: 1.27 MICRON MIN. NICKEL PLATING.  
SHELL/PEG: 1.27 MICRON MIN. SOLDERABLE NICKEL PLATING OVER 0.75 MICRON NICKEL PLATING OVERALL.
- COPLANARITY OF ALL TERMINALS IS 0.10mm MAX.
- $\triangle/4$  DATE CODE: 'YYMMDDA', 'YY' REPRESENTS YEAR, 'MM' REPRESENTS MONTH, 'DD' REPRESENTS DATE, 'A' REPRESENTS SHIFT.
- PRODUCT SPECIFICATION: PS-105156-001, TBA FOR PD/NI OPTION.
- PACKAGE SPECIFICATION: PK-105156-001.
- PRODUCT COMPLIANT TO RoHS DIRECTIVE 2002/95/EC AND ELV DIRECTIVE 2000/53/EC.

E



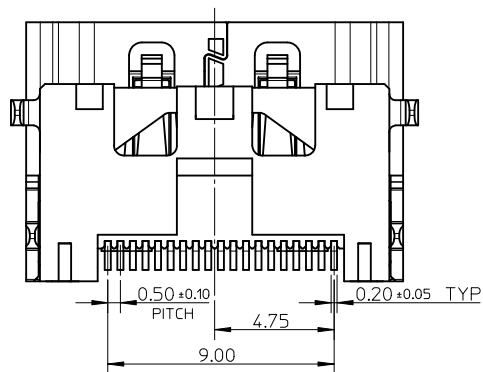
105156-1009	GOLD FLASH OVER PD/NI	
105156-1006	0.76 MICRON MIN. GOLD PLATING	1.20
105156-1007	0.38 MICRON MIN. GOLD PLATING	
105156-1008	GOLD FLASH	
105156-1108	GOLD FLASH	1.00
P/N	CONTACT AREA PLATING	DIM P±0.15



RECOMMENDED PCB LAYOUT (CONNECTOR SIDE)  
THICKNESS=1.20mm, GENERAL TOLERANCE: ±0.10

D

C



ADD NEW P/N EC NO: S2012-0578 DRWN: ZENG CHKD: JESSIECHUA APPR: MAOESHEN	2012/01/31	DESCRIPTION QUALITY SYMBOLS $F_A=0$ $F_G=0$ $F_P=0$
	2012/03/15	
	2012/03/19	
A4	REV	

GENERAL TOLERANCES (UNLESS SPECIFIED)	
mm	INCH
4 PLACES ± ---	± ---
3 PLACES ± ---	± ---
2 PLACES ± 0.20	± ---
1 PLACE ± 0.30	± ---
ANGULAR ± 1 °	
DRAFT WHERE APPLICABLE MUST REMAIN WITHIN DIMENSIONS	

DIMENSION STYLE		SCALE	DESIGN UNITS	THIRD ANGLE PROJECTION
MM ONLY		NTS	METRIC	$\triangle$
DRAWN BY	DATE	TITLE		
XQZHANG	2010/05/28	SD DRAWING FOR HDMI RECEPTACLE RIGHT ANGLE TYPE		
CHECKED BY	DATE	MOLEX INCORPORATED		
XJSONG	2010/05/28	MATERIAL NO. SEE TABLE		
APPROVED BY	DATE	DOCUMENT NO. SD-105156-100		
SIZE A3		SHEET NO. 1 OF 1		

DRAWN BY		DATE	TITLE	
XQZHANG		2010/05/28	SD DRAWING FOR HDMI RECEPTACLE RIGHT ANGLE TYPE	
CHECKED BY		DATE	MOLEX INCORPORATED	
XJSONG		2010/05/28	MATERIAL NO. SEE TABLE	
APPROVED BY		DATE	DOCUMENT NO. SD-105156-100	
SIZE A3		SHEET NO. 1 OF 1		