



Chipsmall Limited consists of a professional team with an average of over 10 year of expertise in the distribution of electronic components. Based in Hongkong, we have already established firm and mutual-benefit business relationships with customers from,Europe,America and south Asia,supplying obsolete and hard-to-find components to meet their specific needs.

With the principle of “Quality Parts,Customers Priority,Honest Operation,and Considerate Service”,our business mainly focus on the distribution of electronic components. Line cards we deal with include Microchip,ALPS,ROHM,Xilinx,Pulse,ON,Everlight and Freescale. Main products comprise IC,Modules,Potentiometer,IC Socket,Relay,Connector.Our parts cover such applications as commercial,industrial, and automotives areas.

We are looking forward to setting up business relationship with you and hope to provide you with the best service and solution. Let us make a better world for our industry!



Contact us

Tel: +86-755-8981 8866 Fax: +86-755-8427 6832

Email & Skype: info@chipsmall.com Web: www.chipsmall.com

Address: A1208, Overseas Decoration Building, #122 Zhenhua RD., Futian, Shenzhen, China



10 9 8 7 6 5 4 3 2 1

F

E

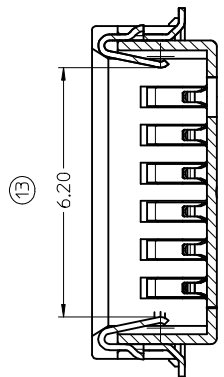
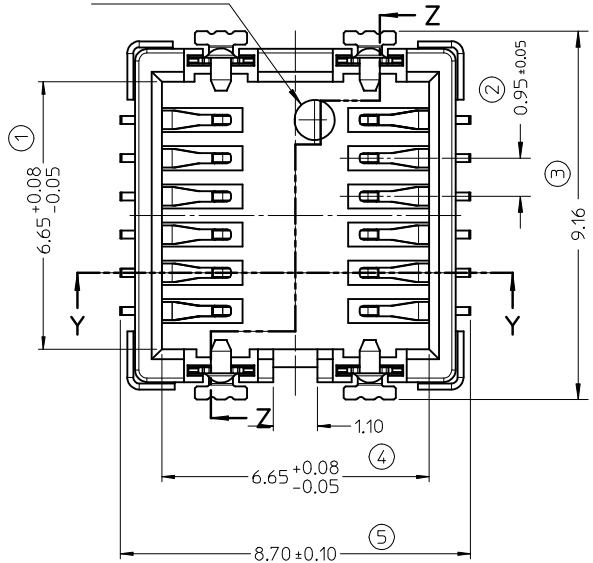
D

C

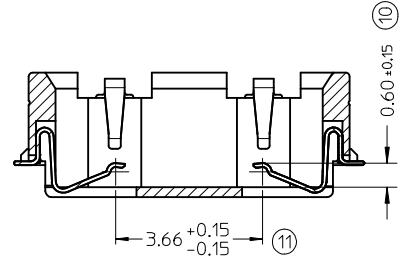
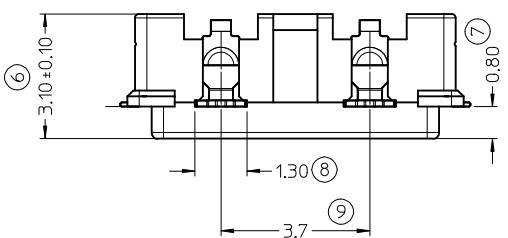
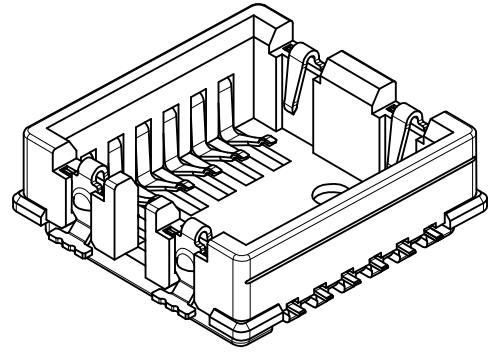
B

A

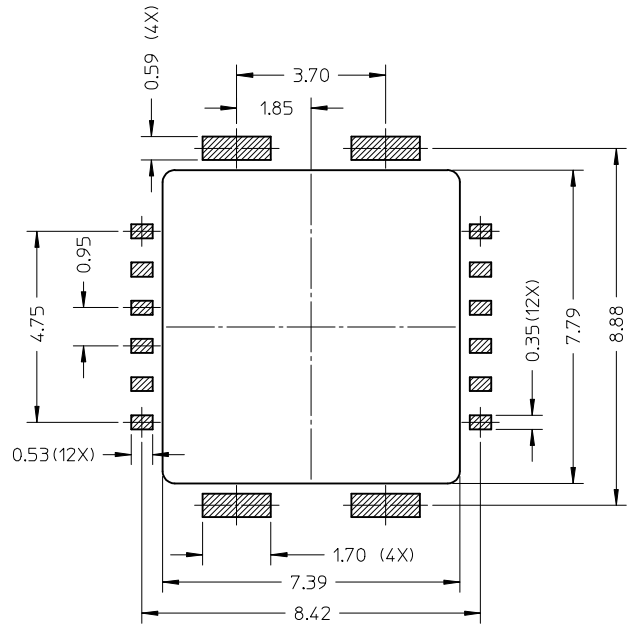
PIN1 MARK



SECTION Z-Z



SECTION Y-Y



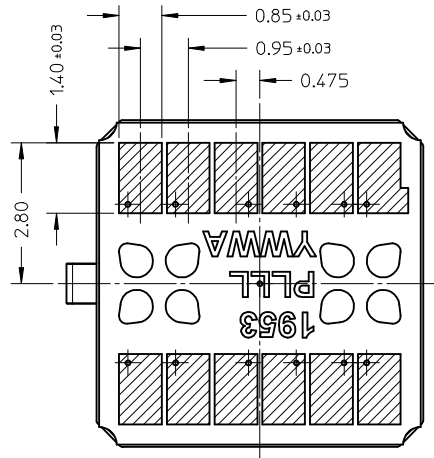
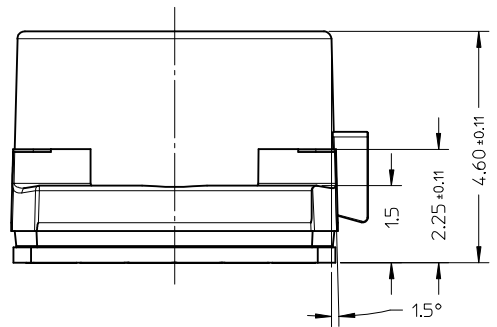
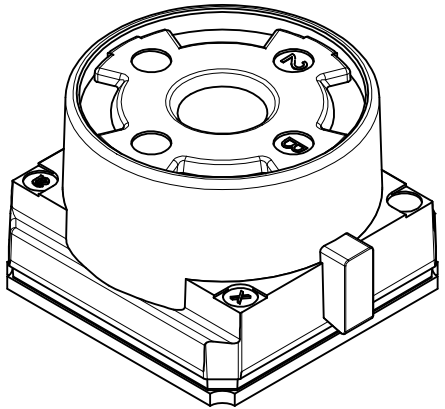
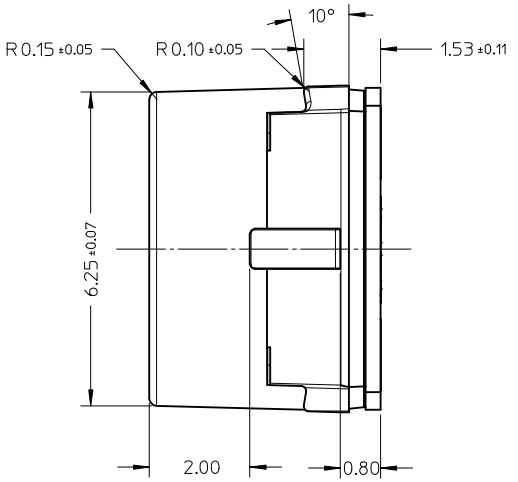
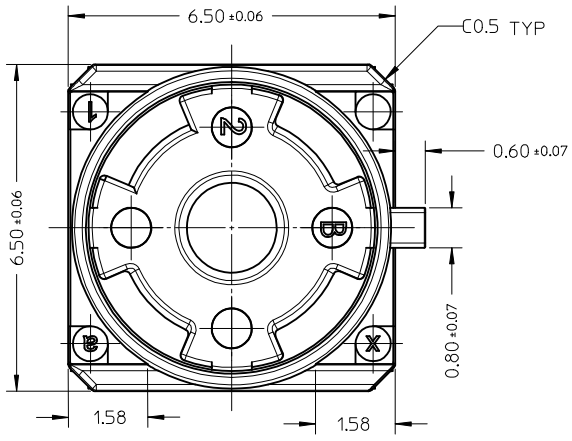
RECOMMENDED PCB LAYOUT
TOLERANCE:0.05mm

- NOTES:
- MATERIALS
HOUSING: HIGH-TEMP THERMAL PLASTIC BLACK, UL94 V-0
TERMINAL: COPPER ALLOY
FITTING NAIL: COPPER ALLOY
 - FINISH
TERMINAL: 2-4 MICROMETER NICKEL UNDERPLATING OVERALL, GOLD PLATING 0.3 MICROMETER ON CONTACT AREA, GOLD FLASH PLATING ON SOLDER AREA.
FITTING NAIL: 2-4 MICROMETER NICKEL UNDERPLATING OVERALL, GOLD FLASH ON CONTACT AREA AND SOLDER TAIL
 - COPLANARITY 0.08mm MAX.FOR ALL TAILS. (12)
 - PRODUCT SPECIFICATION: PS-105163-001
 - PACKAGING: TAPE&REEL

RELEASED EC NO: SH2015-0045 DRWN:WJHUO 2014/04/29 CHKD: APPR:AYIN 2014/08/26	QUALITY SYMBOLS $\nabla_A=0$ $\nabla_C=0$ $\nabla_P=0$	GENERAL TOLERANCES (UNLESS SPECIFIED)		DIMENSION STYLE MM ONLY		SCALE 8:1	DESIGN UNITS METRIC	THIRD ANGLE PROJECTION			
		4 PLACES ± --- ± --- 3 PLACES ± --- ± --- 2 PLACES ± 0.15 ± --- 1 PLACE ± 0.20 ± --- 0 PLACE ± --- ± ---	mm INCH	DRAWN BY WJHUO	DATE 2012/12/10	TITLE SMIA65 CAMERA SOCKET BOTTOM CONTACT 0.8MM MID-MOUNT					
		DRAFT WHERE APPLICABLE MUST REMAIN WITHIN DIMENSIONS		APPROVED BY AYIN	DATE 2013/01/08	MATERIAL NO. 1051631001					
				SIZE A3	THIS DRAWING CONTAINS INFORMATION THAT IS PROPRIETARY TO MOLEX INCORPORATED AND SHOULD NOT BE USED WITHOUT WRITTEN PERMISSION						
				DOCUMENT NO. SD-105163-101		SHEET NO. 1 OF 2					

9 8 7 6 5 4 3 2 1

APPLIED MODULE



RELEASE EC NO: SH2015-0045 DRW: WJHUO CHKD: APPR: AYIN REV:	2014/04/29 2014/08/26	QUALITY SYMBOLS F _A =0 F _C =0 F _P =0	GENERAL TOLERANCES (UNLESS SPECIFIED) mm INCH 4 PLACES ± --- ± --- 3 PLACES ± --- ± --- 2 PLACES ± 0.15 ± --- 1 PLACE ± 0.20 ± --- ANGULAR ± 3°	DIMENSION STYLE MM ONLY	SCALE 10:1	DESIGN UNITS METRIC	THIRD ANGLE PROJECTION	
	DRAWN BY WJHUO	DATE 2012/12/10	CHECKED BY DATE	APPROVED BY AYIN	DATE 2013/01/08	TITLE SMIA65 CAMERA SOCKET BOTTOM CONTACT 0.8MM MID-MOUNT		
	MATERIAL NO. 1051631001	DOCUMENT NO. SD-105163-101	MOLEX INCORPORATED			SHEET NO. 2 OF 2		
	DRAFT WHERE APPLICABLE MUST REMAIN WITHIN DIMENSIONS							THIS DRAWING CONTAINS INFORMATION THAT IS PROPRIETARY TO MOLEX INCORPORATED AND SHOULD NOT BE USED WITHOUT WRITTEN PERMISSION