



Chipsmall Limited consists of a professional team with an average of over 10 year of expertise in the distribution of electronic components. Based in Hongkong, we have already established firm and mutual-benefit business relationships with customers from,Europe,America and south Asia,supplying obsolete and hard-to-find components to meet their specific needs.

With the principle of “Quality Parts,Customers Priority,Honest Operation,and Considerate Service”,our business mainly focus on the distribution of electronic components. Line cards we deal with include Microchip,ALPS,ROHM,Xilinx,Pulse,ON,Everlight and Freescale. Main products comprise IC,Modules,Potentiometer,IC Socket,Relay,Connector.Our parts cover such applications as commercial,industrial, and automotives areas.

We are looking forward to setting up business relationship with you and hope to provide you with the best service and solution. Let us make a better world for our industry!



Contact us

Tel: +86-755-8981 8866 Fax: +86-755-8427 6832

Email & Skype: info@chipsmall.com Web: www.chipsmall.com

Address: A1208, Overseas Decoration Building, #122 Zhenhua RD., Futian, Shenzhen, China



F

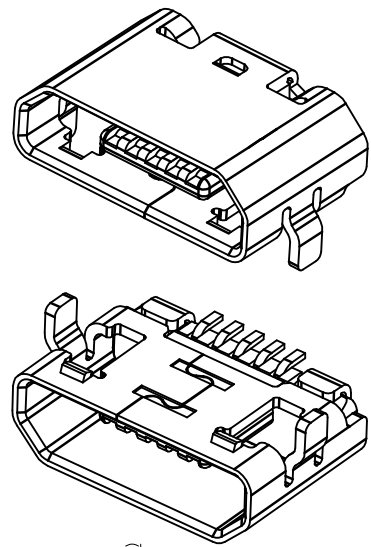
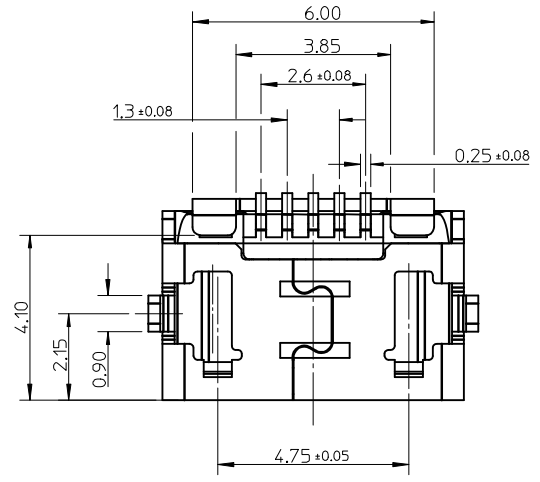
E

D

C

B

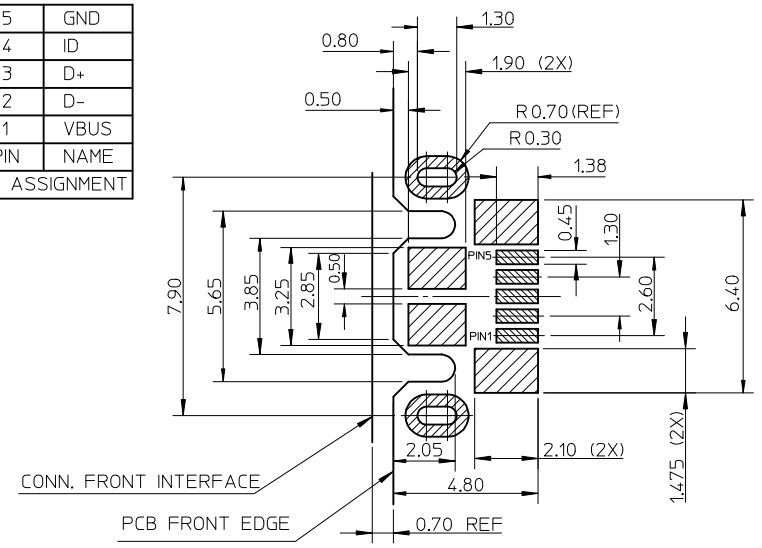
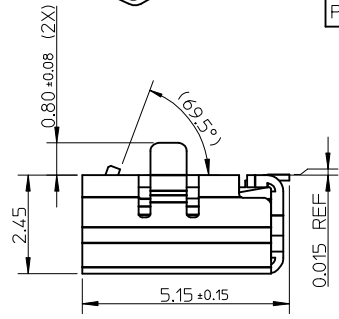
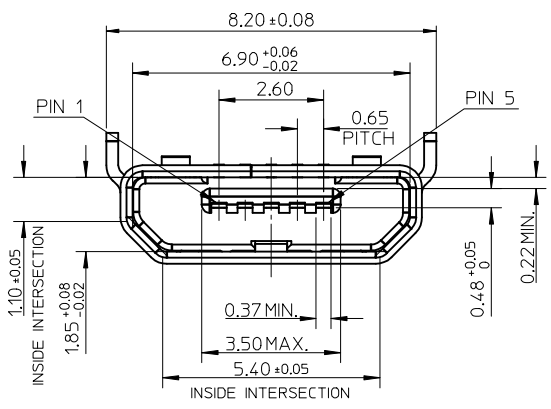
A



5	GND
4	ID
3	D+
2	D-
1	VBUS
PIN	NAME
PIN ASSIGNMENT	

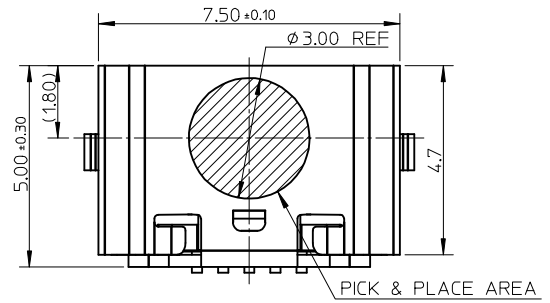
NOTES:

- MATERIAL:
 - HOUSING: LCP, BLACK, UL94V-0
 - TERMINAL: COPPER ALLOY, THICKNESS = 0.15MM
 - SHELL: STAINLESS STEEL, THICKNESS = 0.30MM
- PLATING:
 - TERMINAL:
 - CONTACT AREA: GOLD FLASH OVER 0.75 MICRON MINIMUM Pd/Ni.
 - SOLDER TAIL AREA: GOLD FLASH.
 - UNDER PLATING: NICKEL 2.0 MICRON MINIMUM.
 - SHELL:
 - MATTE TIN 2.0 MICRON MINIMUM.
 - UNDER PLATING: NICKEL 1.27 MICRON MINIMUM.
- TAIL & NAIL COPLANARITY 0.08MM MAXIMUM.
- PRODUCT SPEC: PS-47642-001, PACKAGING SPEC: PK-105164-001.
- COMPLIANT TO RoHS DIRECTIVE 2011/65/EC AND ELV 2000/53/EC.



RECOMMENDED P.C.B. PATTERN LAYOUT

GENERAL TOLERANCE : ±0.05MM



REVISED	DESCRIPTION
EC NO: SH2016-0313	2016/05/24
DRWN:XZHZHANG	2016/06/01
CHKD:XZHZHANG	2016/06/01
APPR:AYIN	2016/06/02

QUALITY SYMBOLS	DESCRIPTION
▽E=0	
▽E=0	
▽E=0	

GENERAL TOLERANCES (UNLESS SPECIFIED)	mm	INCH
4 PLACES	± ---	± ---
3 PLACES	± ---	± ---
2 PLACES	± 0.25	± ---
1 PLACE	± 0.25	± ---
0 PLACE	± ---	± ---
ANGULAR ± 3 °		
DRAFT WHERE APPLICABLE MUST REMAIN WITHIN DIMENSIONS		

DIMENSION STYLE		SCALE	DESIGN UNITS	THIRD ANGLE PROJECTION
MM ONLY		8:1	METRIC	☉ □
DRAWN BY	DATE	TITLE		
XJSONG	2010/07/26	MICRO USB B RECEPTACLE TOP MOUNT FLANGELESS		
CHECKED BY	DATE			
XJSONG	2010/07/26			
APPROVED BY	DATE			
AYIN	2013/04/16			
MATERIAL NO.		DOCUMENT NO.	SHEET NO.	
105164-0001		SD-105164-001	1 OF 1	

<p>molex</p>				
<p>THIS DRAWING CONTAINS INFORMATION THAT IS PROPRIETARY TO MOLEX INCORPORATED AND SHOULD NOT BE USED WITHOUT WRITTEN PERMISSION</p>				