



Chipsmall Limited consists of a professional team with an average of over 10 year of expertise in the distribution of electronic components. Based in Hongkong, we have already established firm and mutual-benefit business relationships with customers from,Europe,America and south Asia,supplying obsolete and hard-to-find components to meet their specific needs.

With the principle of “Quality Parts,Customers Priority,Honest Operation,and Considerate Service”,our business mainly focus on the distribution of electronic components. Line cards we deal with include Microchip,ALPS,ROHM,Xilinx,Pulse,ON,Everlight and Freescale. Main products comprise IC,Modules,Potentiometer,IC Socket,Relay,Connector.Our parts cover such applications as commercial,industrial, and automotives areas.

We are looking forward to setting up business relationship with you and hope to provide you with the best service and solution. Let us make a better world for our industry!



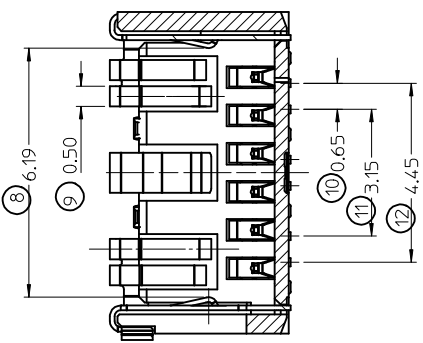
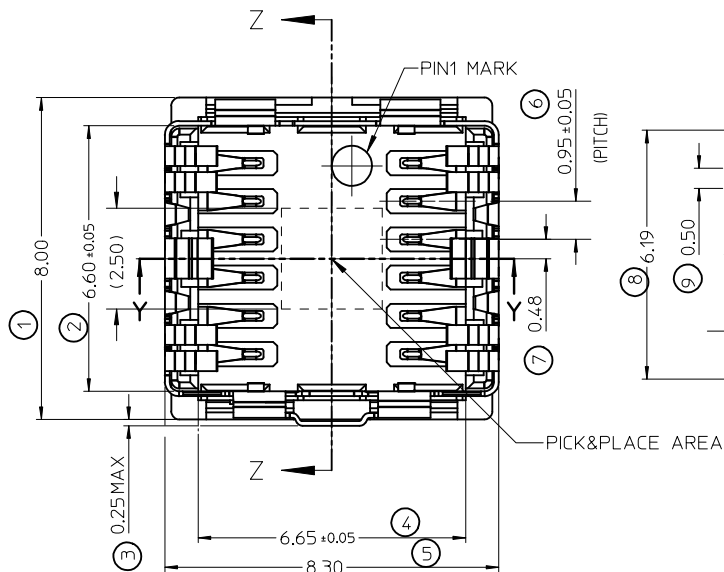
Contact us

Tel: +86-755-8981 8866 Fax: +86-755-8427 6832

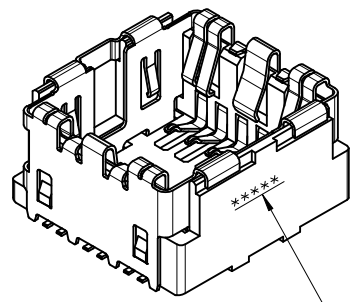
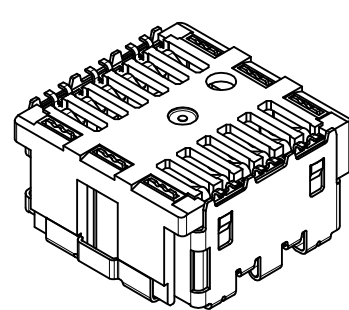
Email & Skype: info@chipsmall.com Web: www.chipsmall.com

Address: A1208, Overseas Decoration Building, #122 Zhenhua RD., Futian, Shenzhen, China

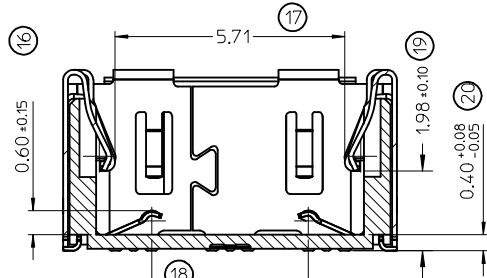
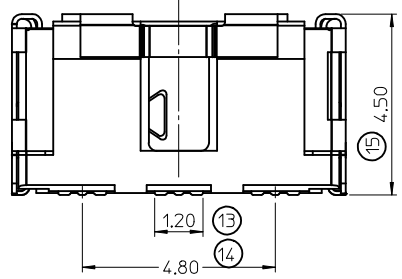




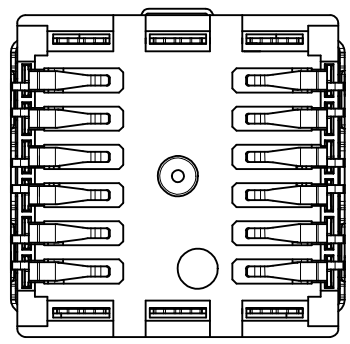
SECTION Z-Z



DATE CODE *****



SECTION Y-Y



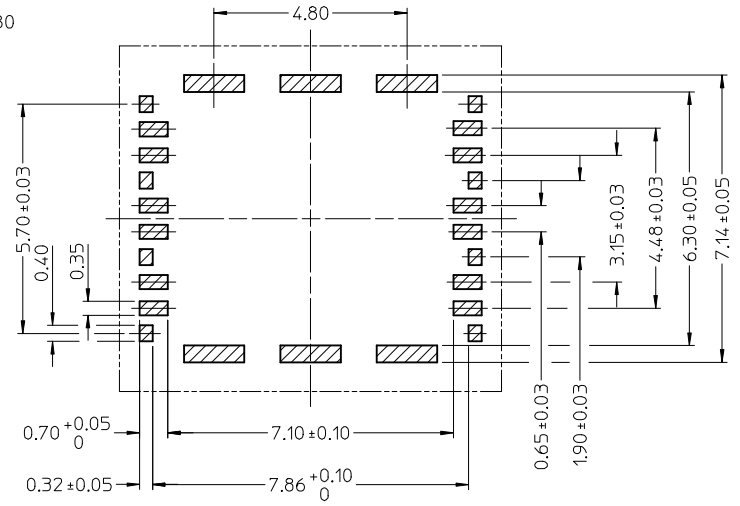
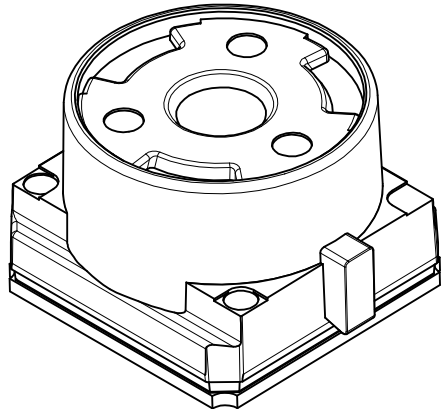
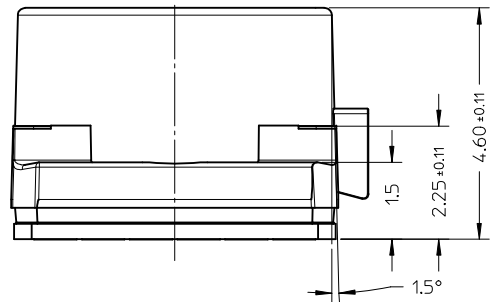
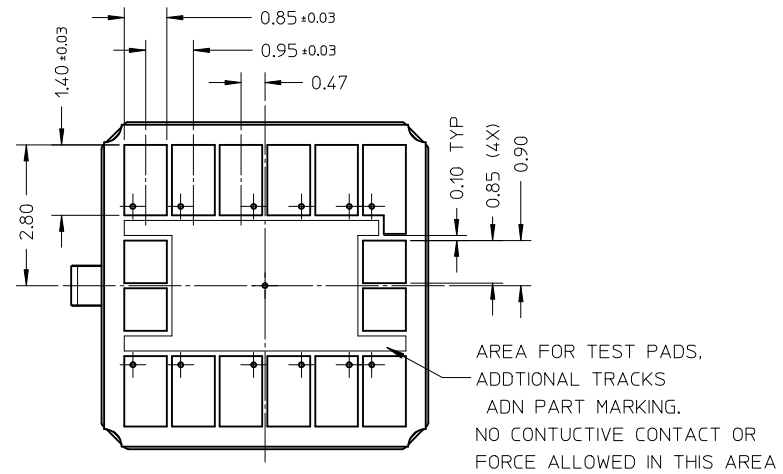
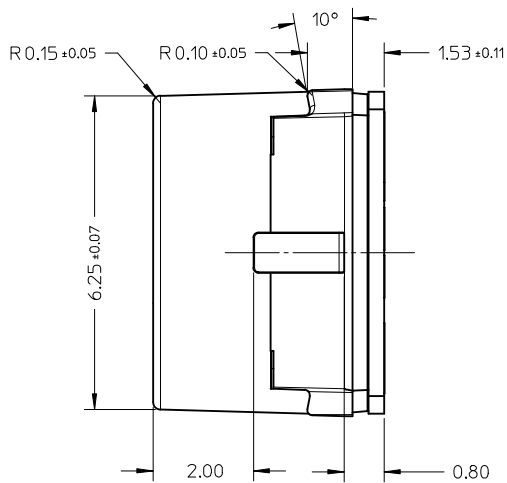
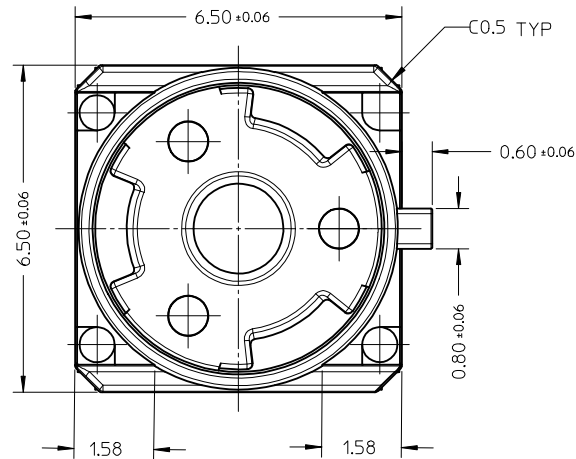
NOTES:

1. MATERIALS
 HOUSING: HIGH TEMPERATURE THERMAL PLASTIC, BLACK,UL94 V-0
 TERMINAL: COPPER ALLOY,THICKNESS:0.10MM
 SHELL: COPPER ALLOY, THICKNESS:0.12MM
2. FINISH
 TERMINAL: 2 MICROMETER MIN NICKEL UNDERPLATING OVERALL,
 GOLD PLATING 0.3 MICROMETER MIN ON CONTACT AREA,
 GOLD FLASH PLATING ON SOLDER AREA.
 SHELL:2 MICROMETER MIN NICKEL UNDERPLATING OVERALL,
 2.5 MICROMETER MIN MATTE TIN PLATING OVERALL
3. PRODUCT SPECIFICATION: PS-105167-001
4. PACKAGE DRAWING: PK-105167-001
5. COPLANARITY:0.08mm MAX. (21)
6. PAKAGING: TAPE&REEL

RELEASED EC NO: SH2013-0176 DRWN:WJHUO 2012/12/10 CHKD: APPR:AYIN 2013/01/08	QUALITY SYMBOLS $F_A=0$ $F_C=0$ $F_P=0$	GENERAL TOLERANCES (UNLESS SPECIFIED)		DIMENSION STYLE	SCALE	DESIGN UNITS	THIRD ANGLE PROJECTION		
				MM ONLY	8:1	METRIC			
				mm	INCH	TITLE			
				6.5X6.5 CAMERA SOCKET BOTTOM CONTACT TOP MOUNT					
2 REV	DESCRIPTION	4 PLACES	± ---	± ---	DRAWN BY	DATE	SD-105167-001		
		3 PLACES	± ---	± ---	WJHUO	2012/12/10			
		2 PLACES	± 0.15	± ---	CHECKED BY	DATE	DOCUMENT NO.		
		1 PLACE	± 0.20	± ---	APPROVED BY	DATE		SHEET NO.	
0 PLACE	± ---	± ---	AYIN	2013/01/08	1 OF 2				
DRAFT WHERE APPLICABLE MUST REMAIN WITHIN DIMENSIONS		ANGULAR ± 3 °		MATERIAL NO.	THIS DRAWING CONTAINS INFORMATION THAT IS PROPRIETARY TO MOLEX INCORPORATED AND SHOULD NOT BE USED WITHOUT WRITTEN PERMISSION				
				SIZE	A3				

10 9 8 7 6 5 4 3 2 1

F
E
D
C
B
A



RECOMMEND PWB LAYOUT
GENERAL TOLERANCE 0.05mm

RELEASED EC NO: SH2013-0176 DRWN: WJHUO 2012/12/10 CHKD: APPR: AYIN 2013/01/08	QUALITY SYMBOLS F=0 F=0 F=0	GENERAL TOLERANCES (UNLESS SPECIFIED)		DIMENSION STYLE MM ONLY	SCALE 10:1	DESIGN UNITS METRIC	THIRD ANGLE PROJECTION
			mm	INCH	DRAWN BY WJHUO	DATE 2012/12/10	TITLE 6.5X6.5 CAMERA SOCKET BOTTOM CONTACT TOP MOUNT
		4 PLACES	± ---	± ---	CHECKED BY	DATE	molex
		3 PLACES	± ---	± ---	APPROVED BY AYIN	DATE 2013/01/08	
2 PLACES	± 0.15	± ---	MATERIAL NO. 9999999999	DOCUMENT NO. SD-105167-001	SHEET NO. 2 OF 2		
1 PLACE	± 0.20	± ---	DRAFT WHERE APPLICABLE MUST REMAIN WITHIN DIMENSIONS				
0 PLACE	± ---	± ---	THIS DRAWING CONTAINS INFORMATION THAT IS PROPRIETARY TO MOLEX INCORPORATED AND SHOULD NOT BE USED WITHOUT WRITTEN PERMISSION				

9 8 7 6 5 4 3 2 1