



Chipsmall Limited consists of a professional team with an average of over 10 year of expertise in the distribution of electronic components. Based in Hongkong, we have already established firm and mutual-benefit business relationships with customers from,Europe,America and south Asia,supplying obsolete and hard-to-find components to meet their specific needs.

With the principle of “Quality Parts,Customers Priority,Honest Operation,and Considerate Service”,our business mainly focus on the distribution of electronic components. Line cards we deal with include Microchip,ALPS,ROHM,Xilinx,Pulse,ON,Everlight and Freescale. Main products comprise IC,Modules,Potentiometer,IC Socket,Relay,Connector.Our parts cover such applications as commercial,industrial, and automotives areas.

We are looking forward to setting up business relationship with you and hope to provide you with the best service and solution. Let us make a better world for our industry!



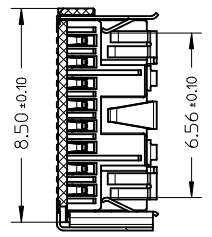
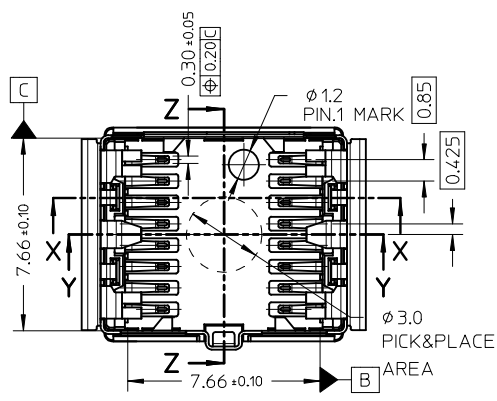
Contact us

Tel: +86-755-8981 8866 Fax: +86-755-8427 6832

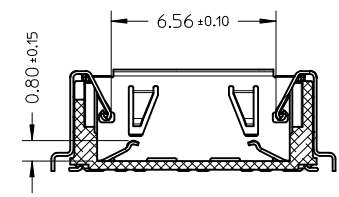
Email & Skype: info@chipsmall.com Web: www.chipsmall.com

Address: A1208, Overseas Decoration Building, #122 Zhenhua RD., Futian, Shenzhen, China

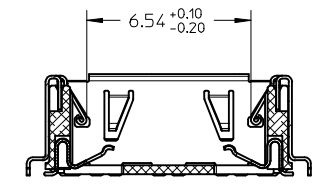
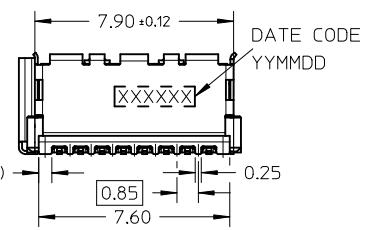
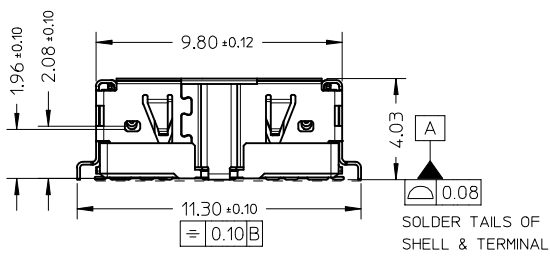
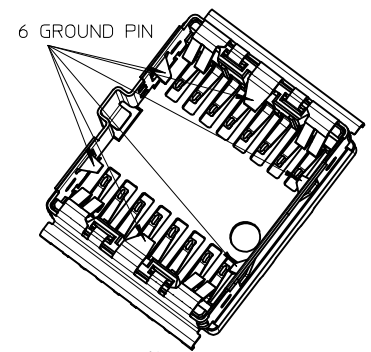




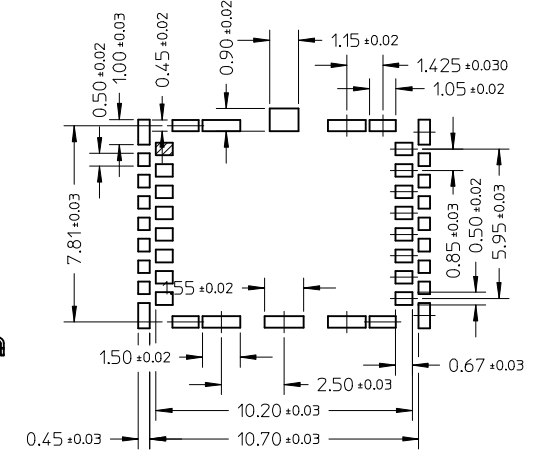
SECTION Z-Z



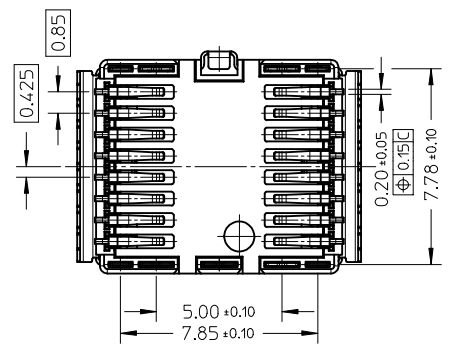
SECTION Y-Y



SECTION X-X



RECOMMENDED PCB LAYOUT
TOLERANCE: 0.03



- NOTES:
1. PRODUCT SPECIFICATION: PS-105190-001
 2. PACKAGE DRAWING: PK-105190-001
 3. COPLANARITY: 0.08mm MAX.
 4. PAKAGING: TAPE&REEL

3	SHELL	PHOSPHOR BRONZE ALLOY	2.0 MICRO MIN. NICKEL UNDERPLATING OVERALL 0.8-2.8 MICRON BRIGHT TIN PLATING OVERALL	T=0.12mm
2	TERMINAL	PHOSPHOR BRONZE ALLOY	2.0 MICRO MIN. NICKEL UNDERPLATING OVERALL GOLD PLATING 0.3 MICRON Min. ON CONTACT AREA, GOLD FLASH PLATING ON SOLDER AREA.	T=0.12mm
1	HOUSING	HIGH-TEM THERMAL PLASTIC	BLACK	UL94 V-0
NO.	PART NAME	MATERIAL	SURFACE FINISH	REMARK

RELEASED
EC NO: SH2013-0196
DRW: WJHUO
CHKD:
APPR: AYIN
REV 1

DESCRIPTION
2012/12/18
2013/01/08

QUALITY SYMBOLS
F=0
E=0
E=0

GENERAL TOLERANCES (UNLESS SPECIFIED)
mm INCH
4 PLACES ± --- ± ---
3 PLACES ± --- ± ---
2 PLACES ± 0.15 ± ---
1 PLACE ± 0.20 ± ---
0 PLACE ± --- ± ---
ANGULAR ± 3 °
DRAFT WHERE APPLICABLE
MUST REMAIN WITHIN DIMENSIONS

DIMENSION STYLE
MM ONLY
DRAWN BY WJHUO
CHECKED BY WJHUO
APPROVED BY AYIN
DATE 2012/12/18
DATE 2012/12/18
DATE 2013/01/08

SCALE 5:1
DESIGN UNITS METRIC
THIRD ANGLE PROJECTION
TITLE
SD DRAWING
SMIA 75 CAMERA SOCKET
TOP MOUNT
molex
DOCUMENT NO. SD-105190-001
SHEET NO. 1 OF 1
THIS DRAWING CONTAINS INFORMATION THAT IS PROPRIETARY TO MOLEX INCORPORATED AND SHOULD NOT BE USED WITHOUT WRITTEN PERMISSION