



Chipsmall Limited consists of a professional team with an average of over 10 year of expertise in the distribution of electronic components. Based in Hongkong, we have already established firm and mutual-benefit business relationships with customers from,Europe,America and south Asia,supplying obsolete and hard-to-find components to meet their specific needs.

With the principle of "Quality Parts,Customers Priority,Honest Operation,and Considerate Service",our business mainly focus on the distribution of electronic components. Line cards we deal with include Microchip,ALPS,ROHM,Xilinx,Pulse,ON,Everlight and Freescale. Main products comprise IC,Modules,Potentiometer,IC Socket,Relay,Connector.Our parts cover such applications as commercial,industrial, and automotives areas.

We are looking forward to setting up business relationship with you and hope to provide you with the best service and solution. Let us make a better world for our industry!



Contact us

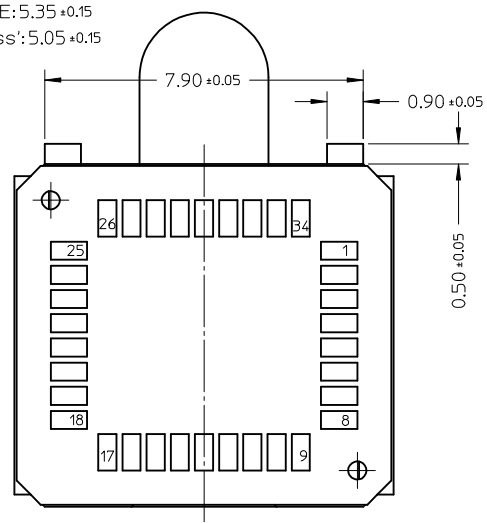
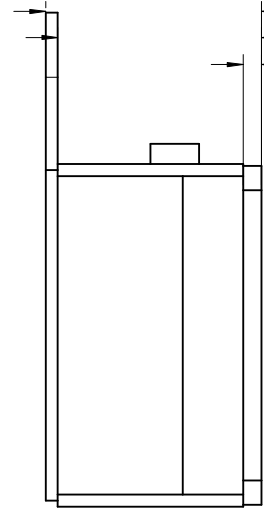
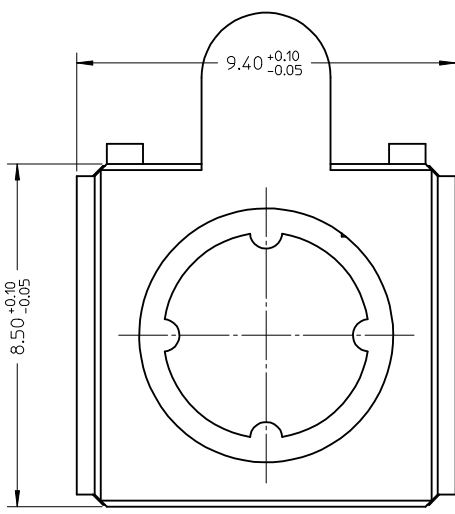
Tel: +86-755-8981 8866 Fax: +86-755-8427 6832

Email & Skype: info@chipsmall.com Web: www.chipsmall.com

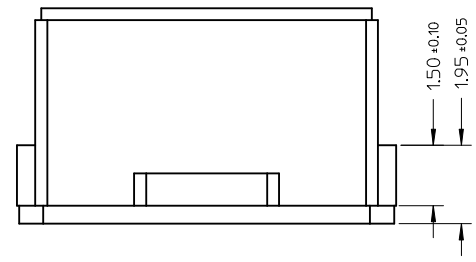
Address: A1208, Overseas Decoration Building, #122 Zhenhua RD., Futian, Shenzhen, China



10 9 8 7 6 5 4 3 2 1



WITH TAPE: 5.35 ± 0.15
 Module Ass': 5.05 ± 0.15
 HPCB 0.45



RELEASED EC NO: SH2013-0473 DRWN: JHUO 2013/06/27 CHKD: APPR: AYIN 2013/07/05	DESCRIPTION 1	QUALITY SYMBOLS	GENERAL TOLERANCES (UNLESS SPECIFIED)		DIMENSION STYLE MM ONLY	SCALE 10:1	DESIGN UNITS METRIC	THIRD ANGLE PROJECTION		
			mm	INCH	DRAWN BY WJHUO	DATE 2013/06/27	TITLE SD DRAWING FOR 8.5 X 9.5 TOP MOUNT CAMERA SOCKET			
			4 PLACES ± ---	± ---	CHECKED BY	DATE				
			3 PLACES ± ---	± ---	APPROVED BY	DATE 2013/07/05	MATERIAL NO. 1051990001			
	2 PLACES ± 0.15	± ---	MATERIAL NO.		DOCUMENT NO. SD-105199-001	SHEET NO. 2 OF 2				
	1 PLACE ± 0.20	± ---	DRAFT WHERE APPLICABLE MUST REMAIN WITHIN DIMENSIONS		THIS DRAWING CONTAINS INFORMATION THAT IS PROPRIETARY TO MOLEX INCORPORATED AND SHOULD NOT BE USED WITHOUT WRITTEN PERMISSION					
	0 PLACE ± ---	± ---	ANGULAR ± 3 °		MOLEX					

9 8 7 6 5 4 3 2 1